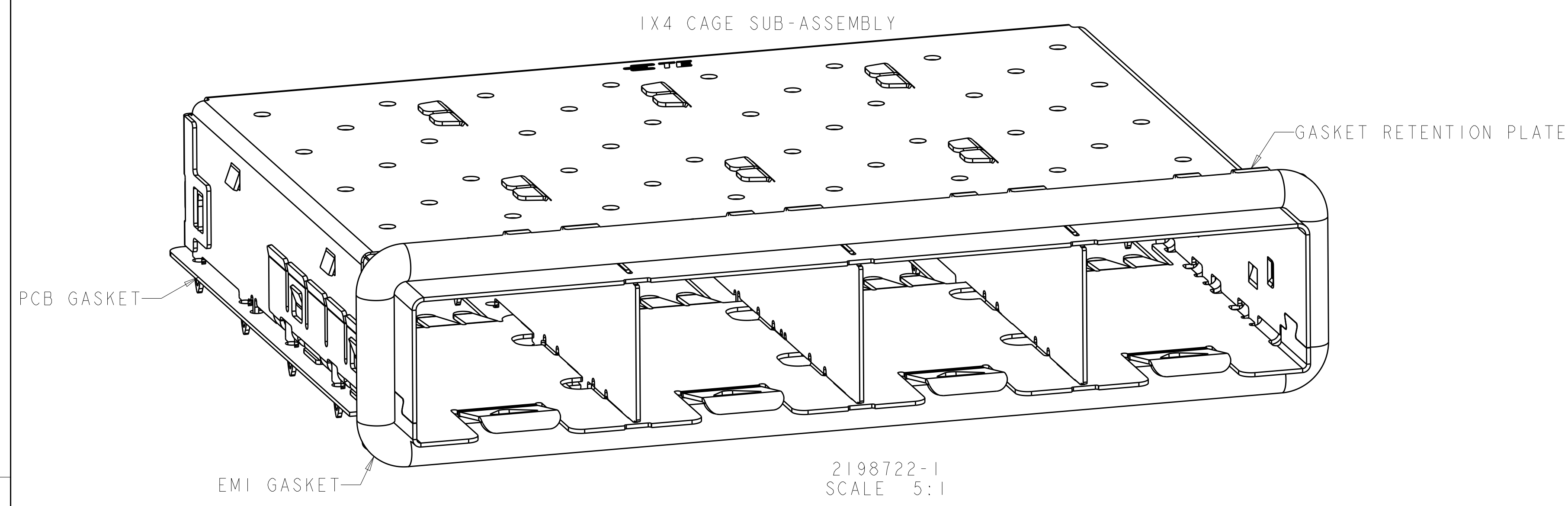
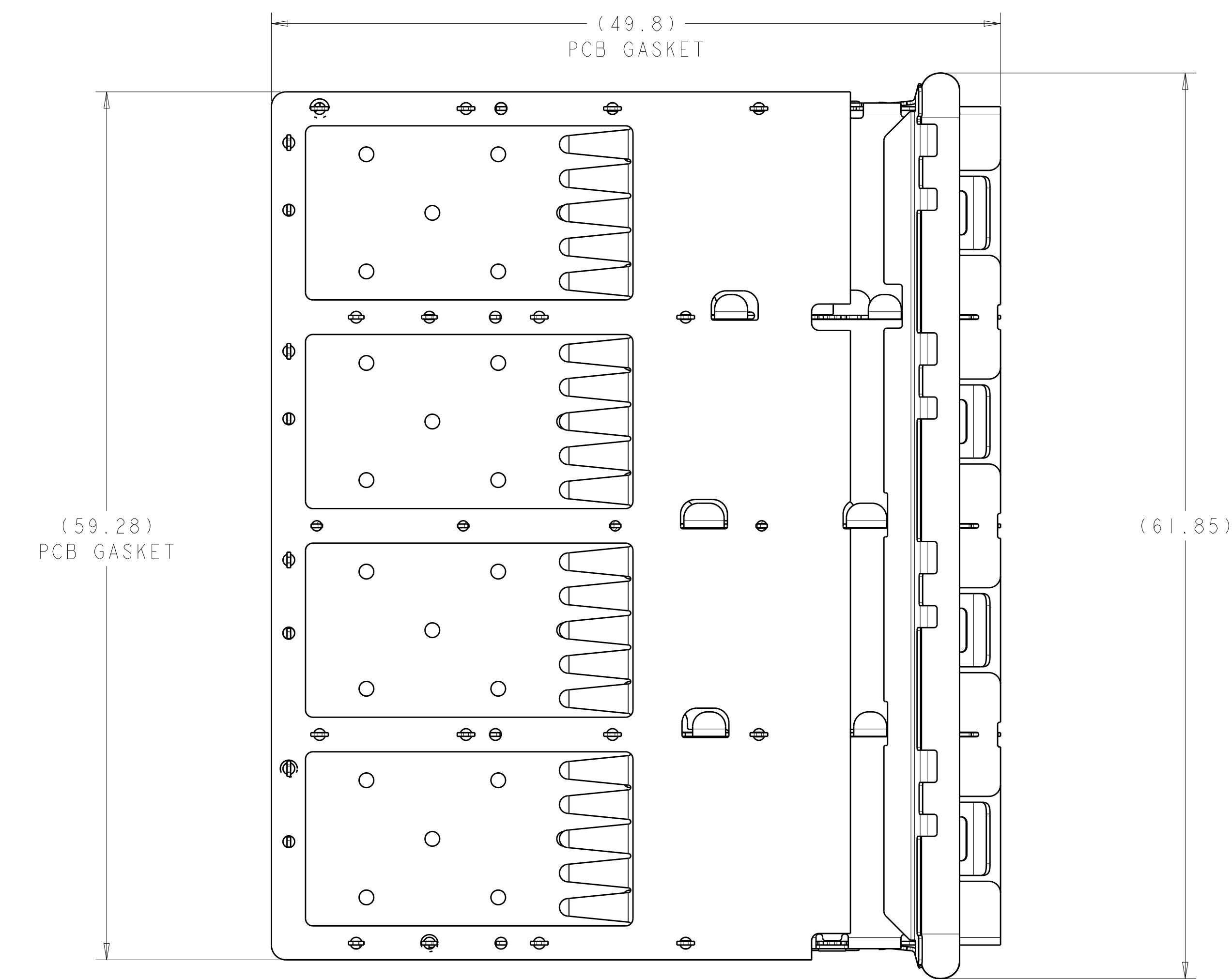
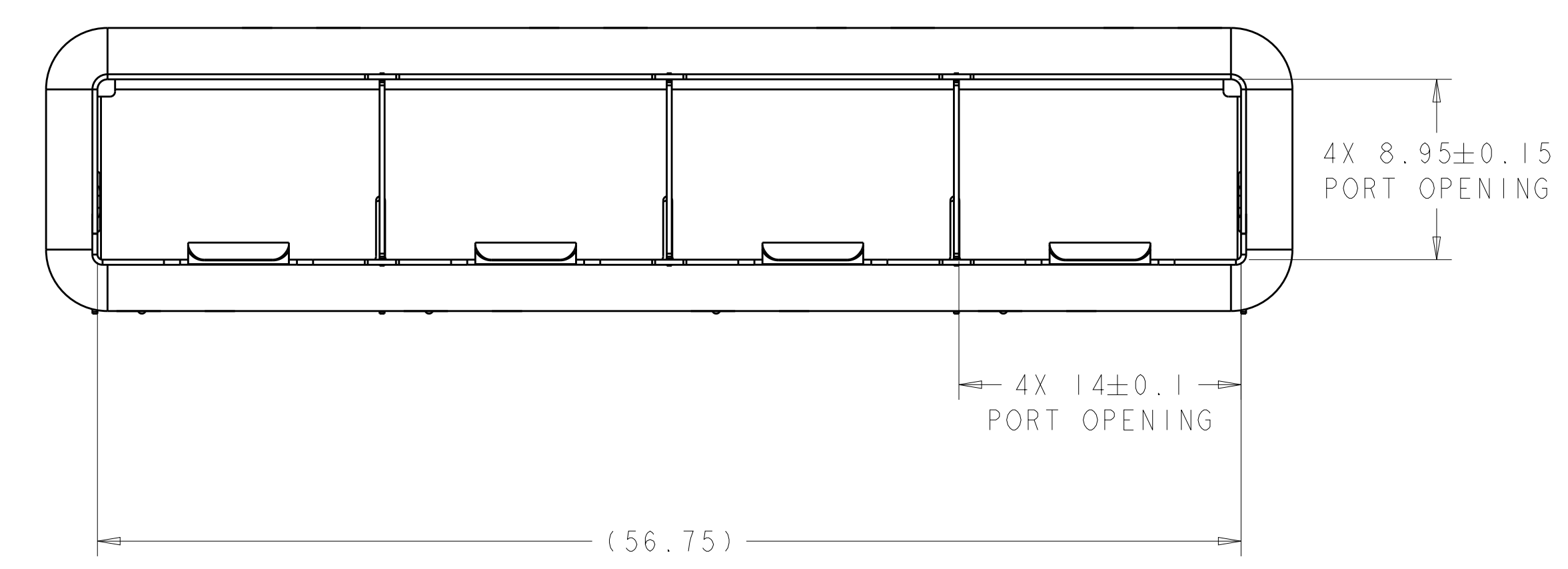
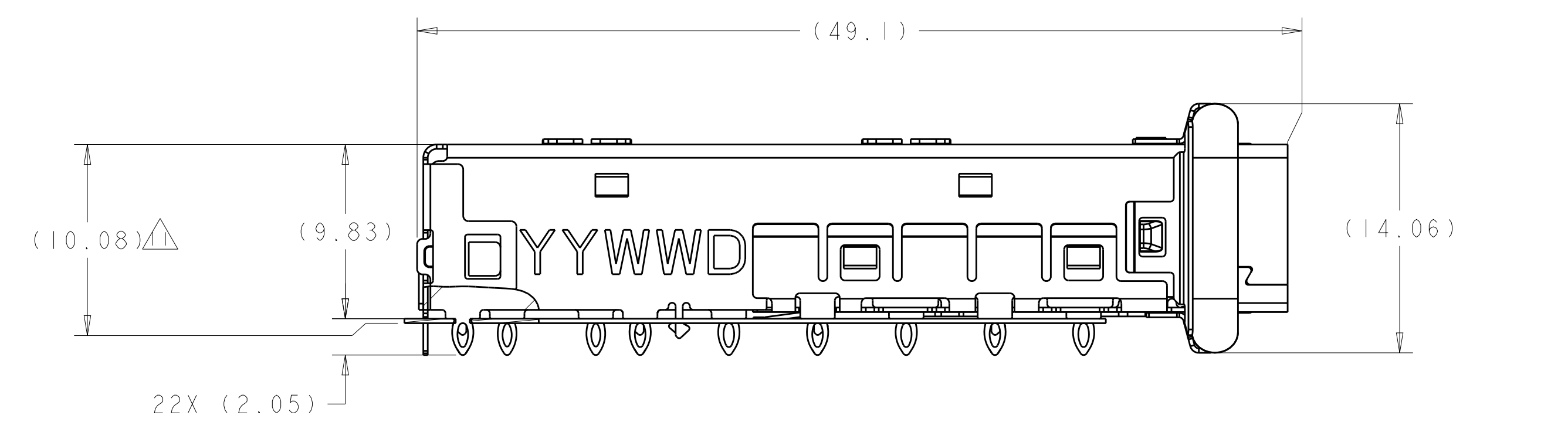


LOC	DIST	REVISIONS					
GP	00	P	LTN	DESCRIPTION	DATE	DWN	APVD
		A		REVISED PER ECO-15-002647	05MAR2015	AP	MS
		B		REVISED PER ECO-16-014593	13FEB2017	JW	SH



- MATERIAL:
 CAGE ASSEMBLY: NICKEL SILVER ALLOY
 GASKET RETENTION PLATE: STAINLESS STEEL
 EMI GASKET: PLATED FILLED SILICONE
 PCB GASKET: RF ABSORBER
- MINIMUM PC BOARD THICKNESS:
 SINGLE SIDED = 1.45mm
 BELLY TO BELLY = 3mm
- PADS AND VIAS CHASSIS GROUND
- DATUM AND BASIC DIMENSION ESTABLISHED BY CUSTOMER
- MATES WITH SFP MSA COMPLIANT TRANSCEIVERS
- INTERPRETATION OF DATUM REFERENCE FRAME IN ACCORDANCE WITH SECT 4.4.1.1 OF ASME Y14.5M-1994
- REFERENCE APPLICATION SPEC. 114-13120, HOLE A, FOR RECOMMENDED DRILL HOLE DIAMETER AND PLATING THICKNESS
- REFERENCE APPLICATION SPEC. 114-13120, HOLE B, FOR RECOMMENDED DRILL HOLE DIAMETER AND PLATING THICKNESS
- HOLE PATTERN REPEATS FOR EACH PORT, SPACING BETWEEN PORTS IS 14.25mm
- PRODUCT COMPLIES WITH SPECIFICATION SFF-8433, IMPROVED PLUGGABLE FORM FACTOR FOR SFP+ GANGED CAGES
- CONTACT STANDOFF WILL PIERCE GASKET WHEN PROPERLY PRESSED INTO PCB.

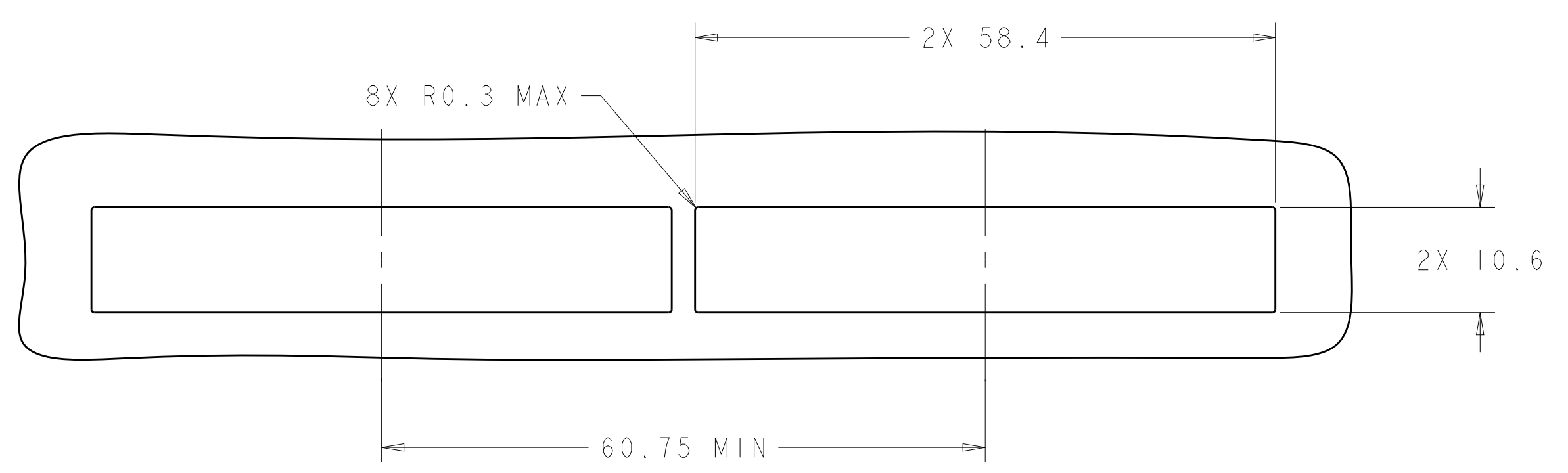


2198722-1
PART NUMBER

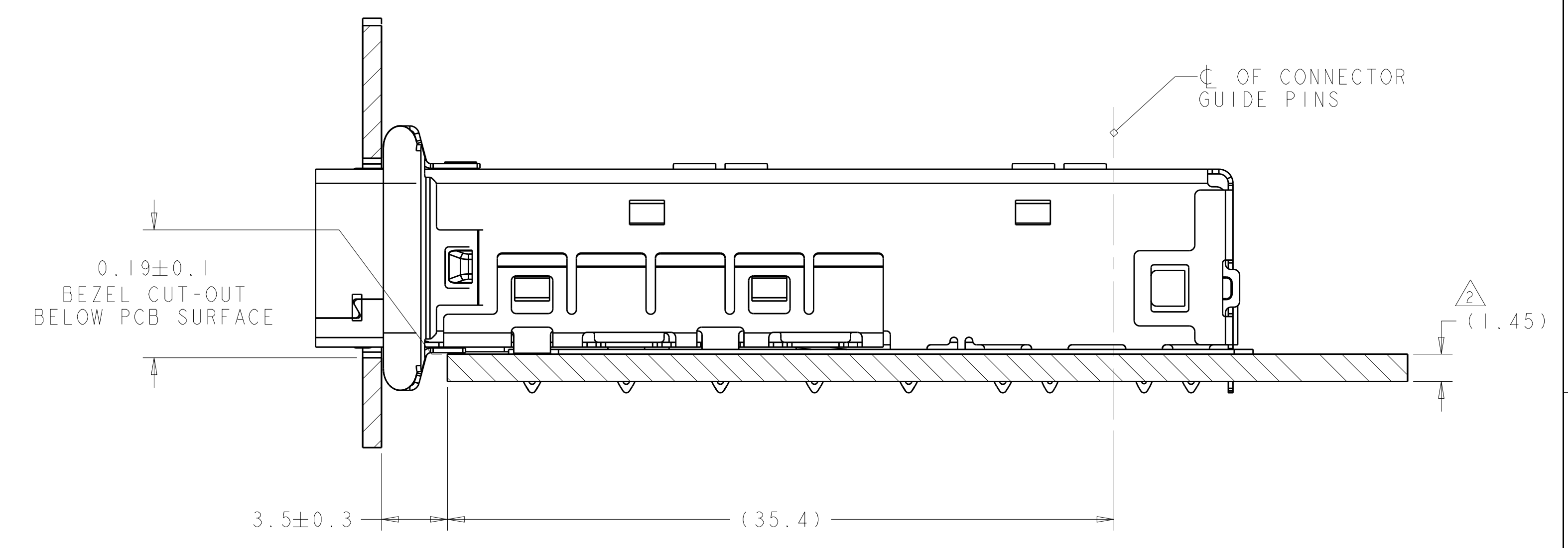
THIS DRAWING IS A CONTROLLED DOCUMENT.		DWN: M.E. CONNER 27DEC2012	TE Connectivity	
DIMENSIONS: mm		CHK: M.D. MORRISON 01FEB2013		
TOLERANCES UNLESS OTHERWISE SPECIFIED:		APVD: M.J. PHILLIPS 01FEB2013	NAME: CAGE ASSEMBLY, ENHANCED, PRESS-FIT, 1X4, zSFP+	
0 PLC ±0.25		PRODUCT SPEC: 108-2364	SIZE: A1	
1 PLC ±0.25		APPLICATION SPEC: 114-13120	CAGE CODE: 00779	
2 PLC ±0.25		WEIGHT: -	DRAWING NO: 2198722	
3 PLC ±0.25		FINISH: -	SCALE: 4:1	
4 PLC ±0.25		Customer Drawing	SHEET 1 OF 4	
ANGLES: ±1°			REV B	

LOC	DIST	REV	DATE	BY	APPV
GP	00				

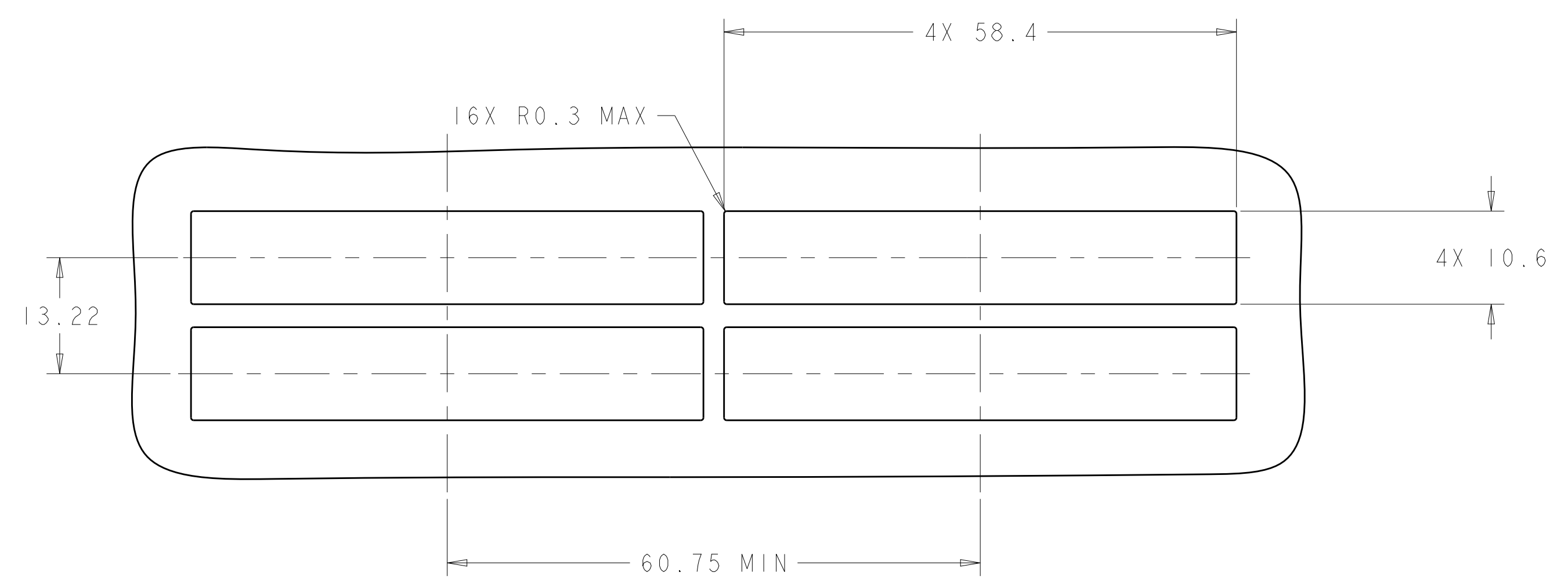
REVISIONS			
NO.	DESCRIPTION	DATE	BY
-	SEE SHEET 1	-	-



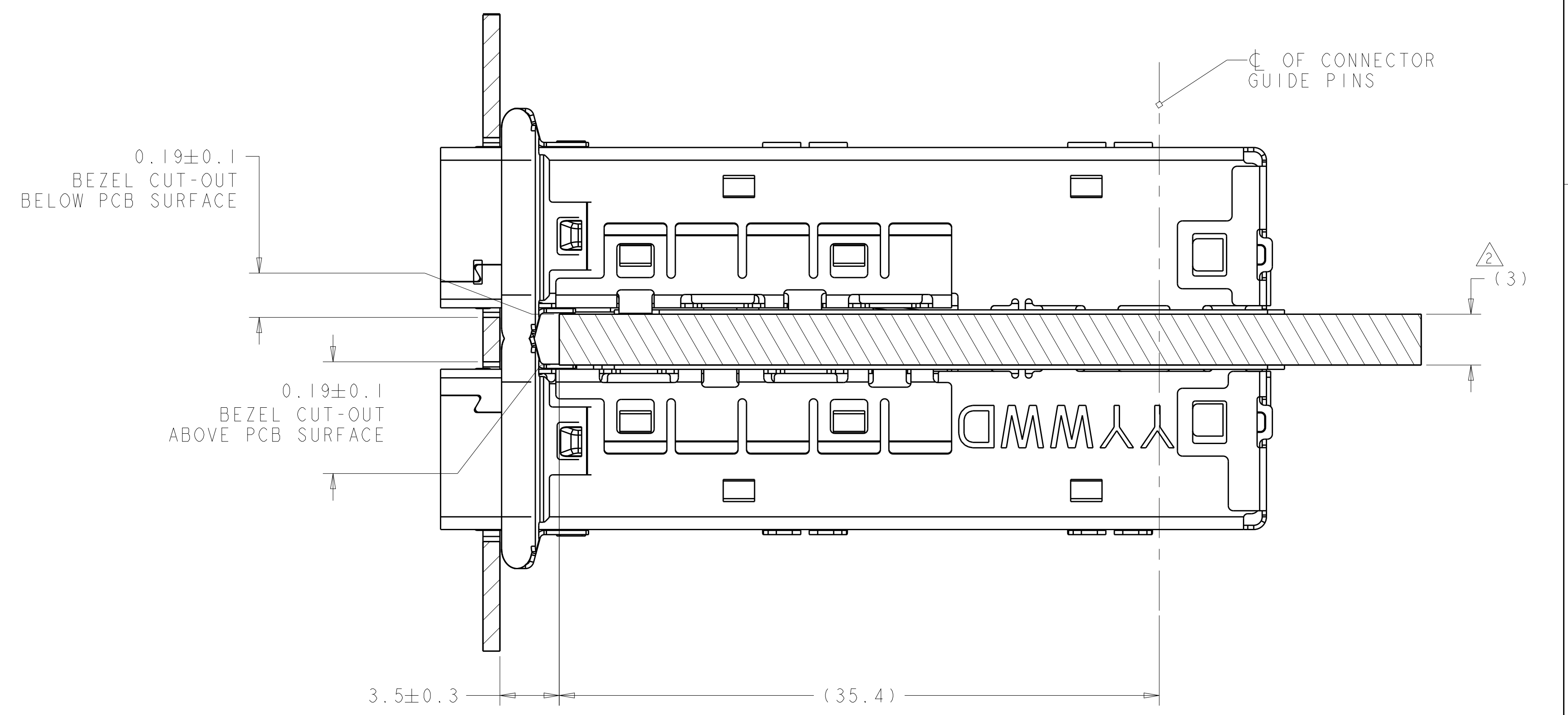
RECOMMENDED BEZEL OPENING
 SINGLE SIDED APPLICATIONS
 SCALE 2:1



MOUNTED ON PC BOARD
 SHOWN THRU RECOMMENDED BEZEL
 SCALE 5:1



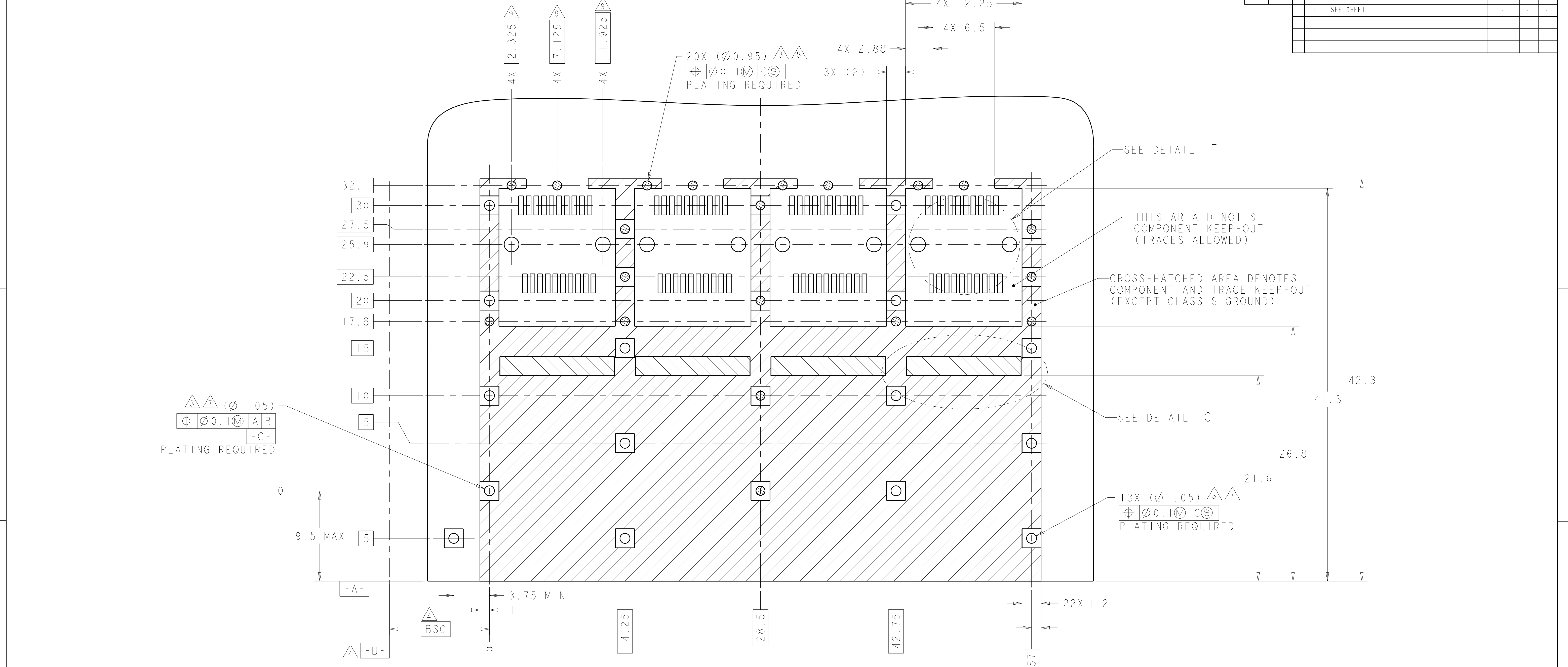
RECOMMENDED BEZEL OPENING
 BELLY TO BELLY APPLICATIONS
 SCALE 2:1



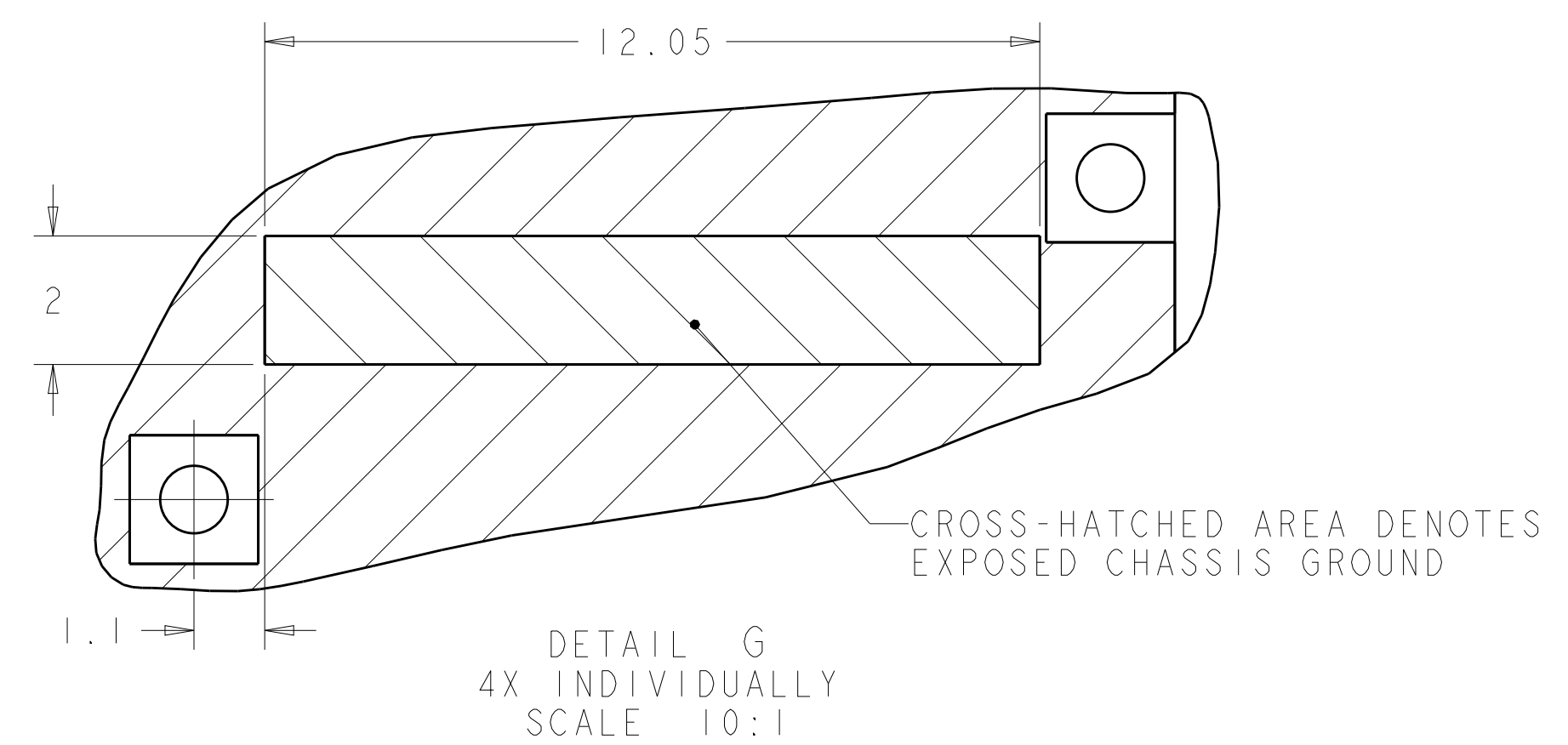
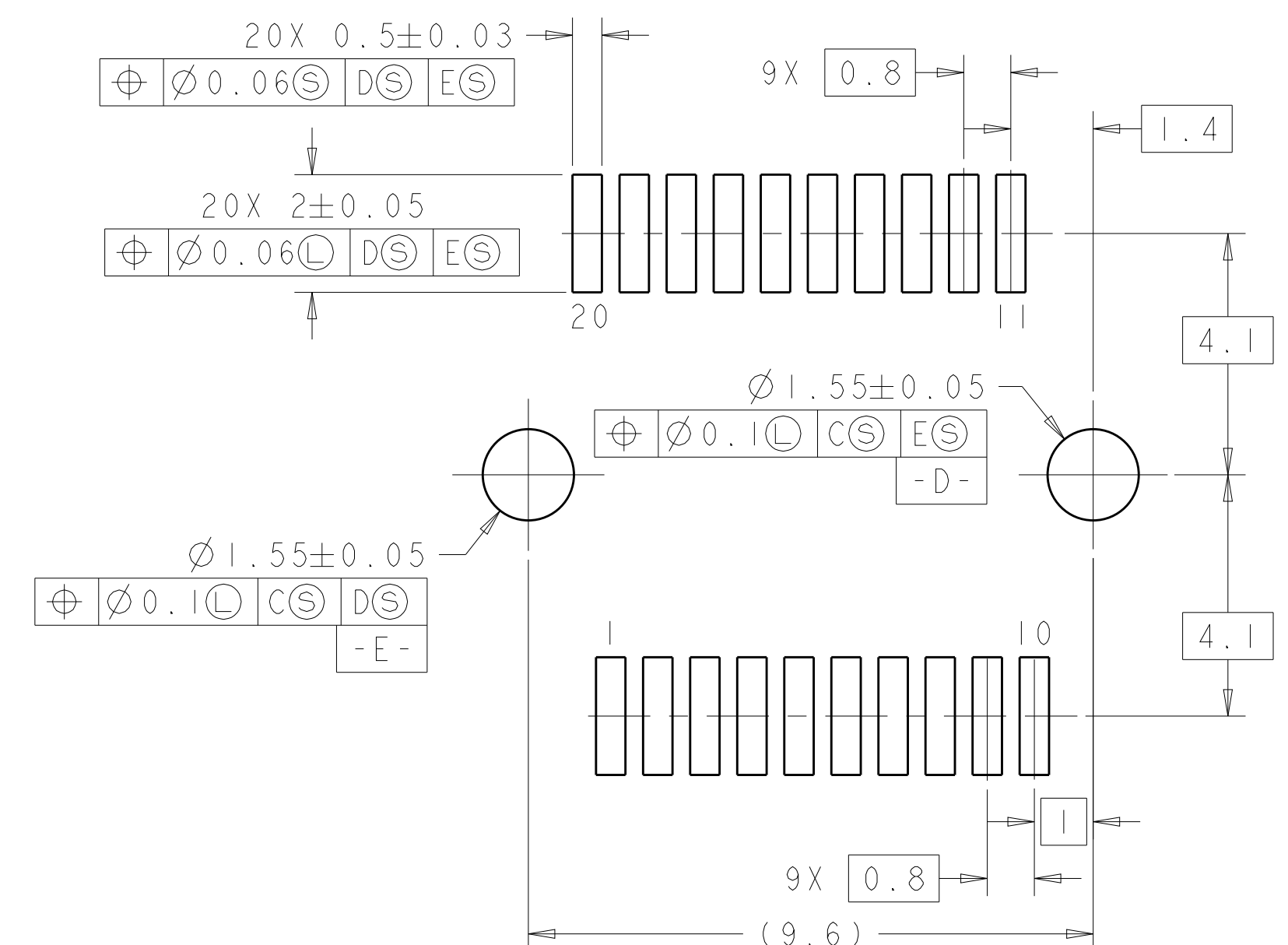
MOUNTED BELLY TO BELLY ON PC BOARD
 SHOWN THRU RECOMMENDED BEZEL
 SCALE 5:1

THIS DRAWING IS A CONTROLLED DOCUMENT.		OWN: M.E. CONNER 27DEC2012	TE Connectivity
DIMENSIONS: mm		CHK: M.D. MORRISON 01FEB2013	
TOLERANCES UNLESS OTHERWISE SPECIFIED:		APVD: M.J. PHILLIPS 01FEB2013	NAME: CAGE ASSEMBLY, ENHANCED, PRESS-FIT, 1X4, zSFP+
0 PLC ±0.25	1 PLC ±0.25	PRODUCT SPEC 108-2364	SIZE: A100779
2 PLC ±0.25	3 PLC ±0.25	APPLICATION SPEC 114-13120	CAGE CODE: C=2198722
4 PLC ±0.25	ANGLES ±°	WEIGHT	RESTRICTED TO
FINISH		Customer Drawing	SCALE: 5:1 SHEET 2 OF 4 REV B

LOC	DIST	REVISIONS					
GP	00	P.	LTN	DESCRIPTION	DATE	DMN	APVD
		-		SEE SHEET 1			



RECOMMEND PCB CONFIGURATION WITH KEEP-OUT AREAS FOR SINGLE SIDED APPLICATIONS
 SCALE 5:1

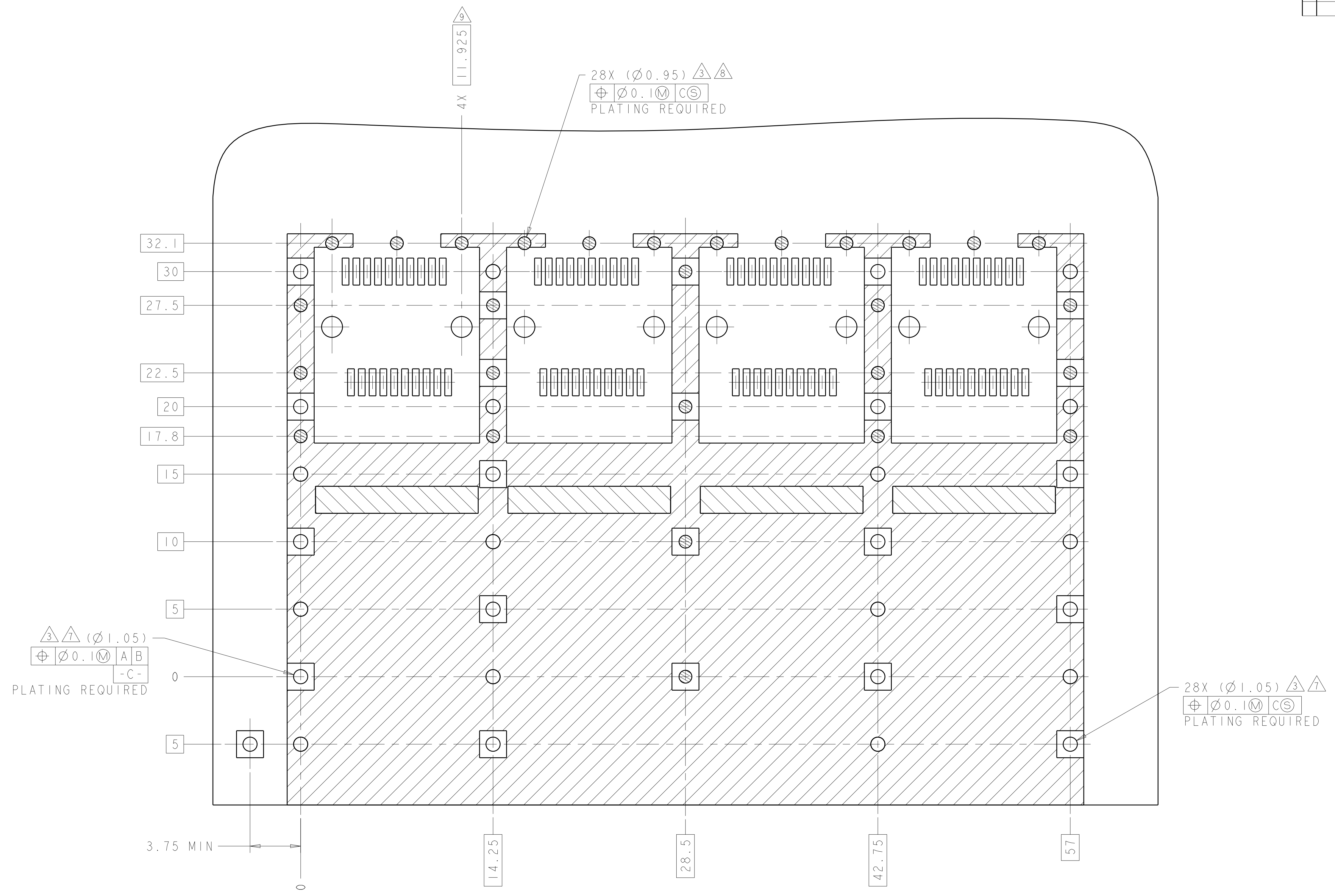


DETAIL F
 4X INDIVIDUALLY
 SCALE 10:1

DETAIL G
 4X INDIVIDUALLY
 SCALE 10:1

THIS DRAWING IS A CONTROLLED DOCUMENT.		DMN M.E. CONNER 27DEC2012	TE Connectivity
DIMENSIONS: mm		CHK M.D. MORRISON 01FEB2013	
TOLERANCES UNLESS OTHERWISE SPECIFIED:		APVD M.J. PHILLIPS 01FEB2013	NAME CAGE ASSEMBLY, ENHANCED, PRESS-FIT, 1X4, zSFP+
0 PLC ±0.1 1 PLC ±0.1 2 PLC ±0.08 3 PLC ±0.05 4 PLC ±*		PRODUCT SPEC 108-2364	SIZE CAGE CODE DRAWING NO. RESTRICTED TO
MATERIAL SEE NOTE 1		APPLICATION SPEC 114-13120	A100779C=2198722
		WEIGHT	SCALE 5:1 SHEET 3 OF 4 REV B
		Customer Drawing	

LOC	DIST	REVISIONS			
P	LTN	DESCRIPTION	DATE	OWN	APVD
-	-	SEE SHEET 1	-	-	-



RECOMMEND PCB CONFIGURATION WITH KEEP-OUT AREAS FOR BELLY TO BELLY APPLICATIONS
 SAME AS SINGLE SIDE APPLICATION, EXCEPT AS SHOWN
 SCALE 6:1

THIS DRAWING IS A CONTROLLED DOCUMENT.		OWN: M.E. CONNER 27DEC2012	TE Connectivity
DIMENSIONS: mm		CHK: M.D. MORRISON 01FEB2013	
TOLERANCES UNLESS OTHERWISE SPECIFIED:		APVD: M.J. PHILLIPS 01FEB2013	NAME: CAGE ASSEMBLY, ENHANCED, PRESS-FIT, 1X4, zSFP+
0 PLC ±0.1	1 PLC ±0.1	PRODUCT SPEC: 108-2364	SIZE: A100779C=2198722
2 PLC ±0.08	3 PLC ±0.05	APPLICATION SPEC: 114-13120	RESTRICTED TO: -
4 PLC ±0.05	ANGLES ±1°	WEIGHT: -	SCALE: 5:1 SHEET 4 OF 4 REV B
MATERIAL: SEE NOTE 1	FINISH: -	Customer Drawing	