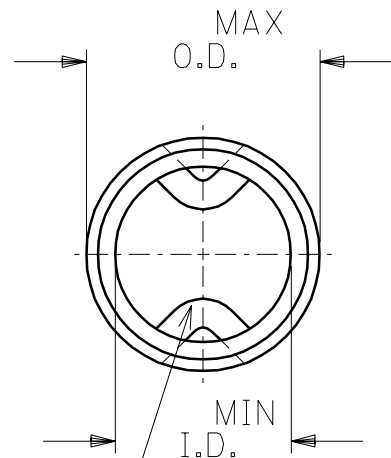
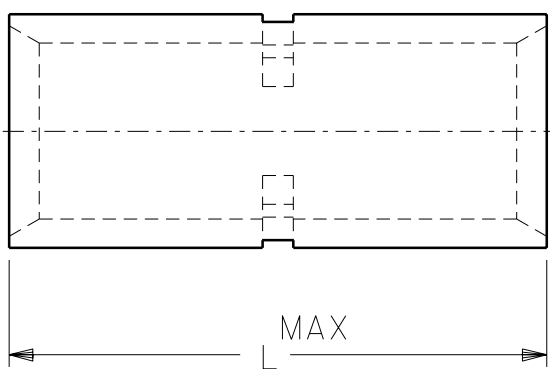


PART NO.	WIRE SIZE	I.D. MIN.	O.D. MAX.	"L" MAX.	WIRE STOP QTY.
D-354	8	.165	.295	.864	ONE
E-362	6	.230	.374	1.045	ONE
F-364	4	.277	.457	1.155	ONE
G-372	2	.357	.538	1.280	ONE
H-383	1/0	.439	.620	1.440	TWO
J-388	2/0	.496	.697	1.440	TWO
K-393	3/0	.554	.760	1.540	TWO
L-378	4/0	.621	.860	1.540	TWO

DRWG. NO. CD-31003



(A)
WIRE STOP SEE CHART FOR QUANTITY

A	ADDED WIRE STOP INFORMATION ETC60355 3/11 RCM
LTR.	REVISIONS

DIMENSIONS SHOWN (METRIC) INCH	
UNLESS OTHERWISE SPECIFIED TOLERANCES: ANGULAR $\pm 1/2^\circ$	
	INCH METRIC
3 PLACE	$\pm .005$ $\pm \text{---}$
2 PLACE	$\pm .01$ ± 0.13
1 PLACE	$\pm \text{---}$ ± 0.25
DRAFT WHERE APPLICABLE MUST REMAIN WITHIN DIMENSIONS	
DRWG. BY RCM	CHK'D. BY JM
APP'D. BY FP	SCALE NO:NE

REVISE ONLY ON CAD SYSTEM			
TITLE VERSAKRIMP BUTT CONNECTORS			
molex ETC INC. PINELLAS PARK, FLA. 33781 U.S.A.		SHEET NO.	DATE 94/03/17
PART NO. SEE CHART		DRWG. NO. CD-31003	
FILE NAME CD13003 CST	THIS DRAWING CONTAINS INFORMATION THAT IS PROPRIETARY TO MOLEX-ETC INC. AND SHOULD NOT BE USED WITHOUT WRITTEN PERMISSION.		DIV. SIZE A