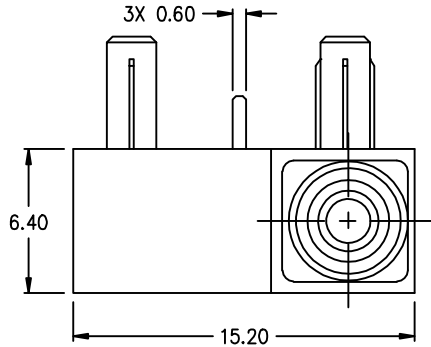
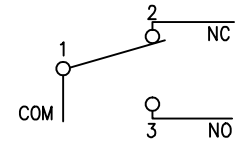


HONEYWELL
PART NUMBER
ZD30S60A05-Z
PRODUCT CODE
FBY4023

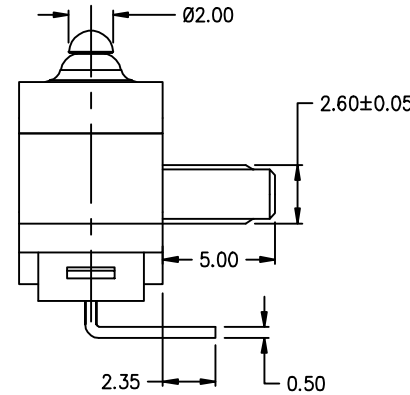
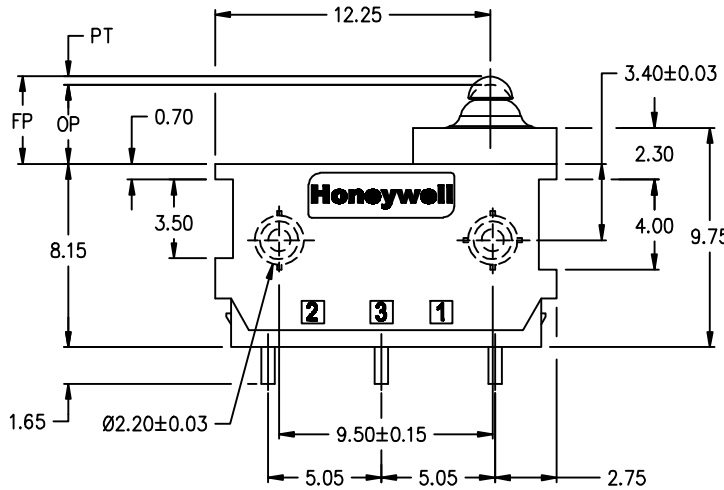
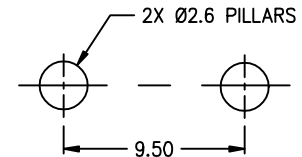
REV	DOCUMENT	CHANGED BY	CHECK
A	0077732	SBH 16JUN11	CMH



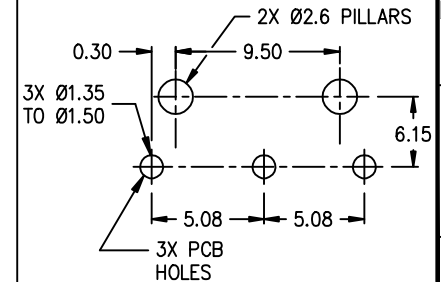
CIRCUIT DIAGRAM



MOUNTING HOLE DIMENSIONS



LEFT/RIGHT PCB TERMINALS MOUNTING HOLE



NOTES:

1. MOUNTING HOLES WILL ACCEPT Ø2.6 MAX PINS.
2. SWITCH PROTECTION IS IP67 IF EXCLUDE THE TERMINALS.

<p>CHARACTERISTICS</p> <p>OPERATING FORCE: 130gf MAX.</p> <p>DIFFERENTIAL FORCE:</p> <p>RELEASE FORCE: 13gf MIN.</p> <p>FREE POSITION:</p> <p>OPERATING POSITION: 6.85±0.2MM.</p> <p>PRE-TRAVEL: 0.8MM MAX.</p> <p>DIFFERENTIAL TRAVEL: 0.2MM.</p> <p>OVER-TRAVEL: 0.8MM MIN.</p> <p>FULL OVERTRAVEL FORCE:</p>	<p>ELECTRICAL DATA</p> <p>CONTACT ARRANGEMENT S.P.D.T. IP00 (SEE NOTE 2)</p> <p>PROTECTION</p> <p>RATINGS</p> <p>0.1A 48VDC 125/250VAC</p> <p>3A 12VDC</p> <p>µ 40T85 1E5</p> <p>0.1A 48VDC 125/250VAC</p> <p>3A 12VDC</p>	<p>DESIGN UNITS: MM</p> <p>TOLERANCES UNLESS NOTED:</p> <p>NO PLACES X ± -</p> <p>ONE PLACE .X ± -</p> <p>TWO PLACE .XX ± 0.40</p> <p>THREE PLACE .XXX ± -</p> <p>ANGLES X ± 2'</p> <p>THIRD ANGLE PROJECTION</p>	<p>DRAWN SBH 25MAY11</p>	<p>SWITCH - BASIC</p>
			<p>CHECK PJ 25MAY11</p>	
<p>THIS DRAWING COVERS A PROPRIETARY ITEM AND IS THE PROPERTY OF HONEYWELL. THIS DRAWING IS NOT TO BE COPIED OR USED WITHOUT THE PERMISSION OF HONEYWELL.</p>			<p>TITLE</p>	
<p>INTERPRET PER ASME Y14.5M-1994 OTHER HONEYWELL ENGINEERING STANDARDS MAY APPLY</p>			<p>SIZE TYPE CAGE CODE DRAWING NAME</p> <p>A3 1 - ZD30S60A05-Z</p>	
<p>AUTOCAD 2D</p>			<p>SCALE NONE SHEET 1 OF 1</p>	