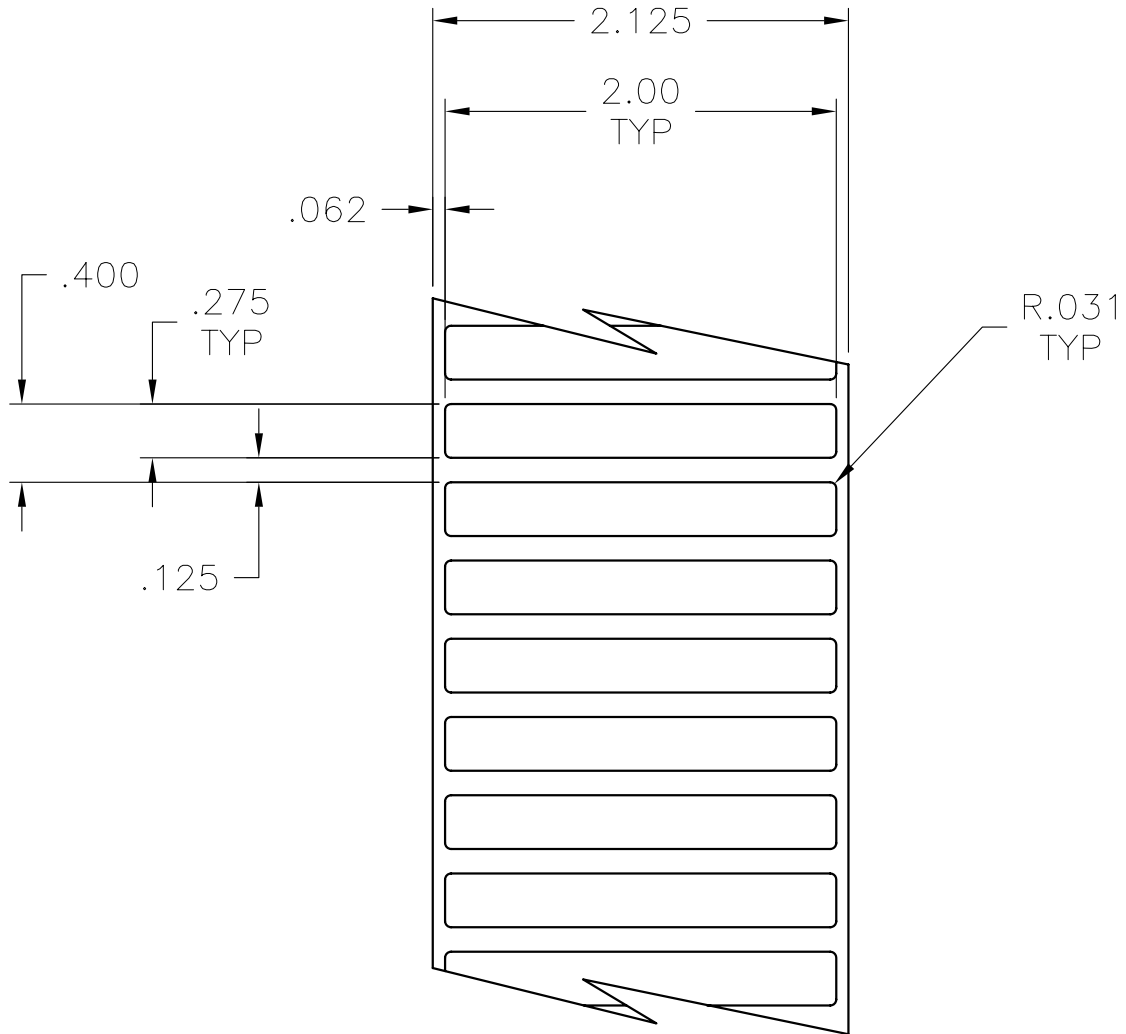


PRO-TEK

name	date	city, state

NOTES



10000 LABELS PER ROLL  
1 ACROSS ON A 3" CORE

REVISION	DRAWING	level	$\triangle 01$
	DATE	12/02/04	
	BY	AAC	
	ECN #	010077	
	part level	-	

DIMENSIONS	TOLERANCES	.XXXX = $\pm .0005$
		.XXX = $\pm .005$
		.XX = $\pm .01$
		.X = $\pm .03$
		$\angle = \pm 0.5^\circ$
	unless otherwise specified	
	units	inches

PART	number	TAG69T1-336	phase	PRODUCTION
	name	TAG69T1-336 THERMAL TRANSFER BLANK LABEL		
	material	336 WHITE POLYESTER		

DRAWING	FORMAT	AV	version	M	CAD	ACAD	scale	1X
	computer file number	LA\DTL\3002079_01		previous number				
	drawn	A.A.C.	checked	K.A.C.	approved			
	12/01/04		12/02/04				sheet	1 of 1
	type	DETAIL						
	number	LA3002079DTL						