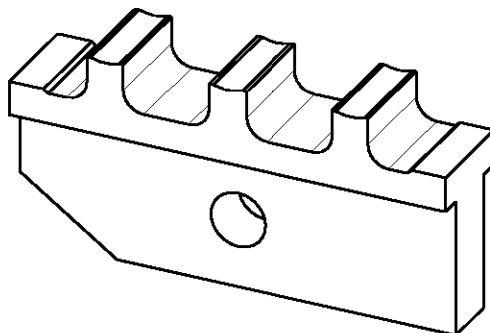
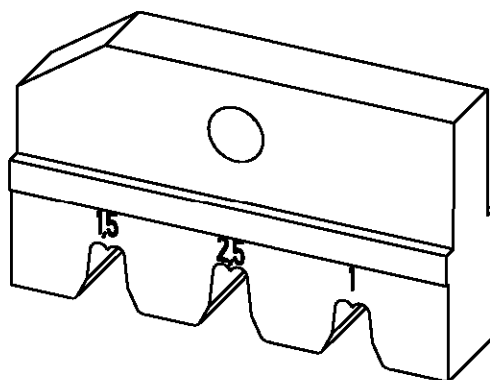


LOC	DIST	REVISIONS			
P	LTR	DESCRIPTION	DATE	DWN	APVD
A1	-				
	A	new drawing	11FEB2002	-	-

Kontakt Contact	DGB (mm <sup>2</sup> ) Wire Range	Drahtcrimp/Wirecrimp		Betriebsanl. Instr. Sheet
		Hoehe/Height	Breite/Width	
926824	1.0	1.55	2.54	411-18111
	1.5	1.73		
	2.5	2.09		



539688-2	1	8-539634-5	screw M4x11	Schraube M4x11	A
	1	0-519151-9	screw M4x10	Schraube M4x10	A
	QTY Stck	PN	Description	Benennung	REV


19

RELEASED FOR PUBLICATION

THIS DRAWING IS UNPUBLISHED.

BY TYCO ELECTRONICS CORPORATION. ALL RIGHTS RESERVED.

© COPYRIGHT 19

DIMENSIONS: mm-DIN 7168-m		DWN M. Weberndorfer 08MAR2000	MATERIAL -	FINISH -	
TOLERANCES UNLESS OTHERWISE SPECIFIED: 0 PLC ± 1 PLC ± 2 PLC ± 3 PLC ± 4 PLC ± ANGLES ±		CHK U. Reuter 08MAR2000	 tyco Electronics AMP GmbH D - 64625 Bensheim		
		APVD -			
PRODUCT SPEC -		NAME ERGOCRIMP Die Set for AM-Wire Pin			
APPLICATION SPEC -		SIZE A4	CAGE CODE 00779	DRAWING NO C=539688-2	RESTRICTED TO -
WEIGHT -		CUSTOMER DRAWING			SCALE 2:1
		SHEET 1 OF 1		REV A	