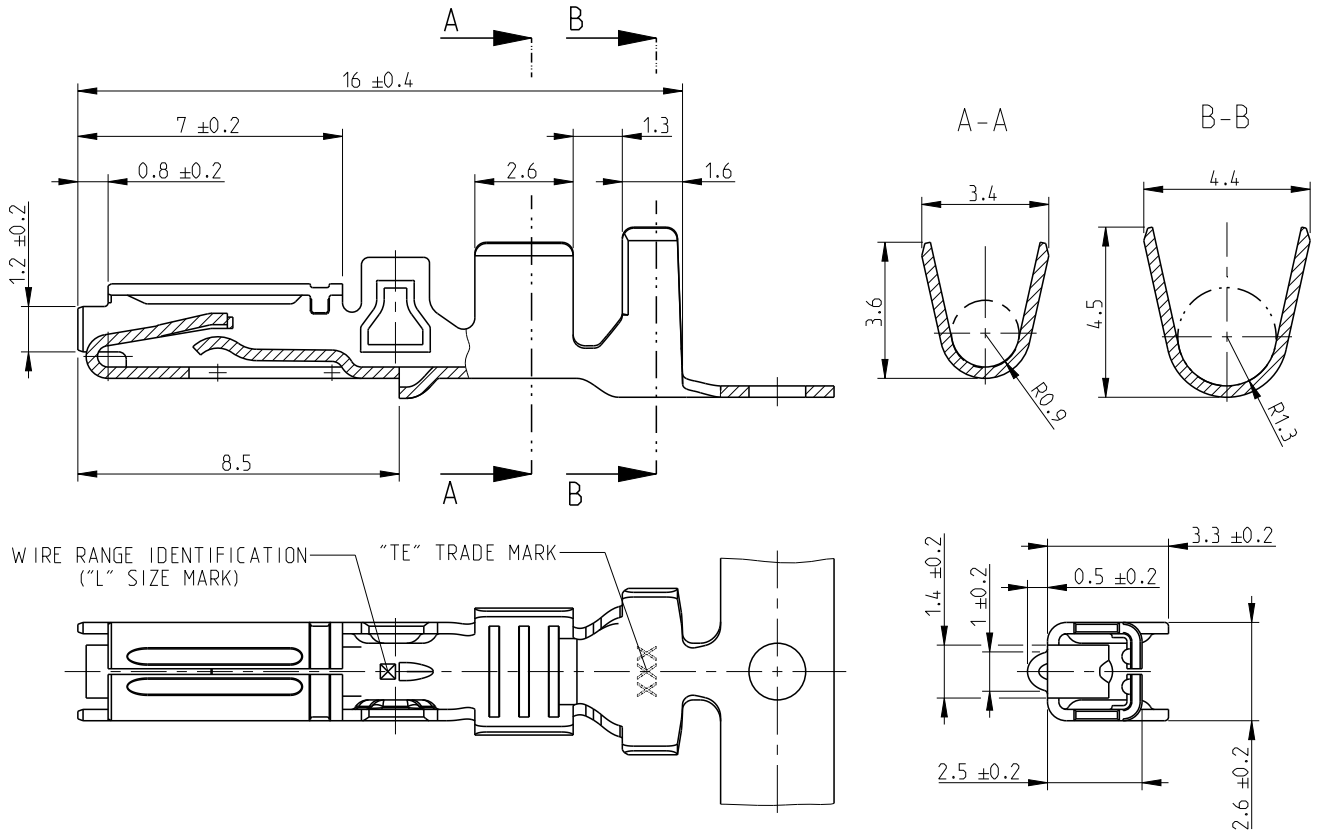


REVISIONS					
P	LTR	DESCRIPTION	DATE	DWN	APVD
	A3	Redrawn to Creo	09MAR2017	JJH	JP



1. DELIVERY STATE: ITEM IS SUPPLIED REELED ON CARTON REEL WITH STRIP PITCH = 11.9±0.2mm
 STATO DI FORNITURA: AVVOLTI SU BOBINA CON PASSO TRA TERMINALI DI = 11.9±0.2mm

CUSTOMER DRAWING FOR INFORMATION ONLY
 DISEGNO PER CLIENTE SOLO PER RIFERIMENTO

THIS DRAWING IS UNPUBLISHED. BY - ALL RIGHTS RESERVED. COPYRIGHT © 2017 TE CONNECTIVITY

INS. DIA. RANGE (DIAM. ISOLANTE)	WIRE RANGE (RANGO FILO)
∅2.5 - 3.0mm	>1.5 - 2.5mm ²

PRE-TIN (PRE-STAGNATO)	BRONZO FOSF. (PHOS. BRONZE)	284166-2
PRE-TIN (PRE-STAGNATO)	BRASS (OTTONE)	284166-1
FINISH/COLOUR (FINITURE/COLORE)	MATERIAL (MATERIALE)	PART NUMBER

DIMENSIONS: mm	DWN D. BISETTI 06OCT1998	MATERIAL -	FINISH -										
TOLERANCES UNLESS OTHERWISE SPECIFIED:	CHK Q. CANUTO 06OCT1998	TE Connectivity											
<table border="1"> <tr> <td>∅ PLC</td> <td>±</td> </tr> <tr> <td>1 PLC</td> <td>±</td> </tr> <tr> <td>2 PLC</td> <td>±</td> </tr> <tr> <td>3 PLC</td> <td>±</td> </tr> <tr> <td>4 PLC</td> <td>±</td> </tr> </table> ±0.3	∅ PLC			±	1 PLC	±	2 PLC	±	3 PLC	±	4 PLC	±	APVD -
∅ PLC	±												
1 PLC	±												
2 PLC	±												
3 PLC	±												
4 PLC	±												
<table border="1"> <tr> <td>ANGLES</td> <td>±2°</td> </tr> </table>	ANGLES	±2°	PRODUCT SPEC 108-20175	SIZE A4	CAGE CODE -	DRAWING NO C=284166	RESTRICTED TO -						
ANGLES	±2°												
	APPLICATION SPEC 114-20098	CUSTOMER DRAWING		SCALE 5:1	SHEET 1 OF 1	REV A3							
	WEIGHT -												