

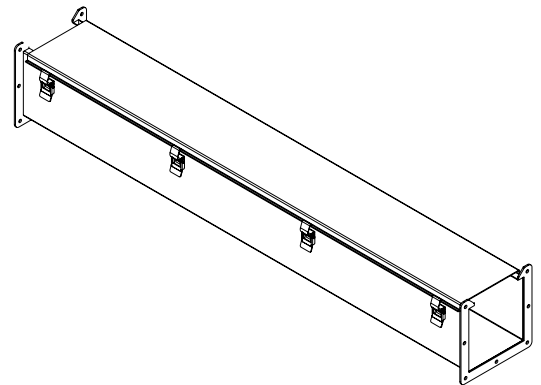


PART No. 1485D48

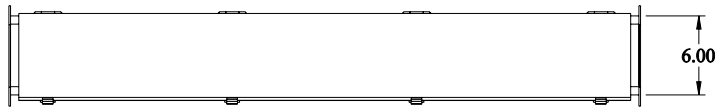
for more information visit
www.hammfg.com

Data subject to change without notice

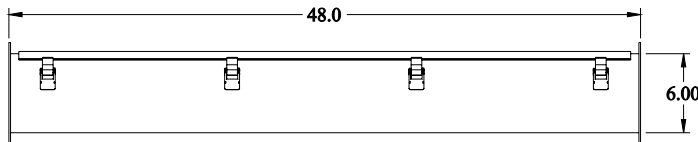
Isometric drawing Not to Scale



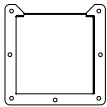
ISOMETRIC VIEW



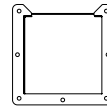
TOP VIEW



FRONT VIEW



SIDE VIEW



SIDE VIEW



BOTTOM VIEW