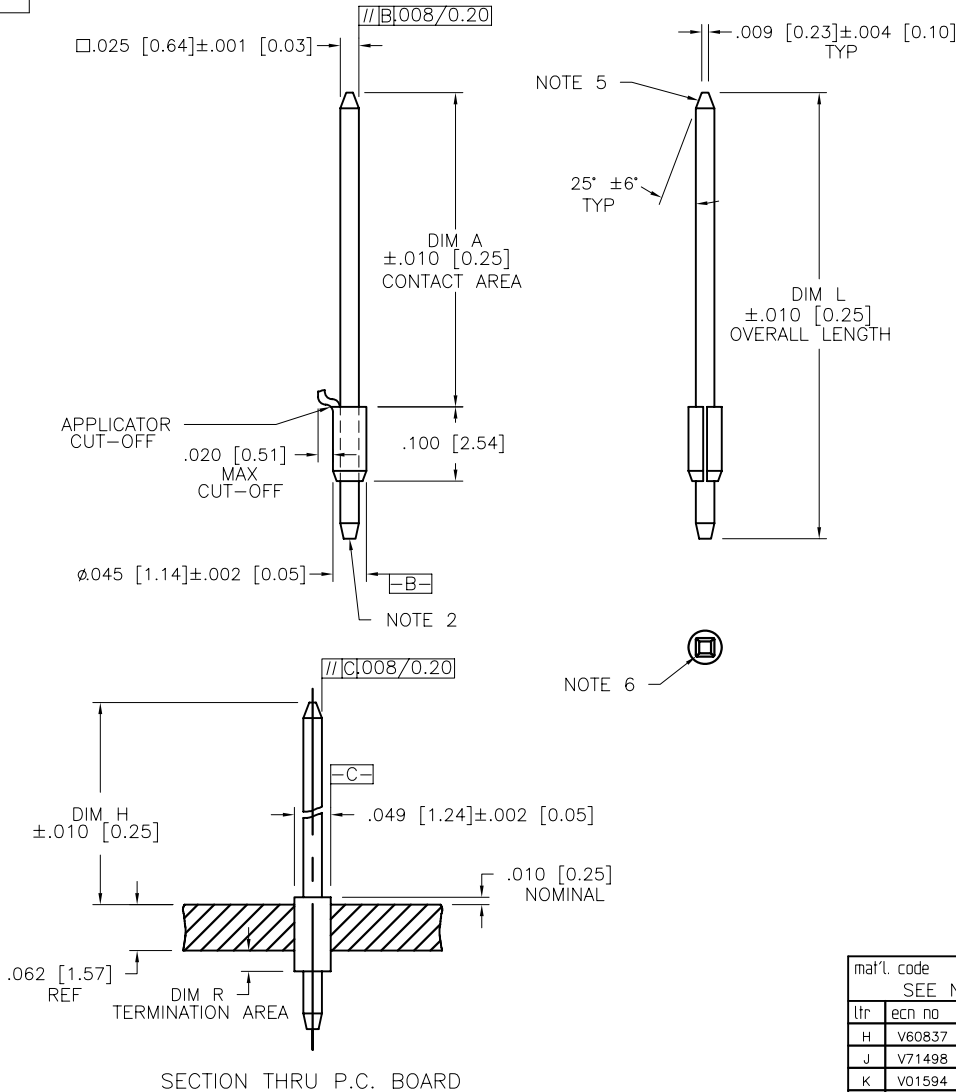


PRODUCT NUMBER  
SEE TABLE



NOTES :

- ①. MATERIAL : POST, 3/4 HD PHOS BRONZE ASTM B-159-66.  
FERRULE, 3/4 HD CARTRIDGE BRASS ASTM B-36-67.
- ②. FLAT MAY GO TO .016 [0.41] MAX WHEN DIM "R" IS UNDER .200 [5.08].
3. SEE PRODUCT SPECIFICATION BUS-12-040 FOR P.C. BOARD HOLE DIAMETER AND P.C. BOARD HOLE PLATING INFORMATION.
4. CENTER LINE OF THE TERMINAL MUST BE IN THE TRUE POSITION IN RESPECT TO THE HOLE AXIS, WITHIN .015 [0.38] DIA AFTER INSERTION IN P.C. BOARD.
- ⑤. TWO SIDES OF LEAD-IN NOT PLATED. TYP BOTH ENDS.
- ⑥. .002 [0.05] R MAX TYP (4) ON WIRE WRAP PORTION OF POST.
7. POST TO FERRULE RETENTION 12 LBS [5.44 KG] MIN. BEFORE STAKING.
8. POST IS BONDED TO FERRULE.
9. BURNISH MARKS ON PINS PERMITTED.
10. .015 [0.38] MAX SOLDER PERMISSIBLE ABOVE AND BELOW THE FERRULE ON THE SURFACE OF THE PIN.
- ⑪. ADD AN LF SUFFIX TO PART NUMBERS FOR PRODUCT THAT MEETS EUROPEAN UNION DIRECTIVES AND OTHER COUNTRY REGULATIONS AS DESCRIBED IN GS-22-008. PLATING CODE 4 AVAILABLE AS LF (TIN) ONLY.
- ⑫. THIS PRODUCT HAS 100% TIN PLATING IN THE INTERFACE AND HAS NOT BEEN TESTED FOR WHISKER GROWTH IN ALL INTERCONNECT ENVIRONMENTS.

mat'l. code		surface		tolerance		projection		product family	
SEE NOTE 1		ASME Y14.5		ASME Y14.5		INCH/MM		PIN PRODUCTS	
ltr	ec'n no	dr	date	tolerances unless otherwise specified				title	
H	V60837	EPK	1996-06-10	angles	XX*.01/X*.3	INCH/MM		BERGPOST® LOOSE PIECE WITH RETENTION NICKS	
J	V71498	HTB	1997-10-28		XXX*.005/XXX*.13	scale 5:1		dwg no	
K	V01594	JRW	2000-07-12	0°±2'	XXXX*.0020/XXX*.051			sheet 1 of 4	
L	V05-0387	HTB	2005-04-27	dr	E. KROPIEWNICKI	1996-06-10		size	
M	V06-0685	HTB	2006-07-26	engr	L. FYE	1996-06-10		A4	
N	V08-0379	HTB	2008-09-04	chr	T. BREWBAKER	1996-06-10		76200	
				appd	L. FYE	1996-06-10		CUSTOMER Drawing	
sheet index	revision sheet	N	N	N	N				
		1	2	3	4				



PRODUCT NUMBER NOTE 11	CONTACT AREA DIM A	DIM H	OVERALL LENGTH DIM L	DIM R	PLATING CODE
76200-001	.308 / 7.82	.328 / 8.33	.450 / 11.43	.060 / 1.52	OBSOLETE
76200-001LF	.308 / 7.82	.328 / 8.33	.450 / 11.43	.060 / 1.52	4
76200-002	.558 / 14.17	.578 / 14.68	.700 / 17.78	.060 / 1.52	OBSOLETE
76200-002LF	.558 / 14.17	.578 / 14.68	.700 / 17.78	.060 / 1.52	4
76200-003	.698 / 17.73	.718 / 18.24	.840 / 21.34	.060 / 1.52	OBSOLETE
76200-003LF	.698 / 17.73	.718 / 18.24	.840 / 21.34	.060 / 1.52	4
76200-004	.748 / 19.00	.768 / 19.51	.890 / 22.61	.060 / 1.52	OBSOLETE
76200-004LF	.748 / 19.00	.768 / 19.51	.890 / 22.61	.060 / 1.52	4
76200-005	.558 / 14.17	.578 / 14.68	1.210 / 30.73	.570 / 14.48	OBSOLETE
76200-005LF	.558 / 14.17	.578 / 14.68	1.210 / 30.73	.570 / 14.48	4
76200-006	.558 / 14.17	.578 / 14.68	1.400 / 35.56	.760 / 19.30	OBSOLETE
76200-006LF	.558 / 14.17	.578 / 14.68	1.400 / 35.56	.760 / 19.30	4
76200-007	.698 / 17.73	.718 / 18.24	1.485 / 37.72	.705 / 17.91	OBSOLETE
76200-007LF	.698 / 17.73	.718 / 18.24	1.485 / 37.72	.705 / 17.91	4
76200-008	.228 / 5.79	.248 / 6.30	.370 / 9.40	.060 / 1.52	OBSOLETE
76200-008LF	.228 / 5.79	.248 / 6.30	.370 / 9.40	.060 / 1.52	4
76200-009	.558 / 14.17	.578 / 14.68	.880 / 22.35	.240 / 6.10	OBSOLETE
76200-009LF	.558 / 14.17	.578 / 14.68	.880 / 22.35	.240 / 6.10	4
76200-010	.583 / 14.81	.603 / 15.32	1.000 / 25.40	.335 / 8.51	OBSOLETE
76200-010LF	.583 / 14.81	.603 / 15.32	1.000 / 25.40	.335 / 8.51	4
76200-011	.308 / 7.82	.328 / 8.33	.450 / 11.43	.060 / 1.52	1
76200-011LF	.308 / 7.82	.328 / 8.33	.450 / 11.43	.060 / 1.52	1
76200-012	SUPERCEDED BY 76200-070				
76200-013	.698 / 17.73	.718 / 18.24	.840 / 21.34	.060 / 1.52	1
76200-013LF	.698 / 17.73	.718 / 18.24	.840 / 21.34	.060 / 1.52	1
76200-014	SUPERCEDED BY 76200-059				
76200-015	.558 / 14.17	.578 / 14.68	1.210 / 30.73	.570 / 14.48	1
76200-015LF	.558 / 14.17	.578 / 14.68	1.210 / 30.73	.570 / 14.48	1
76200-016	.558 / 14.17	.578 / 14.68	1.400 / 35.56	.760 / 19.30	1
76200-016LF	.558 / 14.17	.578 / 14.68	1.400 / 35.56	.760 / 19.30	1
76200-017	.698 / 17.73	.718 / 18.24	1.485 / 37.72	.705 / 17.91	1
76200-017LF	.698 / 17.73	.718 / 18.24	1.485 / 37.72	.705 / 17.91	1
76200-018	.228 / 5.79	.248 / 6.30	.370 / 9.40	.060 / 1.52	1
76200-018LF	.228 / 5.79	.248 / 6.30	.370 / 9.40	.060 / 1.52	1
76200-019	.558 / 14.17	.578 / 14.68	.880 / 22.35	.240 / 6.10	1
76200-019LF	.558 / 14.17	.578 / 14.68	.880 / 22.35	.240 / 6.10	1

PRODUCT NUMBER NOTE 11	CONTACT AREA DIM A	DIM H	OVERALL LENGTH DIM L	DIM R	NOTES
76200-020	.380 / 9.65	.400 / 10.16	.520 / 13.21	.058 / 1.47	3
76200-020LF	.380 / 9.65	.400 / 10.16	.520 / 13.21	.058 / 1.47	3
76200-021	.520 / 13.21	.540 / 13.72	.662 / 16.81	.060 / 1.52	3
76200-021LF	.520 / 13.21	.540 / 13.72	.662 / 16.81	.060 / 1.52	3
76200-022	.380 / 9.65	.400 / 10.16	.772 / 19.61	.320 / 8.13	3
76200-022LF	.380 / 9.65	.400 / 10.16	.772 / 19.61	.320 / 8.13	3
76200-023	.520 / 13.21	.540 / 13.72	.912 / 23.16	.320 / 8.13	3
76200-023LF	.520 / 13.21	.540 / 13.72	.912 / 23.16	.320 / 8.13	3
76200-024	.380 / 9.65	.400 / 10.16	.522 / 13.26	.060 / 1.52	OBSOLETE
76200-024LF	.380 / 9.65	.400 / 10.16	.522 / 13.26	.060 / 1.52	4
76200-025	.520 / 13.21	.540 / 13.72	.662 / 16.81	.060 / 1.52	OBSOLETE
76200-025LF	.520 / 13.21	.540 / 13.72	.662 / 16.81	.060 / 1.52	4
76200-026	.380 / 9.65	.400 / 10.16	.772 / 19.61	.320 / 8.13	OBSOLETE
76200-026LF	.380 / 9.65	.400 / 10.16	.772 / 19.61	.320 / 8.13	4
76200-027	.520 / 13.21	.540 / 13.72	.912 / 23.16	.320 / 8.13	OBSOLETE
76200-027LF	.520 / 13.21	.540 / 13.72	.912 / 23.16	.320 / 8.13	4
76200-028	.228 / 5.79	.248 / 6.30	.550 / 13.97	.240 / 6.10	3
76200-028LF	.228 / 5.79	.248 / 6.30	.550 / 13.97	.240 / 6.10	3
76200-029	.323 / 8.20	.343 / 8.71	.463 / 11.76	.058 / 1.47	3
76200-029LF	.323 / 8.20	.343 / 8.71	.463 / 11.76	.058 / 1.47	3
76200-030	.573 / 14.55	.593 / 15.06	.715 / 18.16	.060 / 1.52	3
76200-030LF	.573 / 14.55	.593 / 15.06	.715 / 18.16	.060 / 1.52	3
76200-031	.698 / 17.73	.718 / 18.24	.840 / 21.34	.060 / 1.52	3
76200-031LF	.698 / 17.73	.718 / 18.24	.840 / 21.34	.060 / 1.52	3
76200-032	.763 / 19.38	.783 / 19.89	.905 / 22.99	.060 / 1.52	3
76200-032LF	.763 / 19.38	.783 / 19.89	.905 / 22.99	.060 / 1.52	3
76200-033	.573 / 14.55	.593 / 15.06	1.240 / 31.50	.585 / 14.86	3
76200-033LF	.573 / 14.55	.593 / 15.06	1.240 / 31.50	.585 / 14.86	3
76200-034	.573 / 14.55	.593 / 15.06	1.430 / 36.32	.775 / 19.69	3
76200-034LF	.573 / 14.55	.593 / 15.06	1.430 / 36.32	.775 / 19.69	3

A

A

PLATING CODE	PLATING	UNDERPLATING
1	30µ" [0.76µ] Au	50µ" [1.27µ] Ni
2	UNASSIGNED	
3	50µ" [1.27µ] Au	50µ" [1.27µ] Ni
4	TIN LEAD OPTION	120µ" [3.05µ] 93/7 SnPb
	LF OPTION (NOTE 12)	100µ" [2.54µ] Sn
5	30µ" [0.76µ] GXT™	50µ" [1.27µ] Ni
6	15µ" [0.38µ] GXT™	50µ" [1.27µ] Ni
7	UNASSIGNED	
8	UNASSIGNED	
9	15µ" [0.38µ] Au	50µ" [1.27µ] Ni

DISCONTINUED

mat'l. code SEE NOTE 1		surface ASME Y14.5	tolerance ASME Y14.5	projection	product family PIN PRODUCTS
ltr	ecn no	dr	date	tolerances unless otherwise specified	title
N				angles	INCH/MM
				0°±2'	scale 1:1
		dr	E. KROPIEWNICKI	1996-06-04	BERGPOST® LOOSE PIECE WITH RETENTION NICKS
		engr	L. FYE	1996-06-04	
		chr	T. BREWBAKER	1996-06-04	
		appd	L. FYE	1996-06-04	
sheet index	revision sheet				dwg no 76200
					sheet 2 of 4
					size A4
					type CUSTOMER Drawing

B



PRODUCT NUMBER NOTE 11	CONTACT AREA DIM A	DIM H	OVERALL LENGTH DIM L	DIM R	PLATING CODE
76200-035	.698 / 17.73	.718 / 18.24	1.485 / 37.72	.705 / 17.91	3
76200-035LF	.698 / 17.73	.718 / 18.24	1.485 / 37.72	.705 / 17.91	3
76200-036	.228 / 5.79	.248 / 6.30	.370 / 9.40	.060 / 1.52	3
76200-036LF	.228 / 5.79	.248 / 6.30	.370 / 9.40	.060 / 1.52	3
76200-037	.573 / 14.55	.593 / 15.06	.895 / 22.73	.240 / 6.10	3
76200-037LF	.573 / 14.55	.593 / 15.06	.895 / 22.73	.240 / 6.10	3
76200-038	.448 / 11.38	.468 / 11.89	.590 / 14.99	.060 / 1.52	3
76200-038LF	.448 / 11.38	.468 / 11.89	.590 / 14.99	.060 / 1.52	3
76200-039	.485 / 12.32	.505 / 12.83	.960 / 24.38	.393 / 9.98	OBSOLETE
76200-039LF	.485 / 12.32	.505 / 12.83	.960 / 24.38	.393 / 9.98	4
76200-040	.380 / 9.65	.400 / 10.16	.522 / 13.26	.060 / 1.52	1
76200-040LF	.380 / 9.65	.400 / 10.16	.522 / 13.26	.060 / 1.52	1
76200-041	.583 / 14.81	.603 / 15.32	1.000 / 25.40	.335 / 8.51	1
76200-041LF	.583 / 14.81	.603 / 15.32	1.000 / 25.40	.335 / 8.51	1
76200-042	.520 / 13.21	.540 / 13.72	.912 / 23.16	.320 / 8.13	1
76200-042LF	.520 / 13.21	.540 / 13.72	.912 / 23.16	.320 / 8.13	1
76200-043	.558 / 14.17	.578 / 14.68	.700 / 17.78	.060 / 1.52	3
76200-043LF	.558 / 14.17	.578 / 14.68	.700 / 17.78	.060 / 1.52	3
76200-044	.615 / 15.62	.628 / 15.95	1.010 / 25.65	.320 / 8.13	3
76200-044LF	.615 / 15.62	.628 / 15.95	1.010 / 25.65	.320 / 8.13	3
76200-045	.323 / 8.20	.343 / 8.71	.465 / 11.81	.060 / 1.52	OBSOLETE
76200-045LF	.323 / 8.20	.343 / 8.71	.465 / 11.81	.060 / 1.52	4
76200-046	SUPERCEDED BY 76200-069				
76200-047	.240 / 6.10	.260 / 6.60	.732 / 18.59	.410 / 10.41	1
76200-047LF	.240 / 6.10	.260 / 6.60	.732 / 18.59	.410 / 10.41	1
76200-048	.390 / 9.91	.410 / 10.41	1.075 / 27.31	.603 / 15.32	1
76200-048LF	.390 / 9.91	.410 / 10.41	1.075 / 27.31	.603 / 15.32	1
76200-049	.380 / 9.65	.400 / 10.16	.710 / 18.03	.248 / 6.30	3
76200-049LF	.380 / 9.65	.400 / 10.16	.710 / 18.03	.248 / 6.30	3
76200-050	.308 / 7.82	.328 / 8.33	.450 / 11.43	.060 / 1.52	OBSOLETE
76200-050LF	.308 / 7.82	.328 / 8.33	.450 / 11.43	.060 / 1.52	4
76200-051	.630 / 16.00	.650 / 16.51	1.122 / 28.50	.410 / 10.41	1
76200-051LF	.630 / 16.00	.650 / 16.51	1.122 / 28.50	.410 / 10.41	1
76200-052	.390 / 9.91	.410 / 10.41	1.122 / 28.50	.650 / 16.51	1
76200-052LF	.390 / 9.91	.410 / 10.41	1.122 / 28.50	.650 / 16.51	1

PRODUCT NUMBER NOTE 11	CONTACT AREA DIM A	DIM H	OVERALL LENGTH DIM L	DIM R	PLATING CODE
76200-053	.255 / 6.48	.275 / 6.99	.772 / 19.61	.435 / 11.05	3
76200-053LF	.255 / 6.48	.275 / 6.99	.772 / 19.61	.435 / 11.05	3
76200-054	.255 / 6.48	.275 / 6.99	.642 / 16.31	.305 / 7.75	3
76200-054LF	.255 / 6.48	.275 / 6.99	.642 / 16.31	.305 / 7.75	3
76200-055	.651 / 16.54	.671 / 17.04	.793 / 20.14	.060 / 1.52	1
76200-055LF	.651 / 16.54	.671 / 17.04	.793 / 20.14	.060 / 1.52	1
76200-056	.500 / 12.70	.520 / 13.21	.640 / 16.26	.058 / 1.47	OBSOLETE
76200-056LF	.500 / 12.70	.520 / 13.21	.640 / 16.26	.058 / 1.47	4
76200-057	.250 / 6.35	.270 / 6.86	.572 / 14.53	.240 / 6.10	1
76200-057LF	.250 / 6.35	.270 / 6.86	.572 / 14.53	.240 / 6.10	1
76200-058	.250 / 6.35	.270 / 6.86	.390 / 9.91	.058 / 1.47	1
76200-058LF	.250 / 6.35	.270 / 6.86	.390 / 9.91	.058 / 1.47	1
76200-059	.750 / 19.05	.770 / 19.56	.892 / 22.66	.060 / 1.52	1
76200-059LF	.750 / 19.05	.770 / 19.56	.892 / 22.66	.060 / 1.52	1
76200-060	.380 / 9.65	.400 / 10.16	.880 / 22.35	.418 / 10.62	1
76200-060LF	.380 / 9.65	.400 / 10.16	.880 / 22.35	.418 / 10.62	1
76200-061	.280 / 7.11	.300 / 7.62	.552 / 14.02	.190 / 4.83	1
76200-061LF	.280 / 7.11	.300 / 7.62	.552 / 14.02	.190 / 4.83	1
76200-062	.338 / 8.59	.358 / 9.09	.478 / 12.14	.058 / 1.47	1
76200-062LF	.338 / 8.59	.358 / 9.09	.478 / 12.14	.058 / 1.47	1
76200-063	UNAVAILABLE				
76200-063LF	UNAVAILABLE				
76200-064	.380 / 9.65	.400 / 10.16	.960 / 24.38	.498 / 12.65	OBSOLETE
76200-064LF	.380 / 9.65	.400 / 10.16	.960 / 24.38	.498 / 12.65	4
76200-065	.698 / 17.73	.718 / 18.24	1.000 / 25.40	.225 / 5.72	OBSOLETE
76200-065LF	.698 / 17.73	.718 / 18.24	1.000 / 25.40	.225 / 5.72	4
76200-066	.755 / 19.18	.775 / 19.69	1.260 / 32.00	.420 / 10.67	1
76200-066LF	.755 / 19.18	.775 / 19.69	1.260 / 32.00	.420 / 10.67	1
76200-067	.228 / 5.79	.248 / 6.30	.368 / 9.35	.058 / 1.47	OBSOLETE
76200-067LF	.228 / 5.79	.248 / 6.30	.368 / 9.35	.058 / 1.47	4
76200-068	.250 / 6.35	.270 / 6.86	.650 / 16.51	.318 / 8.08	1
76200-068LF	.250 / 6.35	.270 / 6.86	.650 / 16.51	.318 / 8.08	1

A

A

B

B

mat'l. code	surface	tolerance	projection	product family
SEE NOTE 1	ASME Y14.5	ASME Y14.5		PIN PRODUCTS
ltr	ecr no	dr	date	title
N				BERGPOST® LOOSE PIECE WITH RETENTION NICKS
	angles	in	out	scale 1:1
		XX*01/XX*3	XXX*005/XX*13	
		XXXX*0020/XXX*051		dwg no
	dr	E. KROPIEWNICKI	1996-06-04	sheet 3 of 4
	enrg	L. FYE	1996-06-04	size
	chr	T. BREWBAKER	1996-06-04	76200
	appd	L. FYE	1996-06-04	A4
sheet	revision			type
index	sheet			CUSTOMER Drawing



PRODUCT NUMBER NOTE 11	CONTACT AREA DIM A	DIM H	OVERALL LENGTH DIM L	DIM R	PLATING CODE
76200-069	.583 / 14.81	.603 / 15.32	1.075 / 27.31	.410 / 10.41	1
76200-069LF	.583 / 14.81	.603 / 15.32	1.075 / 27.31	.410 / 10.41	1
76200-070	.558 / 14.17	.578 / 14.68	.695 / 17.65	.055 / 1.40	1
76200-070LF	.558 / 14.17	.578 / 14.68	.695 / 17.65	.055 / 1.40	1
76200-071	.390 / 9.91	.410 / 10.41	1.075 / 27.31	.603 / 15.32	1
76200-071LF	.390 / 9.91	.410 / 10.41	1.075 / 27.31	.603 / 15.32	1
76200-072	.240 / 6.10	.260 / 6.60	.732 / 18.59	.410 / 10.41	1
76200-072LF	.240 / 6.10	.260 / 6.60	.732 / 18.59	.410 / 10.41	1
76200-073	.630 / 16.00	.650 / 16.51	1.122 / 28.50	.410 / 10.41	1
76200-073LF	.630 / 16.00	.650 / 16.51	1.122 / 28.50	.410 / 10.41	1
76200-074	.390 / 9.91	.410 / 10.41	1.122 / 28.50	.650 / 16.51	1
76200-074LF	.390 / 9.91	.410 / 10.41	1.122 / 28.50	.650 / 16.51	1
76200-075	.573 / 14.55	.593 / 15.06	.895 / 22.73	.240 / 6.10	OBSOLETE
76200-075LF	.573 / 14.55	.593 / 15.06	.895 / 22.73	.240 / 6.10	4
76200-076	.308 / 7.82	.328 / 8.33	.445 / 11.30	.055 / 1.40	1
76200-076LF	.308 / 7.82	.328 / 8.33	.445 / 11.30	.055 / 1.40	1
76200-077	.558 / 14.17	.578 / 14.68	.695 / 17.65	.055 / 1.40	OBSOLETE
76200-077LF	.558 / 14.17	.578 / 14.68	.695 / 17.65	.055 / 1.40	4
76200-078	.400 / 10.16	.420 / 10.67	.892 / 22.66	.410 / 10.41	1
76200-078LF	.400 / 10.16	.420 / 10.67	.892 / 22.66	.410 / 10.41	1
76200-079	.630 / 16.00	.650 / 16.51	.770 / 19.56	.058 / 1.47	1
76200-079LF	.630 / 16.00	.650 / 16.51	.770 / 19.56	.058 / 1.47	1
76200-080	.583 / 14.81	.603 / 15.32	1.075 / 27.31	.410 / 10.41	9
76200-080LF	.583 / 14.81	.603 / 15.32	1.075 / 27.31	.410 / 10.41	9
76200-081	.558 / 14.17	.578 / 14.68	.700 / 17.78	.060 / 1.52	9
76200-081LF	.558 / 14.17	.578 / 14.68	.700 / 17.78	.060 / 1.52	9
76200-082	.390 / 9.91	.410 / 10.41	1.075 / 27.31	.603 / 15.32	9
76200-082LF	.390 / 9.91	.410 / 10.41	1.075 / 27.31	.603 / 15.32	9
76200-083	.240 / 6.10	.260 / 6.60	.732 / 18.59	.410 / 10.41	9
76200-083LF	.240 / 6.10	.260 / 6.60	.732 / 18.59	.410 / 10.41	9
76200-084	.630 / 16.00	.650 / 16.51	1.122 / 28.50	.410 / 10.41	9
76200-084LF	.630 / 16.00	.650 / 16.51	1.122 / 28.50	.410 / 10.41	9
76200-085	.390 / 9.91	.410 / 10.41	1.122 / 28.50	.650 / 16.51	9
76200-085LF	.390 / 9.91	.410 / 10.41	1.122 / 28.50	.650 / 16.51	9

PRODUCT NUMBER NOTE 11	CONTACT AREA DIM A	DIM H	OVERALL LENGTH DIM L	DIM R	PLATING CODE
76200-086	.308 / 7.82	.328 / 8.33	.450 / 11.43	.060 / 1.52	9
76200-086LF	.308 / 7.82	.328 / 8.33	.450 / 11.43	.060 / 1.52	9
76200-087	.400 / 10.16	.420 / 10.67	.892 / 22.66	.410 / 10.41	9
76200-087LF	.400 / 10.16	.420 / 10.67	.892 / 22.66	.410 / 10.41	9
76200-088	.630 / 16.00	.650 / 16.51	.770 / 19.56	.058 / 1.47	9
76200-088LF	.630 / 16.00	.650 / 16.51	.770 / 19.56	.058 / 1.47	9
76200-089	.630 / 16.00	.650 / 16.51	1.122 / 28.50	.410 / 10.41	OBSOLETE
76200-089LF	.630 / 16.00	.650 / 16.51	1.122 / 28.50	.410 / 10.41	4
76200-090	.636 / 16.15	.650 / 16.51	1.122 / 28.50	.410 / 10.41	3
76200-090LF	.636 / 16.15	.650 / 16.51	1.122 / 28.50	.410 / 10.41	3
76200-091	.573 / 14.55	.593 / 15.06	.895 / 22.73	.240 / 6.10	9
76200-091LF	.573 / 14.55	.593 / 15.06	.895 / 22.73	.240 / 6.10	9
76200-092	.485 / 12.32	.505 / 12.83	.960 / 24.38	.393 / 9.98	1
76200-092LF	.485 / 12.32	.505 / 12.83	.960 / 24.38	.393 / 9.98	1

A

A

B

B

mat'l. code SEE NOTE 1		surface ASME Y14.5	tolerance ASME Y14.5	projection 	product family PIN PRODUCTS
ltr	ecr no	dr	date	tolerances unless otherwise specified	title
N				angles XX*01/XX*3 XXX*005/XXX*13 XXXX*0020/XXX*051	BERGPOST® LOOSE PIECE WITH RETENTION NICKS
				scale 1:1	dwg no
					sheet 4 of 4
					size
					76200
					A4
					type
					CUSTOMER Drawing
sheet index	revision				
	sheet				