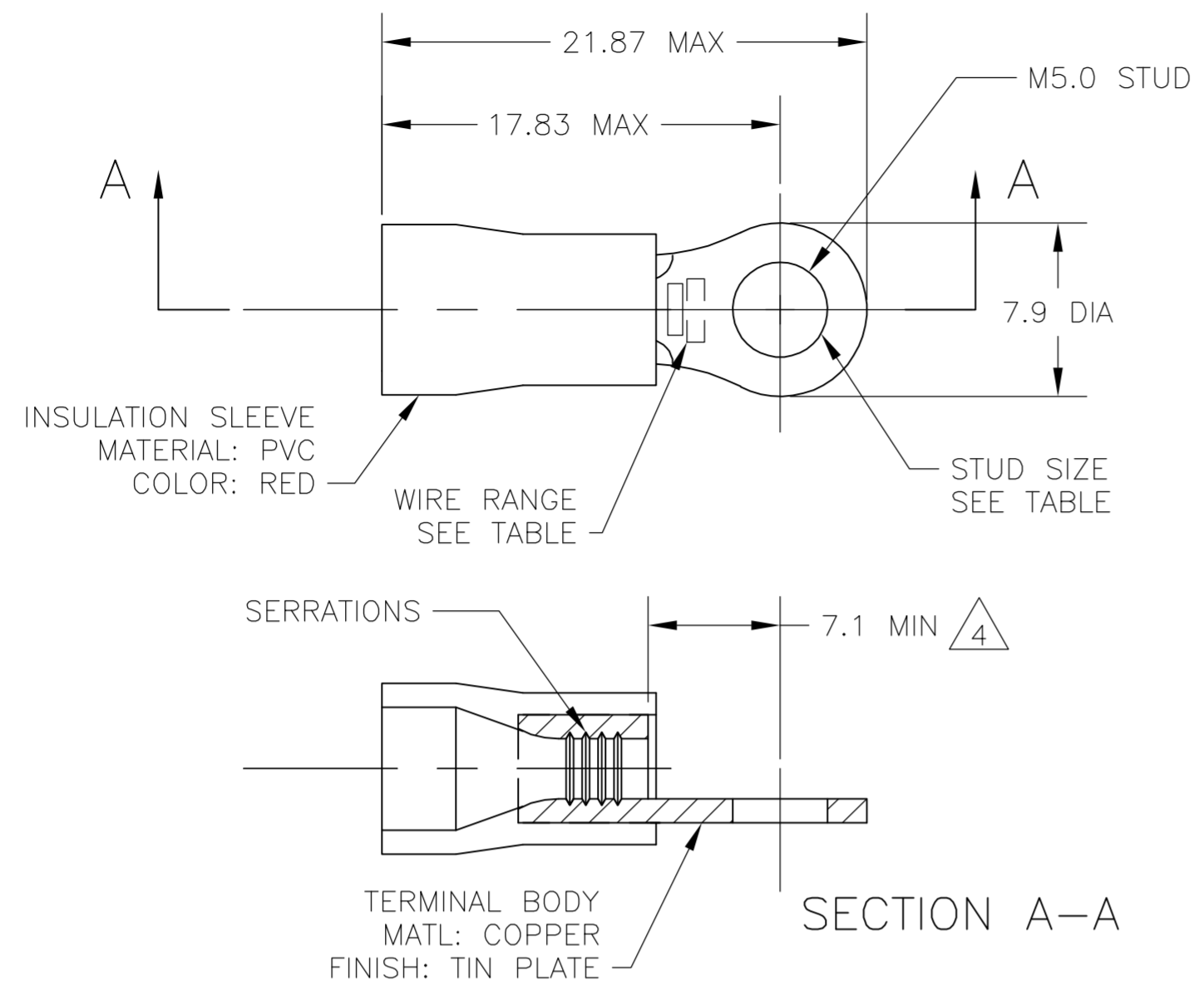


THIS DRAWING IS UNPUBLISHED. RELEASED FOR PUBLICATION
 © COPYRIGHT BY TYCO ELECTRONICS CORPORATION. ALL RIGHTS RESERVED.

LOC	DIST	REVISIONS			
P	LTR	DESCRIPTION	DATE	DWN	APVD
G	02	R1	REV PER ECR-06-001930	13FEB06	HMR TM



- 1 WIRE SIZE IS 22-16 AWG
- 2 WIRE INSULATION DIA: 2.7-3.6
- 3 MATERIAL THICKNESS IS 0.8
- $\triangle 4$ DIMENSION APPLIES FROM EDGE OF METAL WIRE BARREL TO END OF PIN.
- $\triangle 5$ SUPERSEDED BY 324104-1

POLY BAG WITH HEADER	STANDARD	100	$\triangle 5$ 7-342104-1
PLASTIC BOX	STANDARD	100	$\triangle 5$ 6-342104-1
TAPED MOUNTED	STANDARD	5000	2-342104-1
PLASTIC BAG	STANDARD	100	342104-1
PACKAGING	LABELLING	QTY	PART NO

DIMENSIONS: INCHES		TOLERANCES UNLESS OTHERWISE SPECIFIED:		DWN		CHK		APVD		NAME		SIZE		CAGE CODE		DRAWING NO		RESTRICTED TO	
0 PLC		± -		jr ruth		T MICHIELUTTI		T MICHIELUTTI		Tyco Electronics Corporation		A2		00779		C=342104		-	
1 PLC		± 0.5		02DEC05		02DEC05		02DEC05		Harrisburg, PA 17105-3608		SCALE		SHEET		REV		-	
2 PLC		± -		-		-		-		-		5:1		1 of 1		R1		-	
3 PLC		± -		-		-		-		-		CUSTOMER DRAWING		-		-		-	
4 PLC		± -		-		-		-		-		-		-		-		-	
ANGLES		± 1°		-		-		-		-		-		-		-		-	
FINISH		-		-		-		-		-		-		-		-		-	