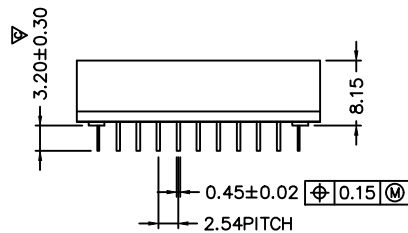
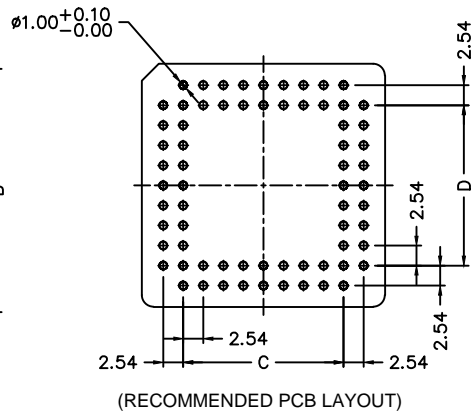
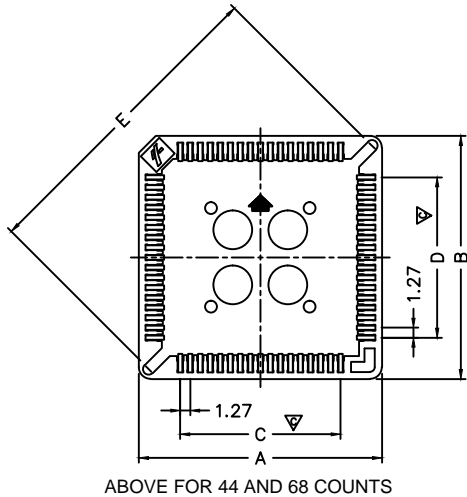
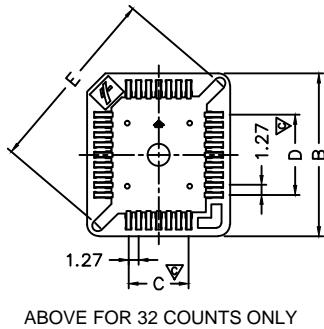




Copyright FCI.



NOTES:

- 1 MATERIAL:
HOUSING: PPS UL94 V-0, Brown.
CONTACT: Copper Alloy.
- 2 FINISH:
CONTACT: 100 μm Min. Lead free Tin plated on soldering end over 50 μm Min. Nickel under-plating.

- 3 ORDER INFORMATION:
54020-XX 0 3 0 LF
Series No. Lead Free.
No. of Contacts: Post/Packaging:
32 44 68 0-Without Post/In tube package.
Contact plated: Housing Material/Color:
0-Tin alloy plated. 3-PPS/Brown.

- 4 SPECIFICATION:
Current Rating: 1A Max.
Dielectric Strength: 600V AC RMS for 1 minute.
Contact Resistance: 20 mΩ MAX.
Insulator Resistance: 1000MΩ min. at 500V DC.
Temperature: -40°C to +105°C
Durability: 25 Cycles.

5 PRODUCT SPECIFICATION: GES-12-054.

6 MANUFACTURING PROCESS COMPATIBILITY
The housing will withstand exposure to 245°C solder bath temperature for 5 second in a wave solder application.

A/P PART NO.	Dimension(mm)					MCK PART NO.
	A±0.2	B±0.2	C±0.1	D±0.1	E±0.2	
54020-32030LF	17.80	20.20	7.62	10.16	23.85	PLCC-32P-T
54020-44030LF	23.18	23.18	12.70	12.70	29.00	PLCC-44P-T
54020-68030LF	30.88	30.88	20.32	20.32	40.00	PLCC-68P-T-2

rev	ecn no	dr	date
K	ELX-I-20940	SAL	5/21/15
-	-	-	-
E	T05-0114	JH	5/9/05
F	T05-0212	JH	9/21/05
G	T10-0010	JH	1/25/10
H	T11-0002	JH	1/11/11
J	T11-0018	JH	3/25/11

www.fciconnect.com		surface <input checked="" type="checkbox"/>	tolerance std	projection	MM
		TOLERANCES UNLESS OTHERWISE SPECIFIED			
Dr	Jason Hsu	1/11/11	ANGULAR	0.X	± 0.25
Eng	Jason Hsu	1/11/11	LINEAR	0.XX	± 0.15
Chr	S Alosius	5/21/15	0°	0.XXX	± 0.10
Appr	BiJu K Paul	5/21/15	Product family		size A4
					Scale N/A
					ECN ELX-I-20940
					Spec ref
title PLCC DIP Socket			dwg no	54020	
catalog no			CUSTOMER		sheet 1 of 2
					Rev. K

1

2

3

4

A

A

B

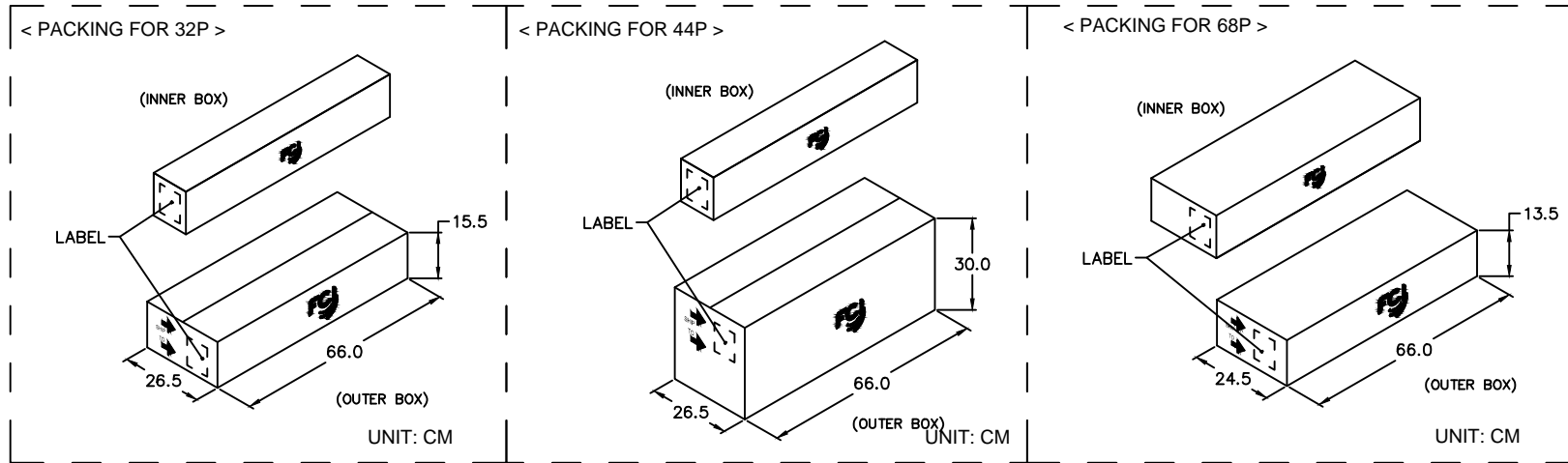
B

C

C

D

D



Copyright FCI.

DIP PLCC PACKING LIST FOR TUBE=612mm							
CONTACTS	PCS/TUBE	TUBE / INNER BOX	PCS / INNER BOX	INNER / OUTER BOX	PCS / OUTER BOX	N.W.(KGS)	G.W.(KGS)
32P	28	42	1176	2	2352	6.5	9.9
44P	25	35	875	4	3500	13.4	20.9
68P	18	42	756	1	756	4.4	7.8

www.fciconnect.com		surface <input checked="" type="checkbox"/>	tolerance std	projection	MM
		TOLERANCES UNLESS OTHERWISE SPECIFIED			
Dr	Jason Hsu	1/11/11	ANGULAR	0.X ± 0.25	size A4
Eng	Jason Hsu	1/11/11	LINEAR	0.XX ± 0.15	Scale N/A
Chr	S Alosius	5/21/15	0° ±5°	0.XXX ± 0.10	ECN ELX-I-20940
Appr	Biju K Paul	5/21/15	Product family	Spec ref	
	title PLCC DIP Socket		dwg no 54020		Rev. K
catalog no		-		CUSTOMER	sheet 2 of 2

REV F - 2005-04-07

1

2

3

4