

Network isolator - FL ISOLATOR 1000-RJ/RJ - 2313915

Please be informed that the data shown in this PDF Document is generated from our Online Catalog. Please find the complete data in the user's documentation. Our General Terms of Use for Downloads are valid (<http://phoenixcontact.com/download>)



Passive network isolator for electrical isolation in Ethernet networks. This protects Ethernet devices from potential differences of up to 4 kV. Can be used for transmission speeds of up to 1 Gbps. Possible to connect two RJ45 plugs.

Why buy this product

- ✓ No power supply required
- ✓ Dielectric strength of up to 4 kV
- ✓ Protection against aggressive environmental influences, particularly harsh industrial environments, thanks to coated PCB
- ✓ Approval for railway applications (rolling stock) according to EN 50155 and EN 50121
- ✓ Electrical isolation of data cables and cable shielding
- ✓ Extended temperature range of -25°C to +85°C
- ✓ Mounting on EN DIN rails
- ✓ Transmission speed of up to 1000 Mbps
- ✓ Continuous insulation voltage of 250 VRMS



Key Commercial Data

Packing unit	1 STK
GTIN	
GTIN	4046356574563

Technical data

Dimensions

Width	22.5 mm
Height	99 mm
Depth	92 mm

Ambient conditions

Ambient temperature (operation)	-25 °C ... 75 °C
Ambient temperature (storage/transport)	-25 °C ... 85 °C
Permissible humidity (operation)	10 % ... 95 % (non-condensing)

Network isolator - FL ISOLATOR 1000-RJ/RJ - 2313915

Technical data

Ambient conditions

Permissible humidity (storage/transport)	5 % ... 95 % (non-condensing)
Altitude	5000 m (For restrictions see manufacturer's declaration)
Degree of protection	IP20

General

Electrical isolation	Ethernet // Ethernet
Test voltage data interface/data interface	4 kV AC (50 Hz, 1 min.)
Insulation voltage input/output	250 V _{rms}
Standards/regulations	EN 50121 and EN 50155 (for railway applications)
Electromagnetic compatibility	Conformance with EMC Directive 2014/30/EU
Net weight	122.3 g
Housing material	PA 6.6-FR
Color	green
MTBF	25932 Years (Telcordia standard, 25°C temperature, 21% operating cycle (5 days a week, 8 hours a day))
	8640 Years (Telcordia standard, 40°C temperature, 34.25% operating cycle (5 days a week, 12 hours a day))
UL, USA/Canada	508 Listed

Serial interface

Interface 1	Ethernet interface, 10/100/1000Base-T(X) according to IEEE 802.3u
Interface	Ethernet
No. of ports	1
Connection method	RJ45 socket, shielded
Transmission length	≤ 100 m (Total length across both ports (dependent on data rate and cable used))
Serial transmission speed	10/100/1000 Mbps
Interface 2	Ethernet interface, 10/100/1000Base-T(X) according to IEEE 802.3u
Interface	Ethernet
No. of ports	1
Connection method	RJ45 socket, shielded
Serial transmission speed	10/100/1000 Mbps

Standards and Regulations

Electromagnetic compatibility	Conformance with EMC Directive 2014/30/EU
Type of test	Vibration resistance in acc. with EN 60068-2-6/IEC 60068-2-6
Test result	5g, 10...150 Hz, 2.5 h, in XYZ direction
Type of test	Shock in acc. with EN 60068-2-27/IEC 60068-2-27
Test result	25g, 11 ms period, half-sine shock pulse
Standards/regulations	EN 61000-4-2
Contact discharge	± 6 kV (Test Level 3)
Standards/regulations	EN 61000-4-3
Frequency range	26 MHz ... 3 GHz (Test Level 3)

Network isolator - FL ISOLATOR 1000-RJ/RJ - 2313915

Technical data

Standards and Regulations

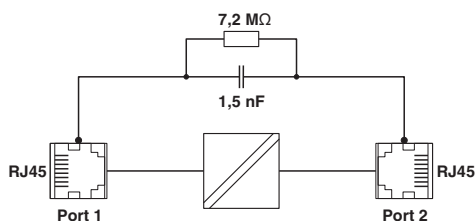
Standards/regulations	EN 61000-4-4
Comments	Criterion B
Standards/regulations	EN 61000-4-5
Signal	± 1 kV (Data line, asymmetrical)
Standards/regulations	EN 61000-6-4
	EN 61000-4-6
Frequency range	0.15 MHz ... 80 MHz
Standards/regulations	EN 50121 and EN 50155 (for railway applications)
UL, USA/Canada	508 Listed
Noxious gas test	ISA-S71.04-1985 G3 Harsh Group A

Environmental Product Compliance

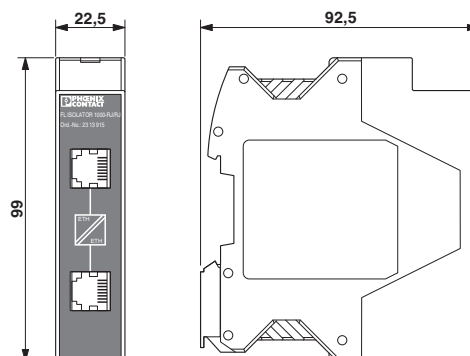
China RoHS	Environmentally friendly use period: unlimited = EFUP-e
	No hazardous substances above threshold values

Drawings

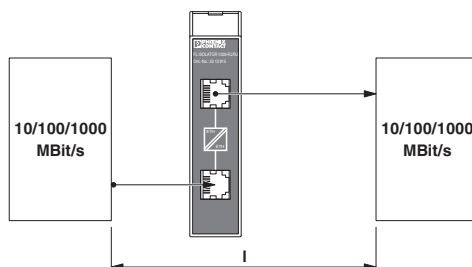
Block diagram



Dimensional drawing



Schematic diagram



Approvals

Approvals

Network isolator - FL ISOLATOR 1000-RJ/RJ - 2313915

Approvals

Approvals

UL Listed / cUL Listed / EAC / DNV GL / cULus Listed

Ex Approvals

Approval details

UL Listed		http://database.ul.com/cgi-bin/XYV/template/LISEXT/1FRAME/index.htm	FILE E 238705
-----------	--	---	---------------

cUL Listed		http://database.ul.com/cgi-bin/XYV/template/LISEXT/1FRAME/index.htm	FILE E 238705
------------	--	---	---------------

EAC			RU *- DE.A*30.B.01735
-----	--	--	--------------------------

DNV GL		http://exchange.dnv.com/tari/	TAA00001KR
--------	--	---	------------

cULus Listed			
--------------	--	--	--

Phoenix Contact 2018 © - all rights reserved
<http://www.phoenixcontact.com>

PHOENIX CONTACT GmbH & Co. KG
Flachsmarktstr. 8
32825 Blomberg
Germany
Tel. +49 5235 300
Fax +49 5235 3 41200
<http://www.phoenixcontact.com>