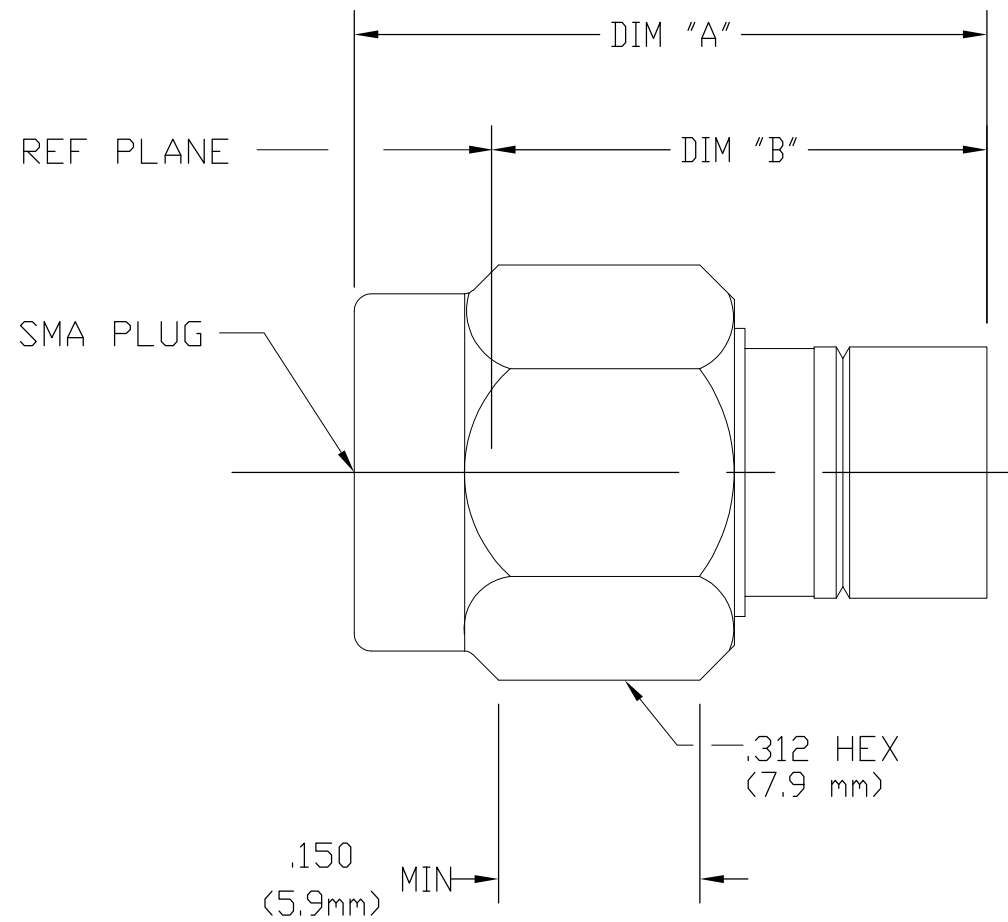


THIS DRAWING IS UNPUBLISHED. RELEASED FOR PUBLICATION
 © COPYRIGHT - By - ALL RIGHTS RESERVED.

LOC	DIST	REVISIONS					
		P	LTR	DESCRIPTION	DATE	DWN	APVD
			B	REV PER ECO-12-020950	11DEC12	PY	DW



- NOTES:
- DESIGNED FOR USE WITH .141 DIA (RG 402/U) SEMI-RIGID CABLE
 - CAPTURED CENTER CONTACT
 - PICTORIAL VIEW IS AFTER CRIMPING
 - MIN STRAIGHT CABLE LENGTH: .287
 - IT IS SUGGESTED TO BEND CABLE PRIOR TO CRIMPING
 - CRIMP BUSHING MAY BE PACKAGED UNASSEMBLED. ORIENT GROOVE AS SHOWN.

COMPONENT	MATERIAL	FINISH
HOUSING COUPLING NUT BUSHING	STAINLESS STEEL PER ASTM-A484 AND ASTM- A582, TYPE 303	PASSIVATE PER ASTM-A380
DIELECTRIC	TFE FLUOROCARBON PER MIL-P-19468 AND FED SPEC L-P-403	N/A
CENTER CONTACT	BERYLLIUM COPPER PER QQ-C-530,ALLOY 173	GOLD PLATE PER MIL-G-45204 OVER COPPER PLATE PER MIL-C-14550
RETAINING RING	BERYLLIUM COPPER PER QQ-C-533	N/A
GASKET	SILICONE RUBBER PER ZZ-R-765	N/A

BEFORE CRIMPING	.664 REF (16.9 mm)	.550 REF (14.0 mm)
AFTER CRIMPING	.568 MAX (14.4 mm)	.441 REF (11.2 mm)
	DIM "A"	DIM "B"

THIS DRAWING IS A CONTROLLED DOCUMENT.		DWN P. YEAGER 11DEC2012	STE TE Connectivity	
		CHK D. WILSON 11DEC12		
DIMENSIONS: INCHES		APVD D. WILSON 11DEC12	NAME SMA STRAIGHT CABLE PLUG, SOLDERLESS COMPRESSION CRIMP ATTACHMENT (M39012/79-3308) CAT F	
TOLERANCES UNLESS OTHERWISE SPECIFIED: 0 PLC ± - 1 PLC ± - 2 PLC ± - 3 PLC ± .005 4 PLC ± - ANGLES ± -		PRODUCT SPEC -	DRAWING NO A300779 C-1050801	
MATERIAL SEE TABLE		FINISH SEE TABLE	APPLICATION SPEC -	RESTRICTED TO -
		WEIGHT -	SIZE A3	CAGE CODE 00779
CUSTOMER DRAWING			SCALE 1:1	SHEET 1 OF 1
			REV B	