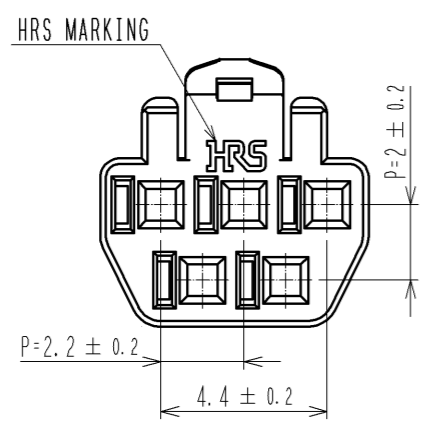
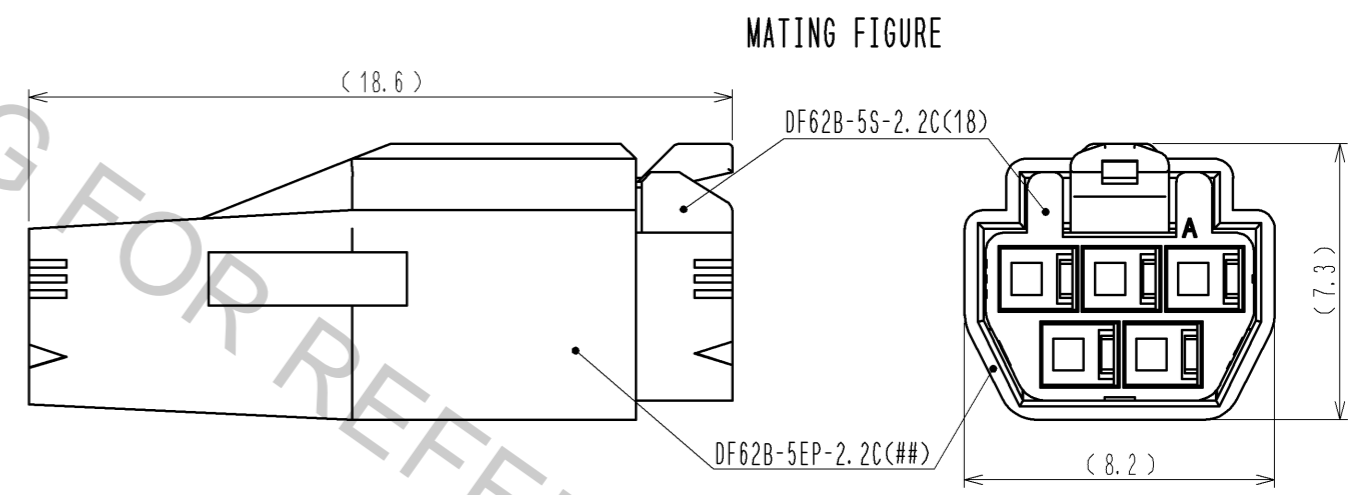
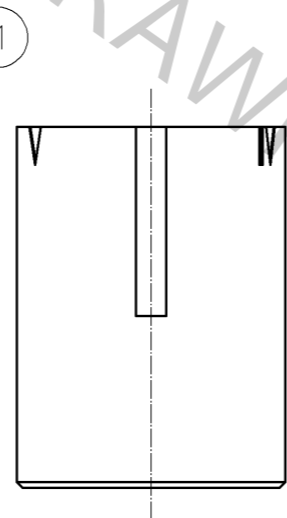
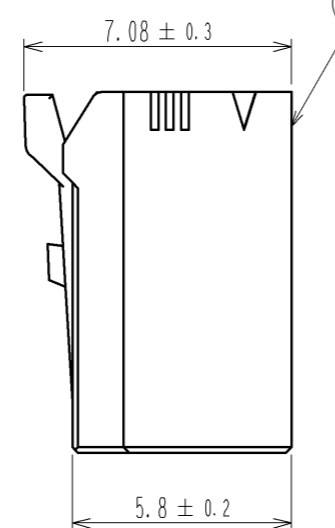
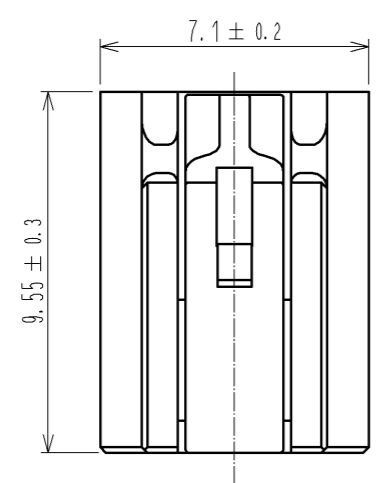
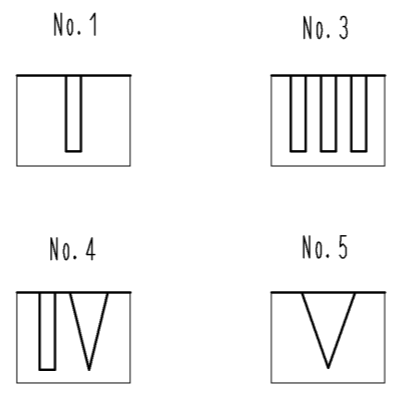
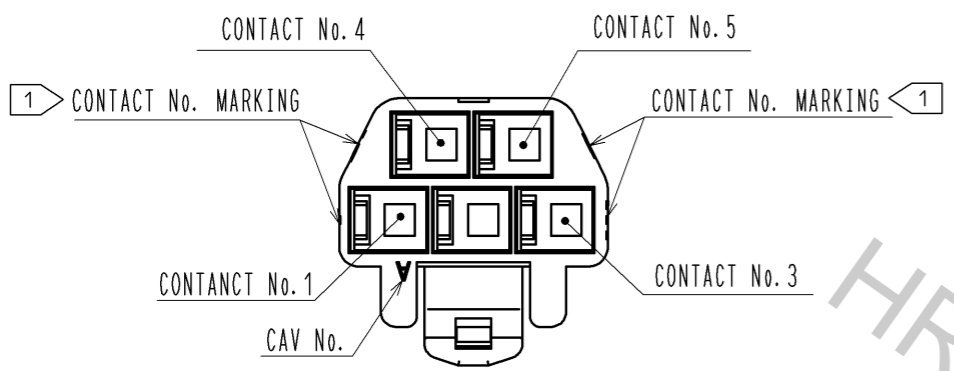


Apr.1.2017 Copyright 2017 HIROSE ELECTRIC CO., LTD. All Rights Reserved.

1 FIGURE-1 CONTACT No. MARKING (10:1)



NOTE. 1 MARKINGS AT THE INDICATED POSITIONS ARE CONTACT NO. MARKING. AND SHAPES ARE SHOWN IN FIGURE-1.
 2. PER PACK : 100 PIECES.
 3. THE DIMENSIONS IN PARENTHESIS ARE FOR REFERENCE.

NO.		MATERIAL		FINISH . REMARKS		1	PBT	UL94V-0 (RED)
UNITS mm		SCALE 5 : 1		COUNT △		DESIGNED		CHECKED
DESCRIPTION OF REVISIONS		DATE		DRAWING NO.		EDC3-351959-02		
APPROVED : KI. AKIYAMA		13. 09. 11		PART NO.		DF62B-5S-2. 2C(18)		
CHECKED : OM. MIYAMOTO		13. 09. 11		CODE NO.		CL544-0554-8-18		△ 1/1
DESIGNED : TH. YOSHIKAWA		13. 09. 11						
DRAWN : MI. SAKIMURA		13. 09. 06						