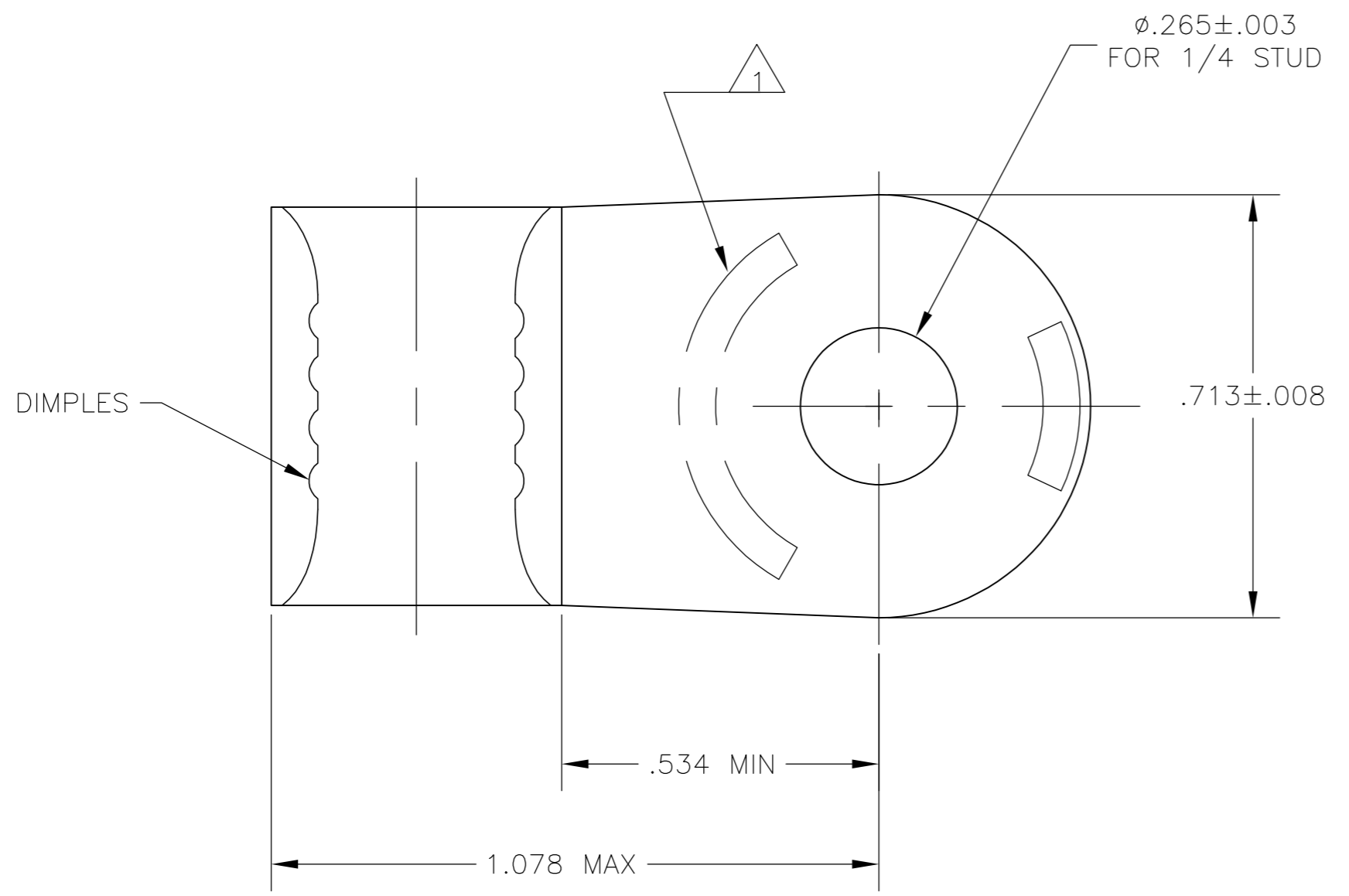


THIS DRAWING IS UNPUBLISHED. RELEASED FOR PUBLICATION
 © COPYRIGHT BY TYCO ELECTRONICS CORPORATION. ALL INTERNATIONAL RIGHTS RESERVED.

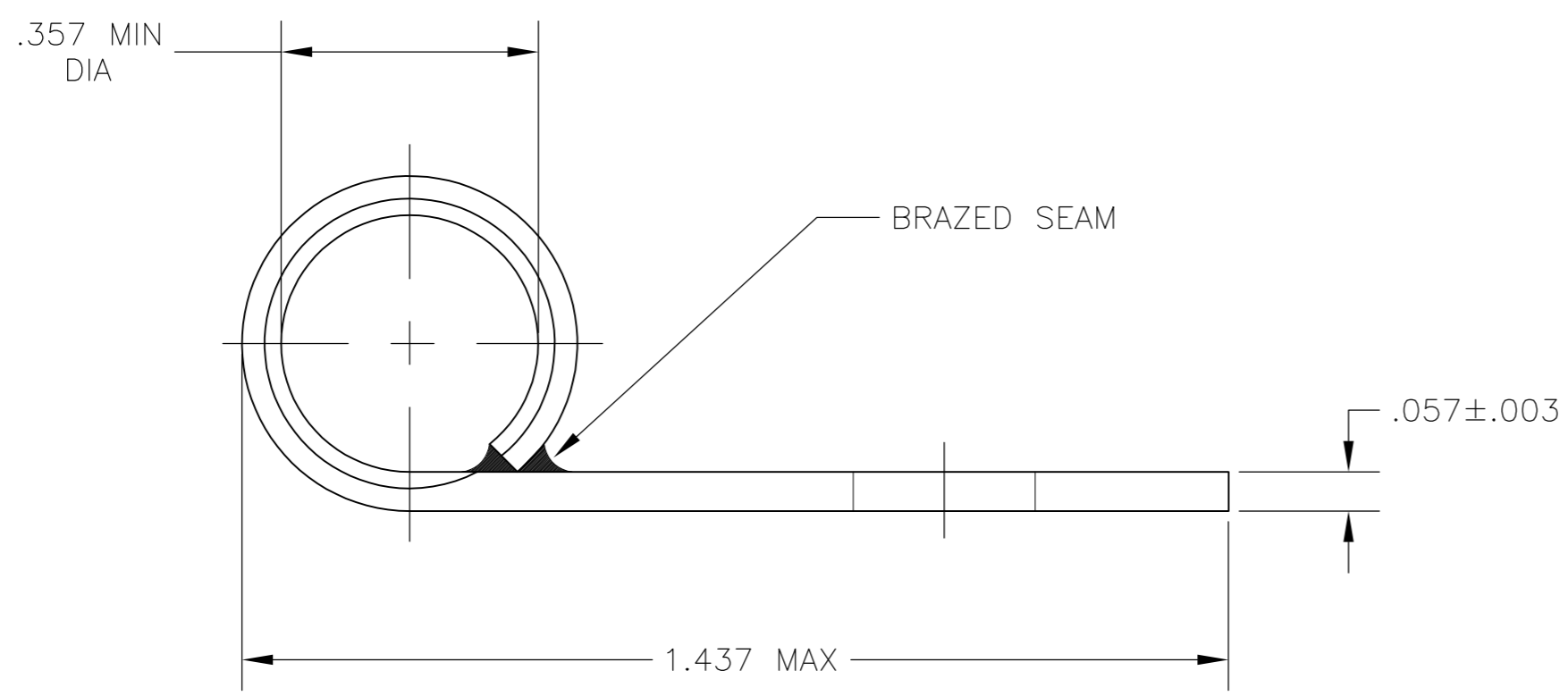
LOC	DIST	REVISIONS			
P	LTR	DESCRIPTION	DATE	DWN	APVD
G	14	B	CREATED DWG AT THIS REVISION	24SEPT09	JR TM



AMP
WIRE RANGE

2 AWG
STRANDED

- 1 STAMP AMP 2W* 60-75, APPROX AS SHOWN
- 2 NICKEL PLATE .000300 MIN THK PER SAE-AMS-QQ-N-290.
- 3 MATERIAL, COPPER PER ASTM B-152, ANNEALED.



696691-1
PART NO

AMP INCORPORATED CUSTOMER SERVICE SYSTEMS		MAX RECOMMENDED OPERATING TEMPERATURE: 343° C
FOR ADDITIONAL PRODUCT INFORMATION OR COPIES OF DRAWINGS AND TECHNICAL DOCUMENTS	PRODUCT INFORMATION CENTER 1-800-522-6752	VOLTAGE RATING: N/A
FOR APPLICATION TOOLING INFORMATION	TOOLING ASSISTANCE CENTER 1-800-722-1111	CIRCULAR MIL AREA: 26.7-42.4mm ² [52,600-83,700] STRANDED
FOR ORDER ENTRY	1-800-526-5142	THIS DRAWING IS A CONTROLLED DOCUMENT FOR AMP INCORPORATED. IT IS SUBJECT TO CHANGE AND THE CONTROLLING ENGINEERING ORGANIZATION SHOULD BE CONTACTED FOR THE LATEST REVISION.

THIS DRAWING IS A CONTROLLED DOCUMENT.		DWN JR RUTH 12MAR04	Tyco Electronics Corporation Harrisburg, PA 17105-3608		
DIMENSIONS: INCHES		CHK MJ SPICER 12MAR04			
TOLERANCES UNLESS OTHERWISE SPECIFIED:		APVD MJ SPICER 12MAR04	NAME TERMINAL, RING TONGUE, FLAG, HEAT RESISTANT STRATO-THERM		
0 PLC ± - 1 PLC ± - 2 PLC ± - 3 PLC ± .008 4 PLC ± - ANGLES ± -		PRODUCT SPEC - APPLICATION SPEC -	SIZE A2	CAGE CODE 00779	DRAWING NO C=696691
MATERIAL - 3	FINISH - 2	WEIGHT -	RESTRICTED TO -	SCALE 4:1	SHEET 1 of 1
CUSTOMER DRAWING			REV B		