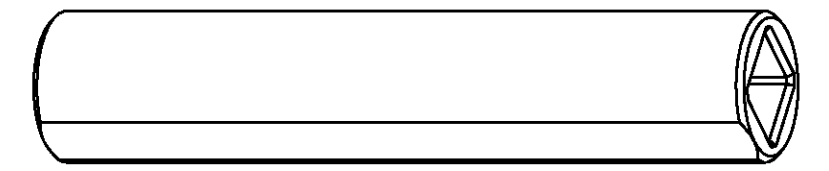


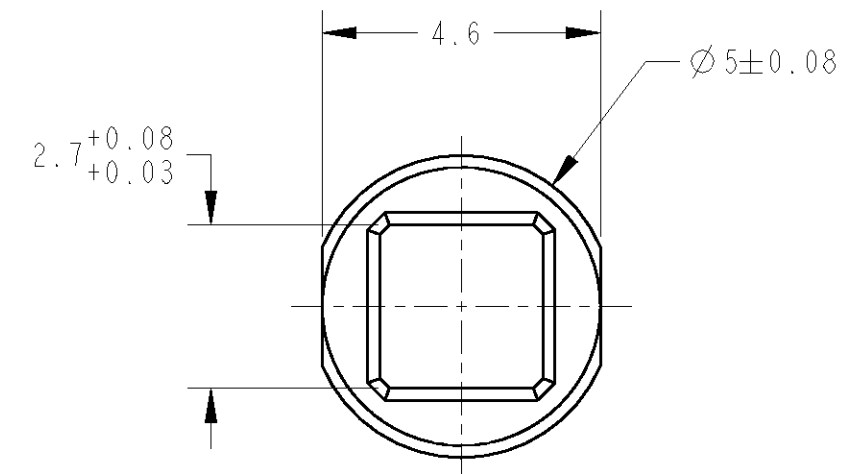
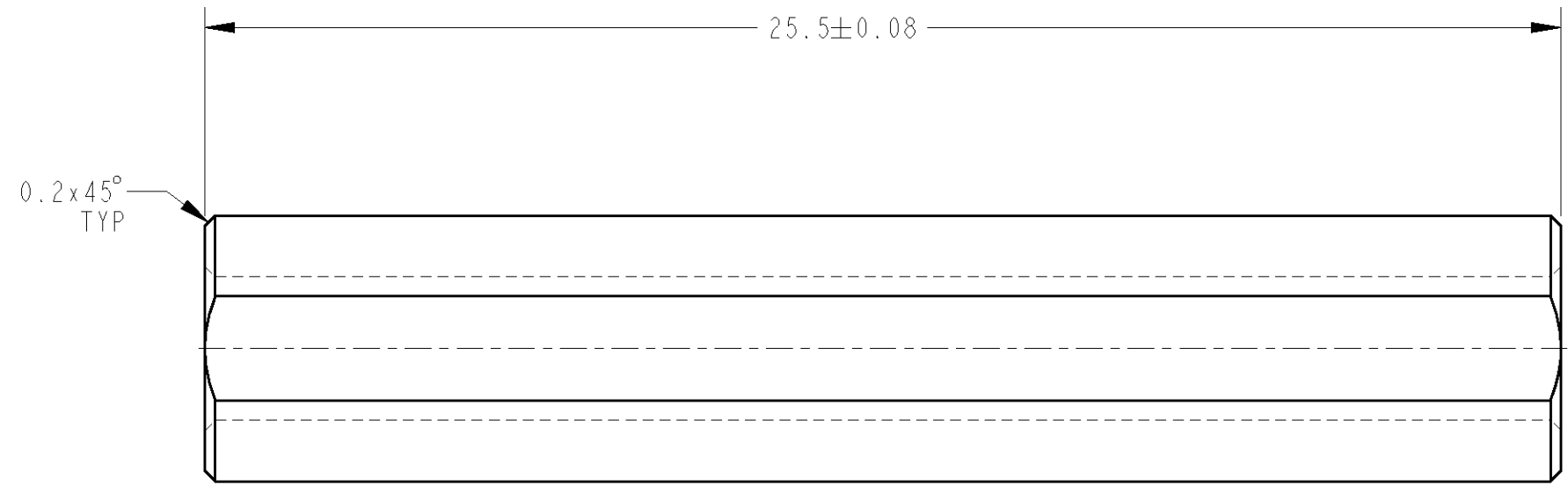
THIS DRAWING IS UNPUBLISHED. RELEASED FOR PUBLICATION 2003  
 © COPYRIGHT 2003 BY TYCO ELECTRONICS CORPORATION. ALL RIGHTS RESERVED.

LOC	DIST	REVISIONS					
		P	LTR	DESCRIPTION	DATE	DWN	APVD
J	-	0		RELEASED(FJ00-2628-02)	14DEC2002	M.K	Y.K

-1:AS SHOWN  
本図



SCALE 4:1



1. MATERIAL: ZINC ALLOY (DIECAST)  
 2. FINISH: OLL OVER NICKEL PLATING 1.27µmMIN

<small>THIS DRAWING IS A CONTROLLED DOCUMENT FOR TYCO ELECTRONICS CORPORATION          IT IS SUBJECT TO CHANGE AND THE CONTROLLING ENGINEERING ORGANIZATION          SHOULD BE CONTACTED FOR THE LATEST REVISION.</small>		DWN M. Kimura 14DEC2002 CHK Y. KASHIWA 16DEC2002 APVD Y. KASHIWA 16DEC2002		Tyco Electronics AMP K.K. Kawasaki, Japan	
DIMENSIONS: 单位: 毫 mm	TOLERANCES UNLESS OTHERWISE SPECIFIED: 一般公差 0 PLC ±0.25 1 PLC ±0.2 2 PLC ±0.15 3 PLC ± 4 PLC ± ANGLES ±2	PRODUCT SPEC 製品規格 - APPLICATION SPEC 取付適用規格 -		NAME 名称 BUSHING, SHAFT FOR TC ZIF CONNECTOR	
MATERIAL 材料 ZINC ALLOY (ZDC1)	FINISH 仕上 SEE NOTE	WEIGHT 2g	SIZE A3	CAGE CODE 00779	DRAWING NO 番号 C-1674568
CUSTOMER DRAWING			SCALE 尺度 8:1	SHEET OF 1	REV 0