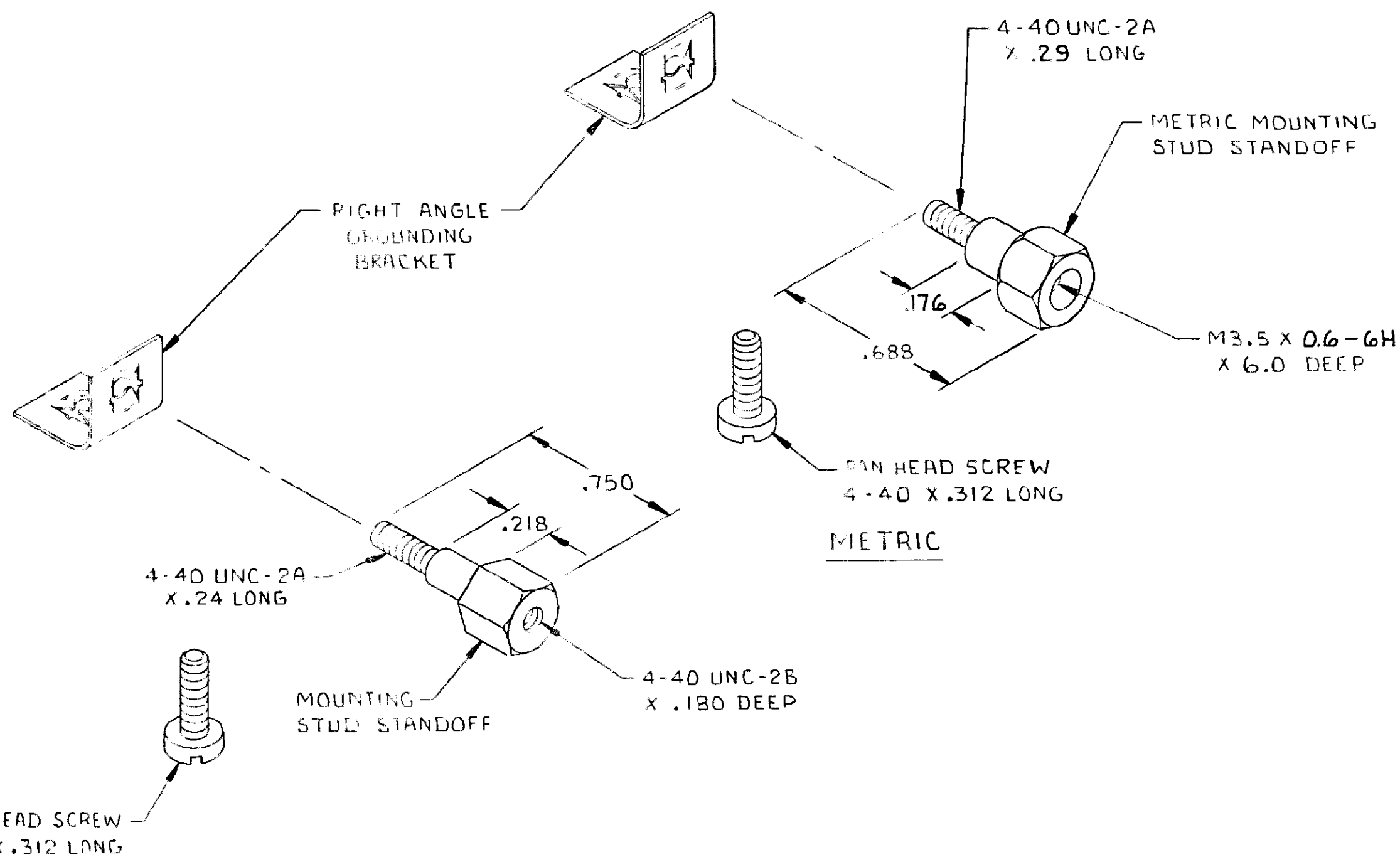


THIS DRAWING IS UNPUBLISHED. RELEASED FOR PUBLICATION . 19
 © COPYRIGHT 19 BY AMP INCORPORATED, HARRISBURG, PA. ALL INTERNATIONAL RIGHTS RESERVED. AMP PRODUCTS MAY BE COVERED BY U.S. AND FOREIGN PATENTS AND/OR PATENTS PENDING.

REVISIONS						
P	F	ZONE	LTR	DESCRIPTION	DATE	APPROVED
		C		OBS: -1; EC 0210-0373-95	11/17/81	DS PC



1. ALL DIMENSIONS SHOWN ARE FOR REFERENCE ONLY UNLESS OTHERWISE SPECIFIED.
 2. TWO PIECES OF EACH REQUIRED PER KIT.
 3. ALL HARDWARE SHIPPED UNASSEMBLED.
- △ MATERIAL: METRIC MOUNTING STUD - BLACK OXIDE COATED CARBON STEEL.
 MOUNTING STUD - ZINC PLATE WITH YELLOW CHROMATE OVER STEEL.
 PAN HEAD SCREW - PASSIVATED STAINLESS STEEL.
 BRACKET - ZINC PLATED STEEL.

STANDARD

553638

		METRIC	553638-2
		TYPE OF MOUNTING	PART NO
UNLESS OTHERWISE SPECIFIED DIMENSIONS ARE IN INCHES TOLERANCES ON: DECIMALS ± ANGLES ±		AMP AMP INCORPORATED Harrisburg, Pa 17105	
CONTRACT NO		NAME	
DR U Holt 11-12-81		KIT, HARDWARE, EMI, RIGHT ANGLE, STANDARD/METRIC (CHAMP)	
CHK MD Inert 11-25-81		DRAWING NO	
MATERIAL		SIZE	
△		C	
FINISH		FSCM NO	
△		00779	
OTHER APPD		DRAWING NO	
		553638	
		SCALE 2/1	
		SHEET 1 OF 1	