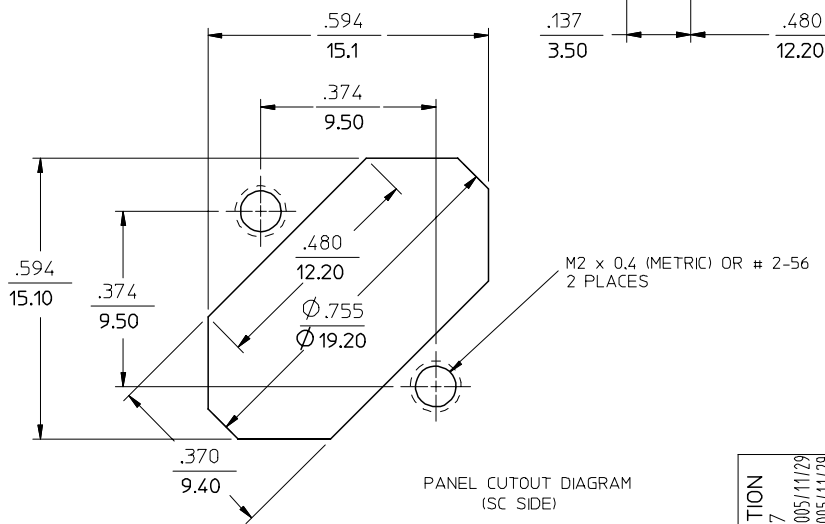
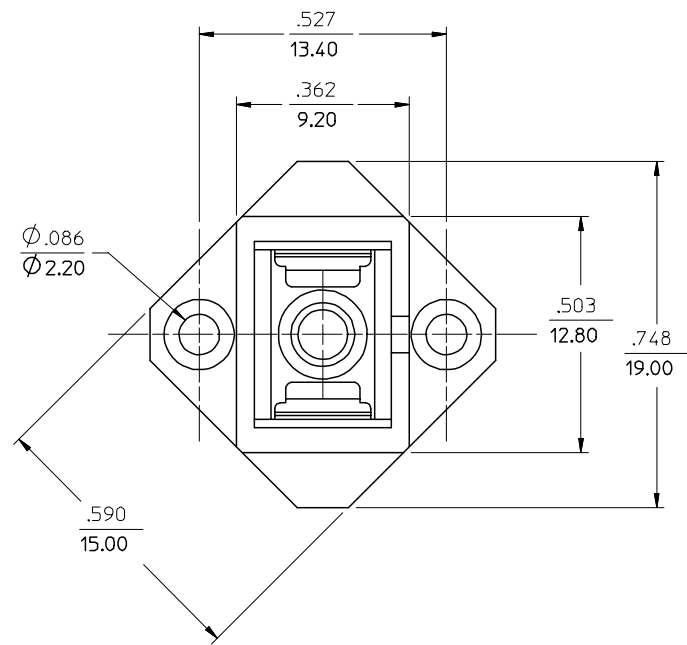
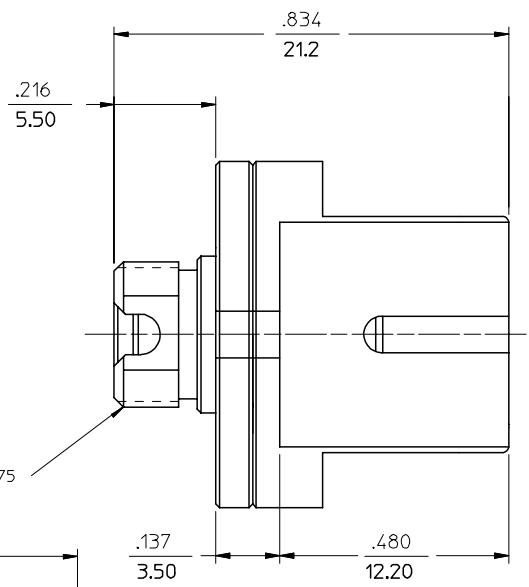


MOLEX P/N	MATERIAL OF SLEEVE
106160-0970	PHOSPHOR BRONZE
106161-0970	ZIRCONIA



PANEL CUTOUT DIAGRAM (SC SIDE)

ENTER DESCRIPTION	QUALITY SYMBOLS
EC NO: MF2006-0237	$\nabla=0$
DRWN:PGIBLIN 2005/11/29	$\nabla=0$
CHKD: 2005/11/29	
APPR: IGUMIN 2005/11/29	
REV	DESCRIPTION
A	

GENERAL TOLERANCES (UNLESS SPECIFIED)	
mm	INCH
4 PLACES ± .005	± .0004
3 PLACES ± .002	± .0001
2 PLACES ± .001	± .00005
1 PLACE ± .0005	± .00002
ANGULAR ±1/2°	
DRAFT WHERE APPLICABLE MUST REMAIN WITHIN DIMENSIONS	

DIMENSION STYLE	
IN/MM	
DRAWN BY	DATE
RPACIFICI	2005/10/13
CHECKED BY	DATE
APPROVED BY	DATE
MATERIAL NO.	DOCUMENT NO.
SEE TABLE	SD-10616X-XXX0
SIZE B	THIS DRAWING CONTAINS INFORMATION THAT IS PROPRIETARY TO MOLEX INCORPORATED AND SHOULD NOT BE USED WITHOUT WRITTEN PERMISSION

SCALE	DESIGN UNITS	THIRD ANGLE PROJECTION
4:1	INCH	
TITLE		
FC/SC METAL ADAPTER SQUARE FLANGE		
MOLEX INCORPORATED		
SHEET NO.		1 OF 01