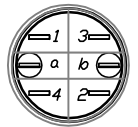
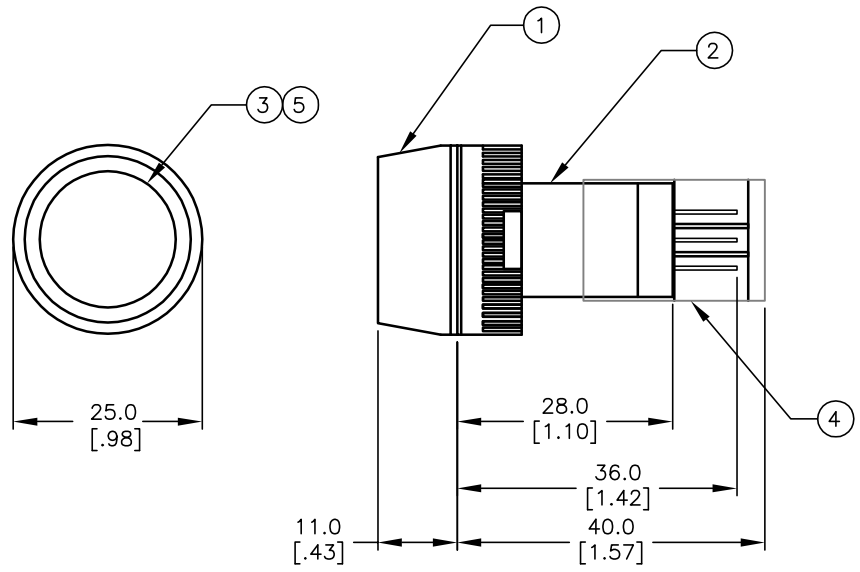


RECOMMENDED PANEL MOUNTING

1 0 0 2
 3 0 0 4
 a (L) b (+)

SPST
 CONTACT CONFIGURATION



PARTS LIST			
Item	Qty.	Dwg. No.	Part No.
1	1	F051702	25mm RING FOR LA SERIES
2	1	F060621	LAKOAV110 (BODY)
3	1	F061254	25mm GREEN LENS
4	1	F051601	P16 PLASTIC TERMINAL PROTECTOR
5	1	F050419	50-004-19 (GREEN LED)

- NOTES:
- ALL DIMENSIONS IN MM
 - GENERAL TOLERANCE: X.X=±0.4
X.XX=±0.25
 - RATINGS: 5A @250V AC;
8A @125V AC
 - CONTACT MATERIAL:
COPPER ALLOY W/Silver Plating
 - LAMP VOLTAGE: 12V DC

E-SWITCH®

TITLE LAKOAV11JGRNGRN

SCALE 1:1	DATE 7/26/04	DR AR	DWG XF0599P	REV A
-----------	--------------	-------	-------------	-------

A	14184	RELEASED FOR PRODUCTION	7/26/04	AR
REV.	ECN No.	DESCRIPTION	DATE	CHKD
THE INFORMATION CONTAINED IN THIS DOCUMENT IS PROPRIETARY TO E-SWITCH AND IS NOT TO BE COPIED OR TRANSFERRED				