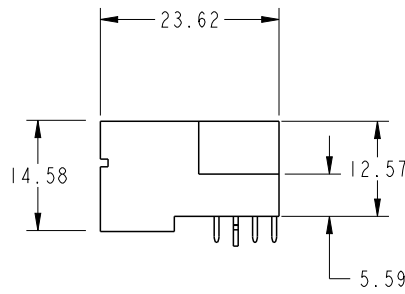
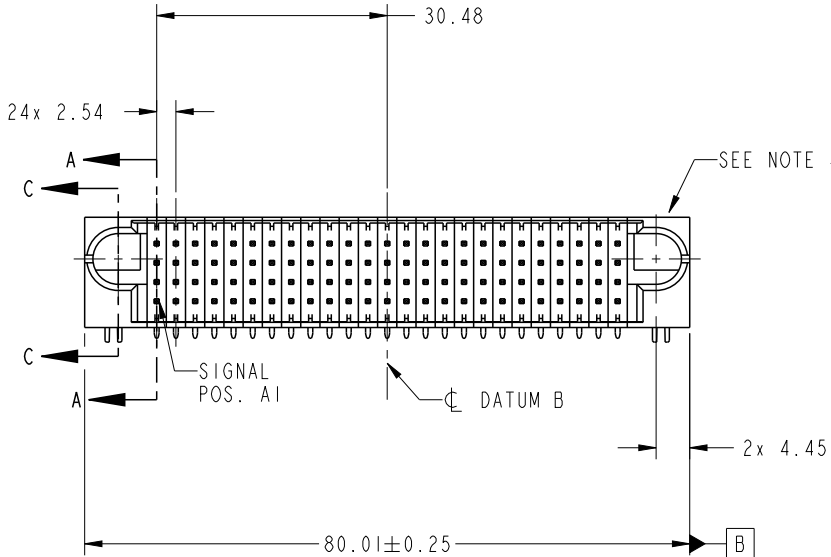


PRODUCT NO.	ROWS	SIGNAL																									
		E1	1	2	3	4	5	6	7	8	9	10	11	12	13	14	15	16	17	18	19	20	21	22	23	24	25
51939-910-- NOTE 3	D C B A																										



CODE	DIM "M" MATING LENGTH	CONTACT TYPE
H	[5.59]	SIGNAL
G	[5.59]	SIGNAL
F	[5.59]	SIGNAL
E	[5.59]	SIGNAL
HA	[N/A]	HOLD-DOWN



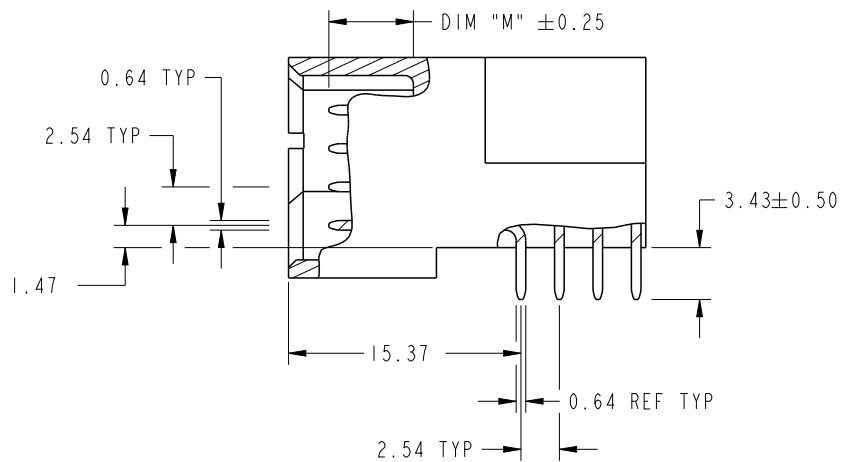
Copyright FCI.

spec ref	*	dr	Ruan MT	2014/07/22	projection	MM	size	A4	scale	1:1		
tolerance std	ASME Y14.5	eng	Ruan MT	2014/07/29			ecn no	-				
TOLERANCES UNLESS OTHERWISE SPECIFIED		chr	-	-	product family							PwrBlade
surface	✓	appr	Pei-Ming Zheng	2014/07/29	title		100S		dwg no	51939-910	rev	A
ASME Y14.5	linear	0.X ±0.5		FCI		RIGHT ANGLE STB HEADER						
		0.XX ±0.25		www.fci.com		cat. no.		-		Product - Customer Drw		sheet 1 of 4
	angular	0° ±2°										

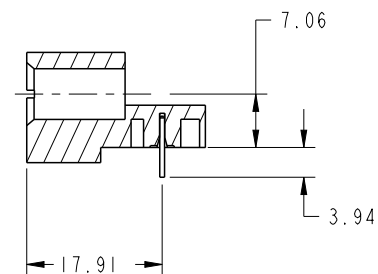
PrdE File - REV C - 2009-06-09

PRODUCT NUMBER

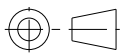
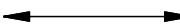

51939-910--  
NOTE: 3



BROKEN-OUT SECTION A-A  
SCALE 2:1



SECTION C-C

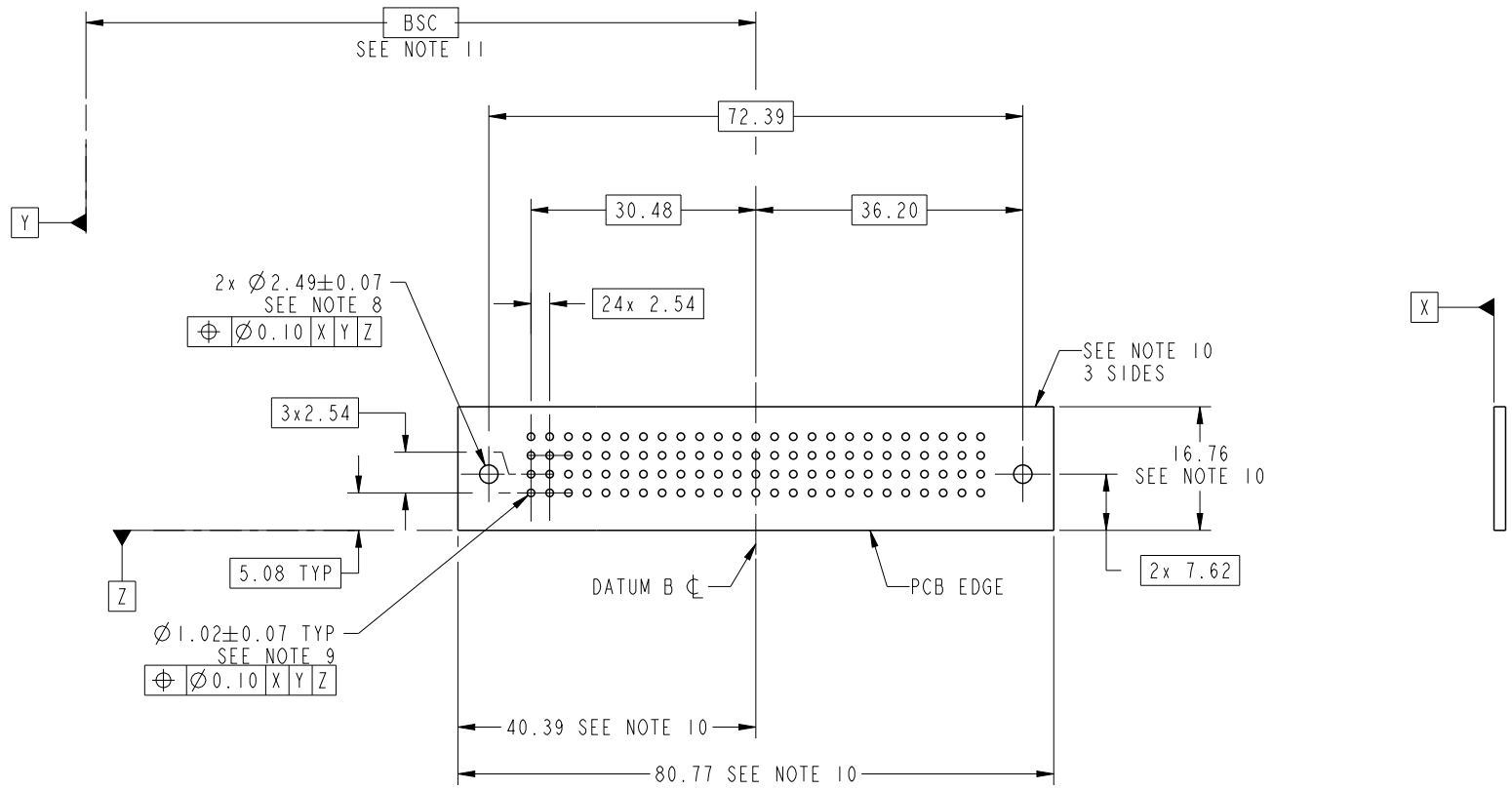
dr	Ruan MT	2014/07/22	projection 	MM 	size	A4	scale	1:1
eng	Ruan MT	2014/07/29			ecn no	-		
chr	-	-			rel level	Released		
appr	Pei-Ming Zheng	2014/07/29	product family	PwrBlade	rev	A		
		title	100S RIGHT ANGLE STB HEADER		dwg no	51939-910		
www.fci.com		cat. no.	-		Product - Customer Drw		sheet 2 of 4	



Copyright FCI.

PRODUCT NUMBER

51939-910\_\_  
NOTE: 3



RECOMMENDED PCB LAYOUT

dr	Ruan MT	2014/07/22	projection 	MM ←→	size	A4	scale	1:1
eng	Ruan MT	2014/07/29			ecn no	-		
chr	-	-			rel level	Released		
appr	Pei-Ming Zheng	2014/07/29	product family	PwrBlade				
	title	100S RIGHT ANGLE STB HEADER		dwg no	51939-910		rev	A
www.fci.com	cat. no.	-	Product - Customer Drw		sheet 3 of 4			

PRODUCT NUMBER

51939-910\_\_  
NOTE: 3

NOTES:

1. DIMENSIONS AND TOLERANCES ARE IN ACCORDANCE WITH ASME Y14.5M, 1994 UNLESS OTHERWISE SPECIFIED.

CONNECTOR NOTES:

- 2. HOUSING MATERIAL: UL 94 V-0 GLASS FILLED HIGH-TEMP THERMOPLASTIC  
POWER CONTACT MATERIAL: COPPER ALLOY  
SIGNAL PIN MATERIAL: COPPER ALLOY
- 3. SEE ITEM 1 & 2 IN PRINT 10064183 FOR PLATING SPEC OF 51939-910 AND 51939-910LF RESPECTIVELY.
- 4. MANUFACTURER'S NAME, DATE CODE AND OPTIONAL P/N TO APPEAR ON THIS SURFACE. THE MARK CAN BE OMITTED IF THERE IS NOT ENOUGH SPACE ON THIS SURFACE.
- 5. PRODUCT SPECIFICATION GS-12-149.  
APPLICATION SPECIFICATION BUS-20-067.
- 6. PACKAGED IN TRAYS.

PCB NOTES:

- 7. ALL HOLE DIAMETERS ARE FINISHED HOLE SIZE.
- 8. MOUNTING HOLES, WHERE APPLICABLE, ARE UNPLATED.
- 9.  $\varnothing 1.151 \pm 0.025$  DRILLED HOLES PLATED WITH  
0.008 MIN SnPb OR Sn OVER 0.03  
TO 0.08 Cu PLATING TO ACHIEVE  
 $\varnothing 1.02 \pm 0.07$  HOLE.
- 10. CONNECTOR KEEP-OUT ZONE.
- 11. DATUM AND BASIC DIMENIONS ARE ESTABLISHED BY CUSTOMER.

dr	Ruan MT	2014/07/22	projection 	MM 	size	A4	scale	1:1	
eng	Ruan MT	2014/07/29			ecn no	-			
chr	-	-							
appr	Pei-Ming Zheng	2014/07/29	product family	PwrBlade	rel level	Released			
		title	100S RIGHT ANGLE STB HEADER		dwg no	51939-910		rev	A
www.fci.com		cat. no.	-		Product - Customer Drw			sheet 4 of 4	



Copyright FCI.