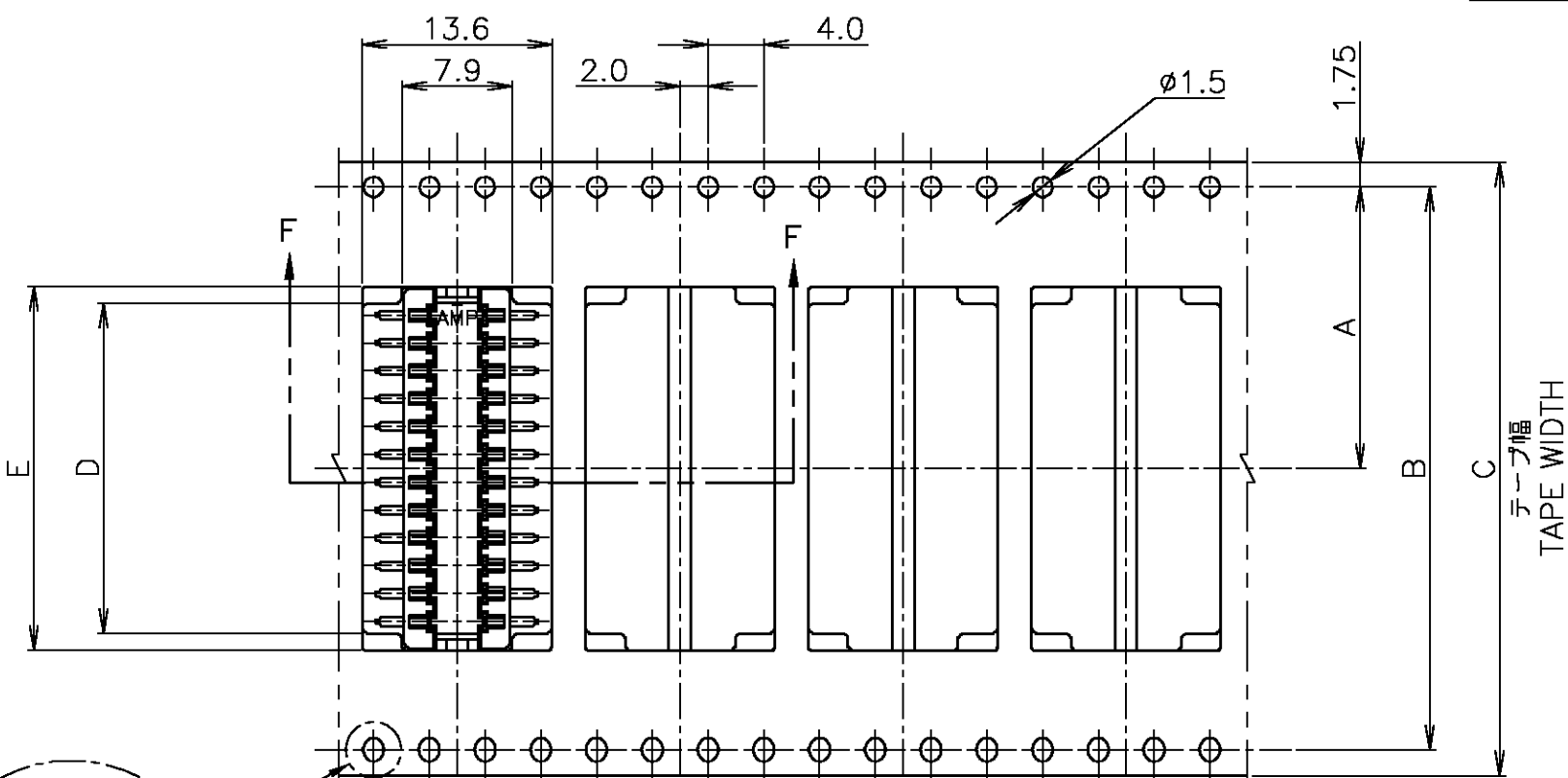
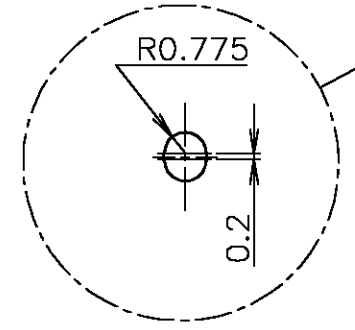


LOC	DIST	REVISIONS					
J		P	LTR	DESCRIPTION	DATE	DWN	APVD
		B		REVISED	FJB0-0346-03	28APR03	T.K Y.Y



注記
 1. リセコンタクト仕上げ: ニッケル下地 錫めっき

NOTES
 1. REC CONTACT FINISH :
 TIN PLATING, Ni UNDER PL. ALL OVER



16.0
 PITCH
 ピッチ

カバーテープ
 リーダー部
 外周一卷
 WEEDING THE COVER TAPE
 AROUND THE OUTER
 PERIPHERY IN
 A TURN.

引出し方向
 TOP OF REEL →

剥離角度、165° ~ 180°
 PEELING ANGLE.

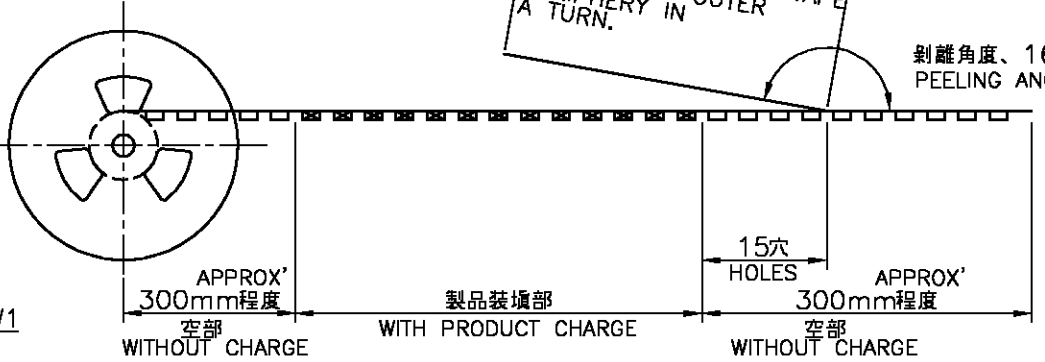
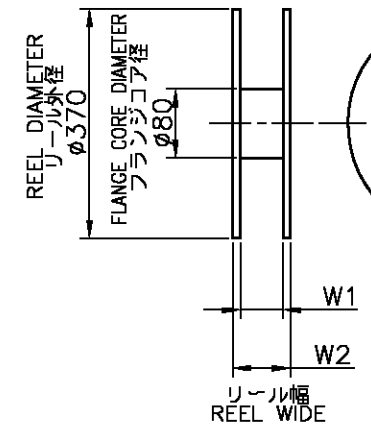
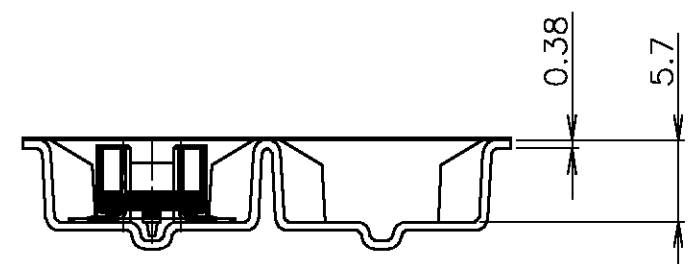


Fig-2

Pb FREE VERSION	49.5	45.5	32.1	29.6	44.0	40.4	20.2	800	30	3-917945-1	3-917946-1
REMARKS	DIMENSIONS							数量(ヶ)	個数	コネクタ型番(バラ状)	リール巻コネクタ型番
	W2	W1	E	D	C	B	A	QTY/REEL	Pos.	CONN P/N (L/P)	TAPING P/N

THIS DRAWING IS A CONTROLLED DOCUMENT.

DWN: K.ASAKAWA 04APR95
 CHK: S.KUBOUCHI 05APR95
 APVD: S.KUBOUCHI 05APR95

tyco Electronics Tyco Electronics AMP K.K. Kawasaki, Japan

NAME 名称: 2.0 A-F CONN. REC ASSEMBLY (V-TYPE) ON TAPING

PRODUCT SPEC 製品規格
 APPLICATION SPEC 取付適用規格
 WEIGHT

SIZE: A3 CAGE CODE: 00779 DRAWING NO: 917946 RESTRICTED TO: -

CUSTOMER DRAWING SCALE: NTS SHEET: 1 OF 1 REV: B