

## Overview

## Applications

- Consumer Electronics
- Common mode choke

---

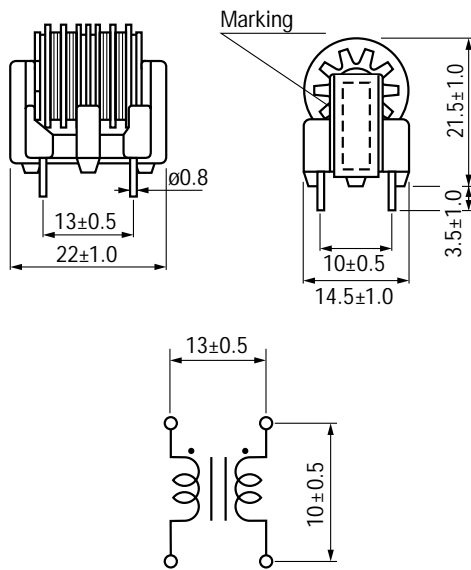
## Benefits

- Inductances up to 82 mH
- Rated Currents up to 3 A

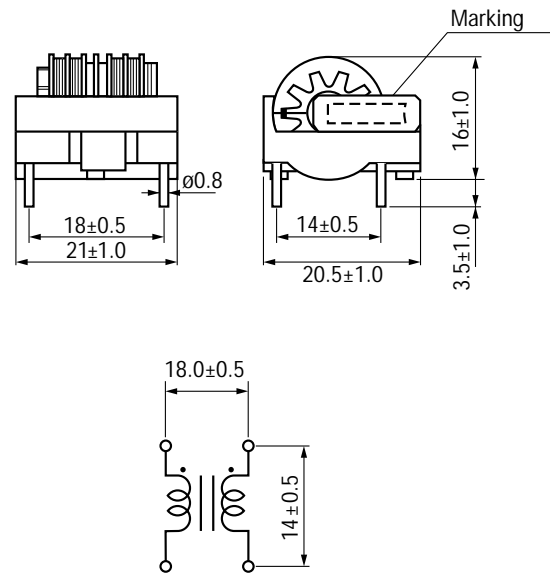


## Dimensions – Millimeters

SS11V-CH



SS11H-CH



## Environmental Compliance

All KEMET AC Line Filters are RoHS Compliant.



RoHS Compliant

---

## Table 1 – Ratings & Part Number Reference

(1) To complete KEMET part number, insert V for vertical core type or H for horizontal core type.

---

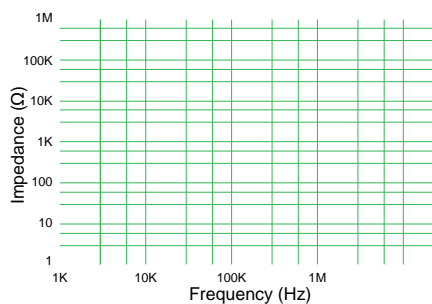
## Specifications



---

## Frequency Characteristics

## Frequency Characteristics Cont'd



## Notes on Use

### Shelf Life

- before use.

### Storage Condition

- Avoid storage in high temperature and high humidity environment, as such condition may deteriorate the solderability of external electrode.
- Avoid storage in atmosphere containing toxic gases or acid (e.g., sulphur and chlorine), as such gas may deteriorate the solderability of external electrode.
-

---

## KEMET Electronics Corporation Sales Offices

---

### Disclaimer

checking and verifying the extent to which the Information contained in this publication is applicable to an order at the time the order is placed.

All Information given herein is believed to be accurate and reliable, but it is presented without guarantee, warranty, or responsibility of any kind, expressed or implied.

The Information is intended for use only by customers who have the requisite experience and capability to determine the correct products for their application. Any technical advice inferred from this Information or otherwise provided by KEMET with reference to the use of KEMET's products is given gratis, and KEMET assumes no obligation or liability for the advice given or results obtained.

Although KEMET designs and manufactures its products to the most stringent quality and safety standards, given the current state of the art, isolated component failures may still occur. Accordingly, customer applications which require a high degree of reliability or safety should employ suitable designs or other safeguards property damage.

measures may not be required.

*KEMET is a registered trademark of KEMET Electronics Corporation.*