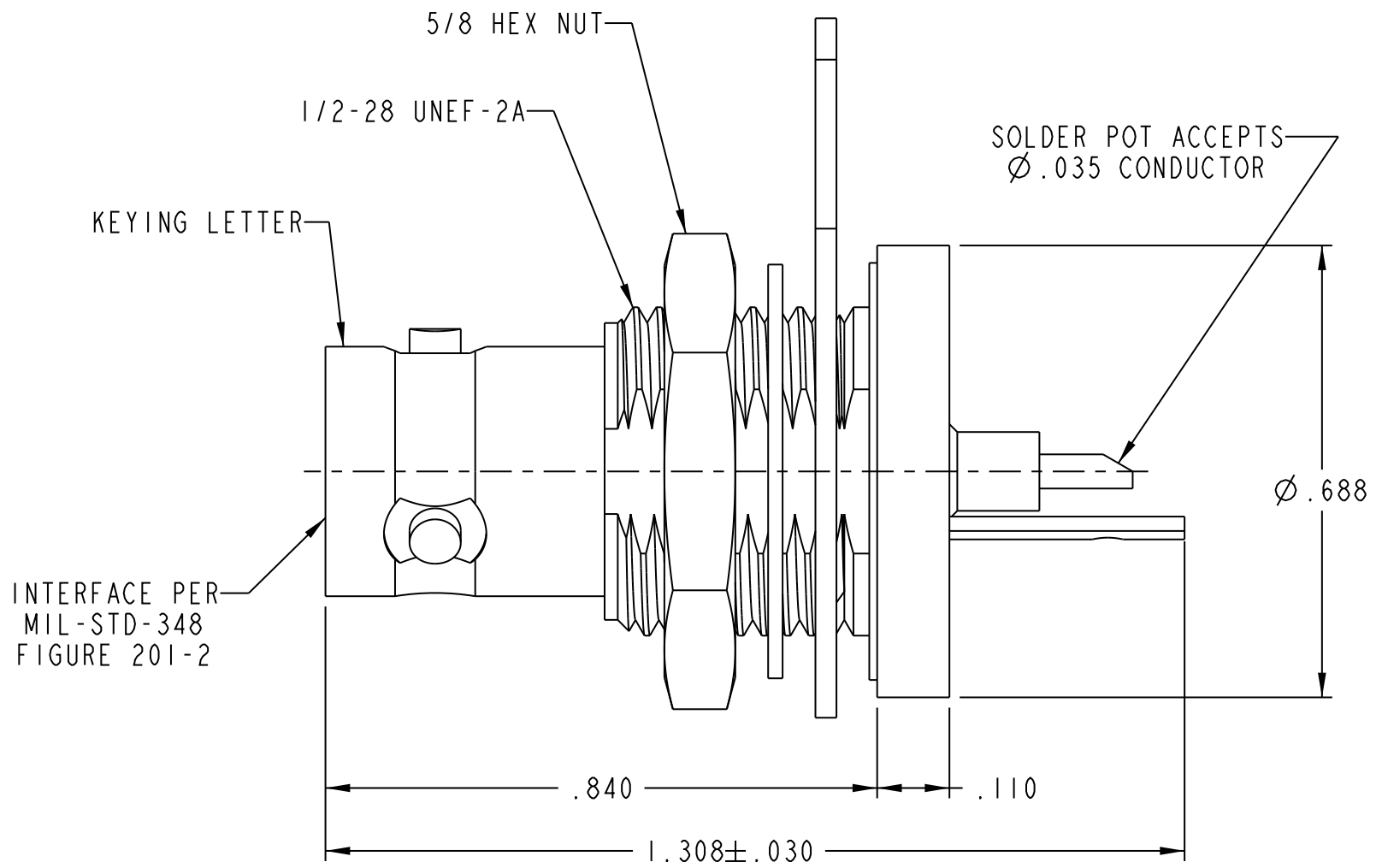
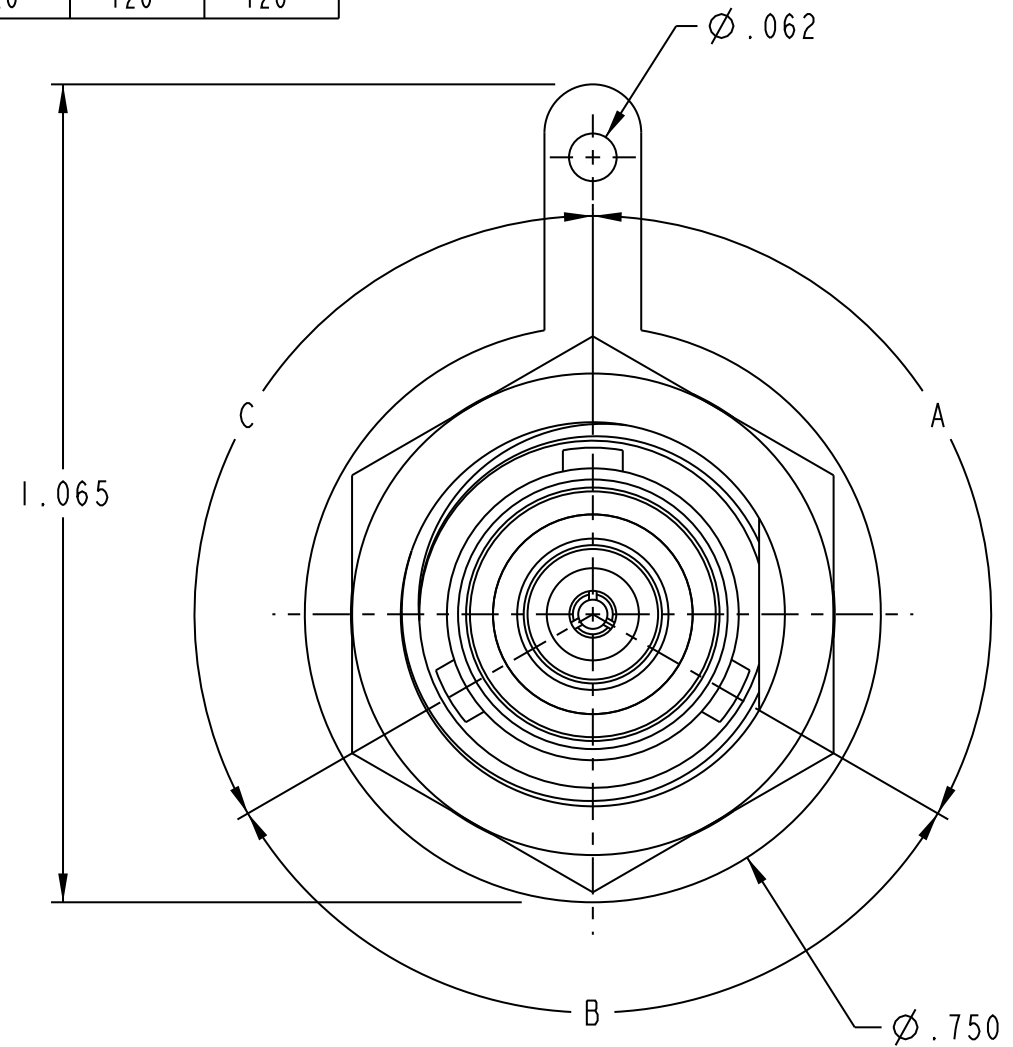
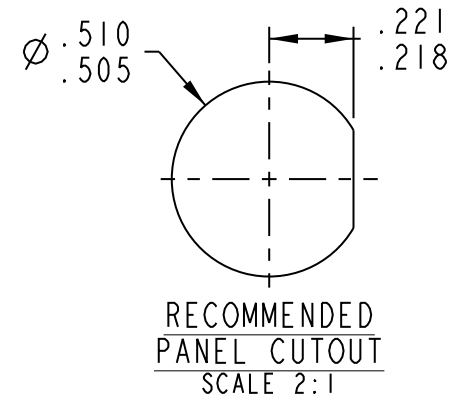


POLARIZATION CHART				
DASH NO	KEYING LETTER	A DEGREES	B DEGREES	C DEGREES
-1	T	100°	150°	110°
-2	U	120°	130°	110°
-3	V	115°	130°	115°
-4	W	125°	110°	125°
-5	X	130°	100°	130°
-6	Y	110°	140°	110°
-7	Z	100°	160°	100°
-8	S	135°	135°	90°
-9	NONE	120°	120°	120°

TABLE 2		
MILITARY PART NO.	TROMPETER PART NO.	NSN
M49142/04-0004	3-0328-9	5935013185146
M49142/04-0104	3-0328-6	5935014828780
M49142/04-0204	3-0328-8	—

DATA CONTAINED IN THIS DOCUMENT IS PROPRIETARY TO EMERSON CONNECTIVITY SOLUTIONS AND SHALL NOT BE DISCLOSED, COPIED OR USED FOR PROCUREMENT OR MANUFACTURE WITHOUT EXPRESS WRITTEN PERMISSION

REVISIONS			
REV	DESCRIPTIONS	DATE	APPROVED
J	ECO 54813	12/12/13	C. MONAHAN



NOTES: UNLESS OTHERWISE SPECIFIED.

INTERPRET DRAWING PER MIL-STD-100. DIMENSIONS ARE IN INCHES AND INCLUDE FINISH THICKNESS UNLESS OTHERWISE SPECIFIED.		TOL: UNLESS SPECIFIED. .XX ± .02 .XXX ± .005 .XXXX ± ANGLE ± 1° 00' CRITICAL		Connectivity Solutions 299 Johnson Ave. Ste. 100 Waseca, MN 56093 1-800-247-8256	
DRN	C. WALLACE	12/12/13	MATERIAL:	TITLE: M49142/04 SOLDER POT BULKHEAD TRB JACK	
CHK	C. MONAHAN	12/13/13	FINISH:	SIZE	B 14949
QUALITY				CAGE CODE	14949
MANUF				DRAWING NO.	3-0328
APPROVED				REV.	J
PROJ/FILE NO.	3-0328		DO NOT SCALE DWG	SCALE	4/1
SURFACE AREA				DATE	10/21/10
				SHEET	1 OF 2