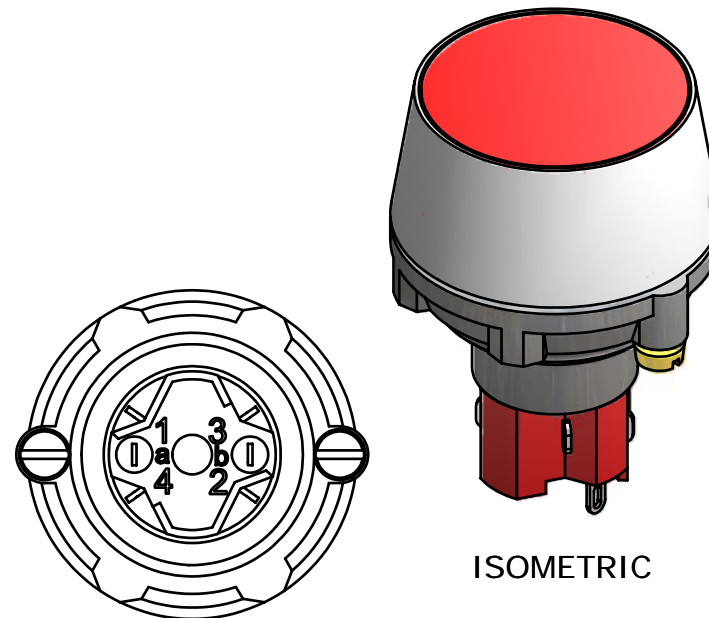


| Parts List | | | |
|------------|-----|-------------|-------------------------|
| ITEM | QTY | PART NUMBER | DESCRIPTION |
| 1 | 1 | F060610 | LASOAU11 |
| 2 | 1 | F051701 | 29MM RING FOR LA |
| 3 | 1 | F050420 | 50-004-20 12VDC LED RED |
| 4 | 1 | F060295 | 29mm RED LENS |



- NOTE:
- ALL DIMENSIONS IN MM [INCH]
 - GENERAL TOLERANCE: X.X=±0.4
X.XX=±0.25
 - TERMINAL NUMBERS FOR REF ONLY
 - RATING: 5 AMPS @ 250VAC UL, VDE APPROVED
6 AMPS @ 24VDC UL, VDE APPROVED
 - ELECTRIC LIFE: 25,000 MAKE-AND-BREAK CYCLES AT FULL LOAD.
 - INSULATION RESISTANCE: 1,000 MEGA-OHM MIN.
 - OPERATING TEMP.: -25°C to 55°C
 - LAMP VOLTAGE: 12VDC RED LED
 - ▲ DENOTES CRITICAL PARAMETER.
 - 2002/95/EC (ROHS) COMPLIANT

E-SWITCH®

| | | | | |
|-----|--------|-------------------------|----------|----|
| A | 16743 | RELEASED FOR PRODUCTION | 12/12/06 | TN |
| REV | PCR NO | DESCRIPTION | DATE | BY |

THE INFORMATION CONTAINED IN THIS DOCUMENT IS PROPRIETARY TO E-SWITCH AND IS NOT TO BE COPIED OR TRANSFERRED

| | | | | |
|-----------------------|------------|----|---------|-----|
| TITLE LASOAU11JREDRED | | | | |
| SCALE | DATE | DR | DWG | REV |
| 1.5:1 | 12/12/2006 | TN | XF0700P | A |