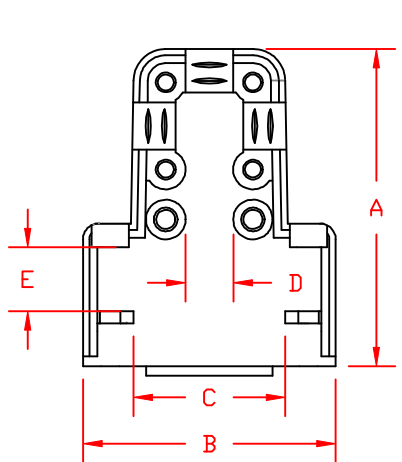


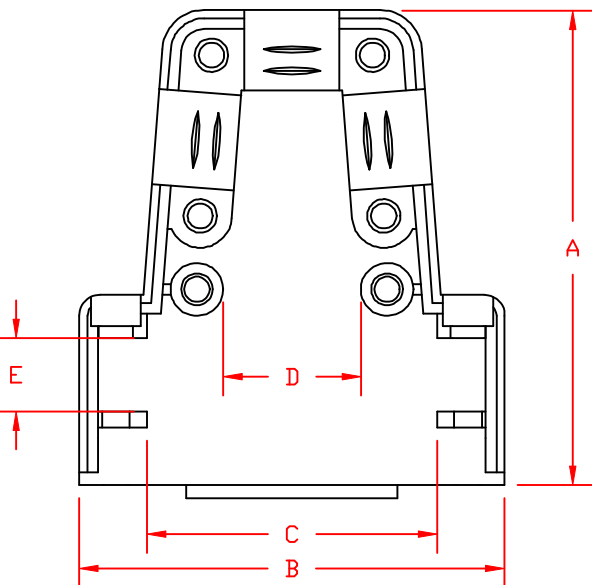
DIMENSIONS (IN.)

	9	15	25	37
A	1.574	1.771	1.771	1.771
B	1.256	1.586	2.126	2.775
C	0.758	1.116	1.653	2.284
D	0.237	0.512	0.787	1.225
E	0.284	0.284	0.284	0.284

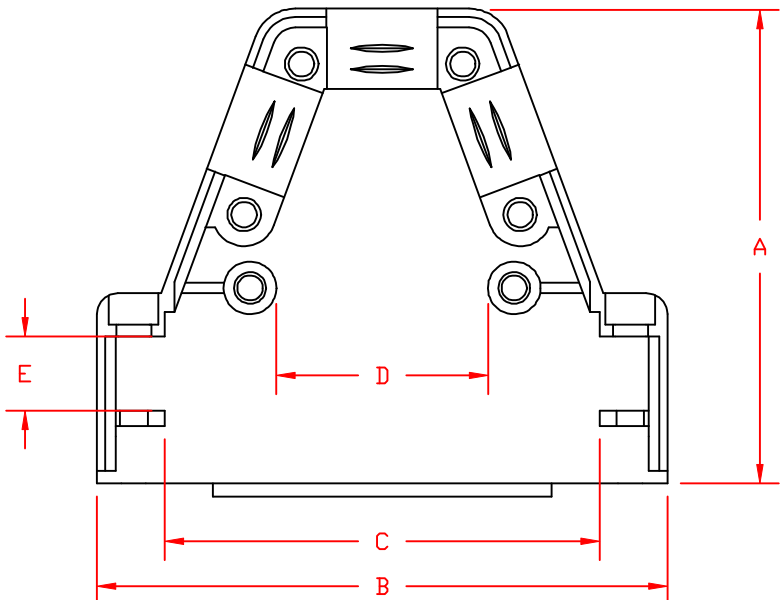
**NOTE:**  
 THESE DIMENSIONS ARE GOOD FOR THE  
 PLASTIC AND METALIZED PLASTIC  
 BACK SHELLS



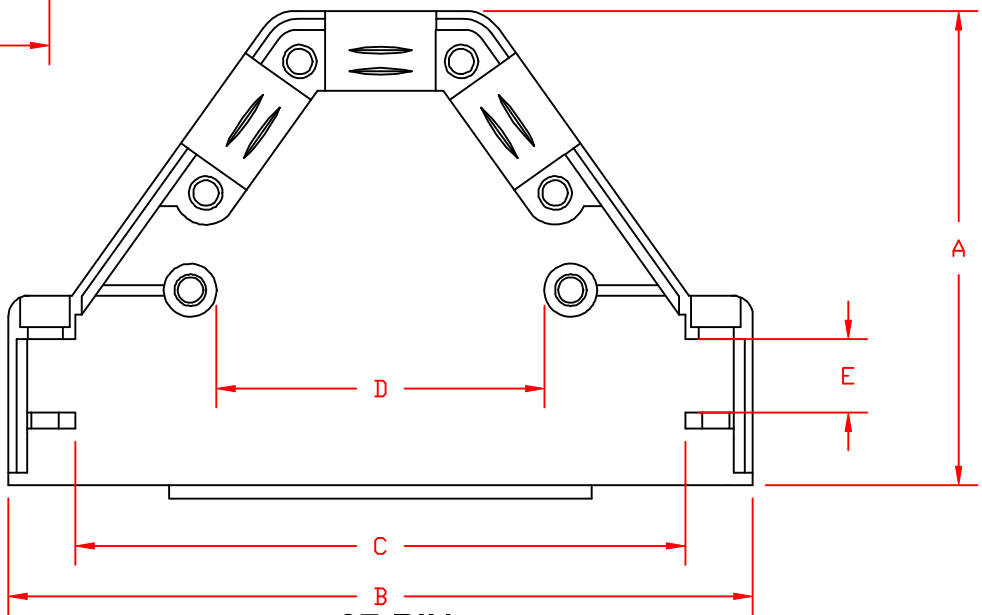
9-PIN



15-PIN




25-PIN



37-PIN

**PLASTIC &  
 METALIZED  
 PLASTIC**

RoHS COMPLIANT

	THESE DRAWINGS AND SPECIFICATIONS ARE THE PROPERTY OF NorComp AND SHALL NOT BE REPRODUCED, COPIED OR USED AS THE BASIS FOR THE MANUFACTURE OF SALE OF APPARATUS WITHOUT WRITTEN PERMISSION.		DRAWN: <b>M. SIGMON</b>	DATE: 03-22-11
			CHECKED: <b>X</b>	DATE: X
<h1>NorComp</h1>		SCALE: N.T.S.	SHEET 1 OF 1	REV 0
		DWG NO. ID - 975T SERIES		