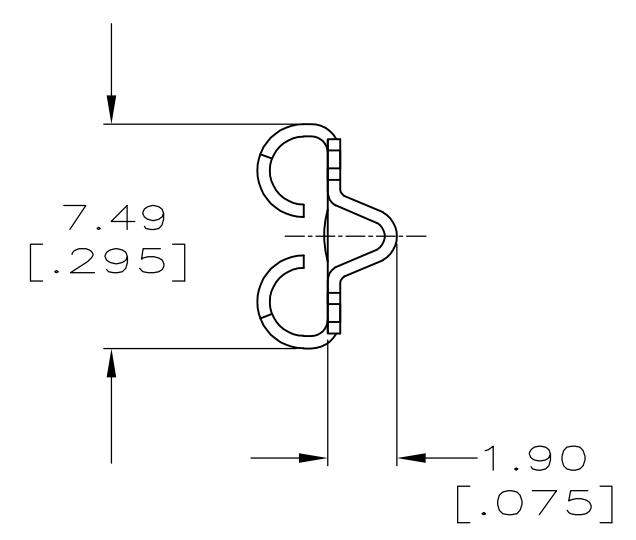
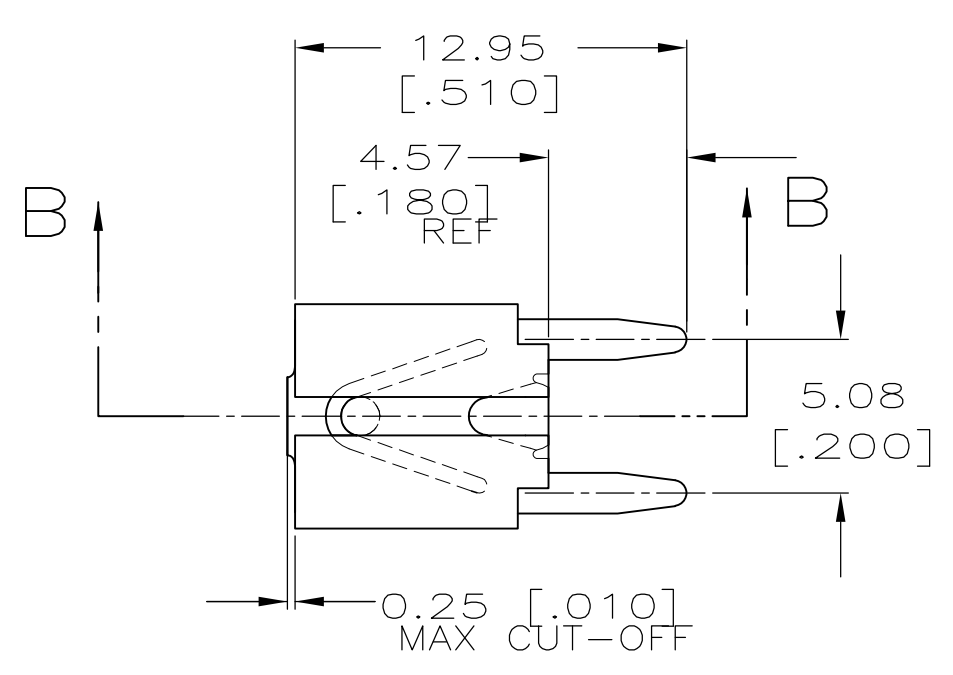
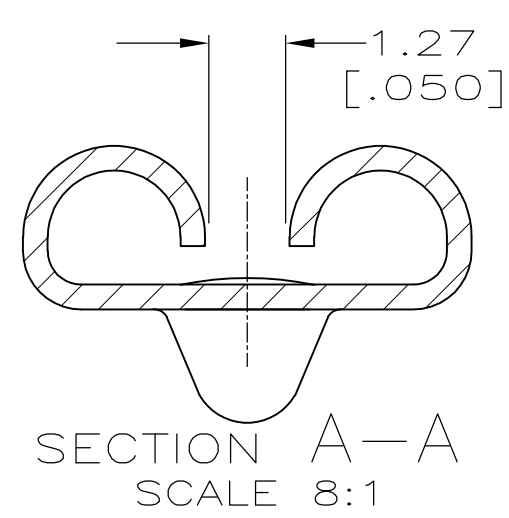
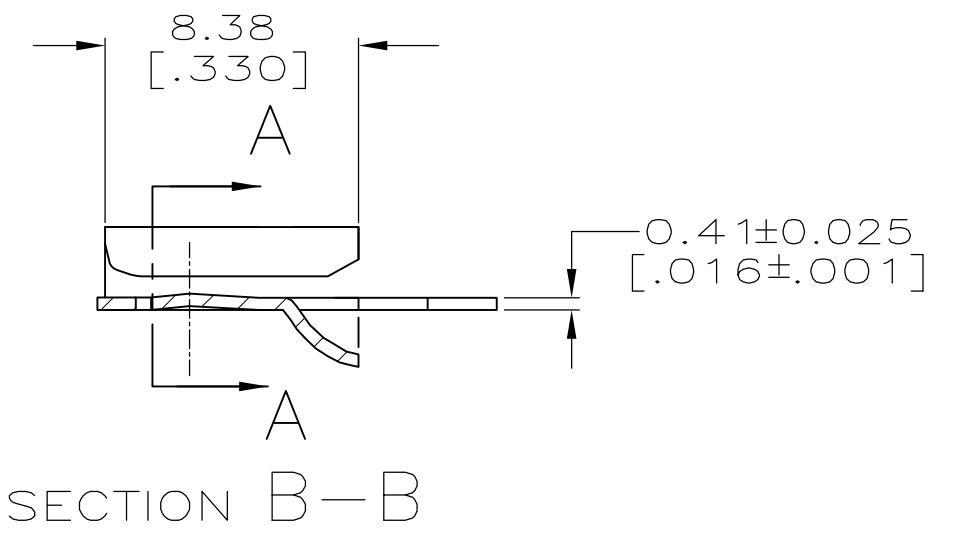
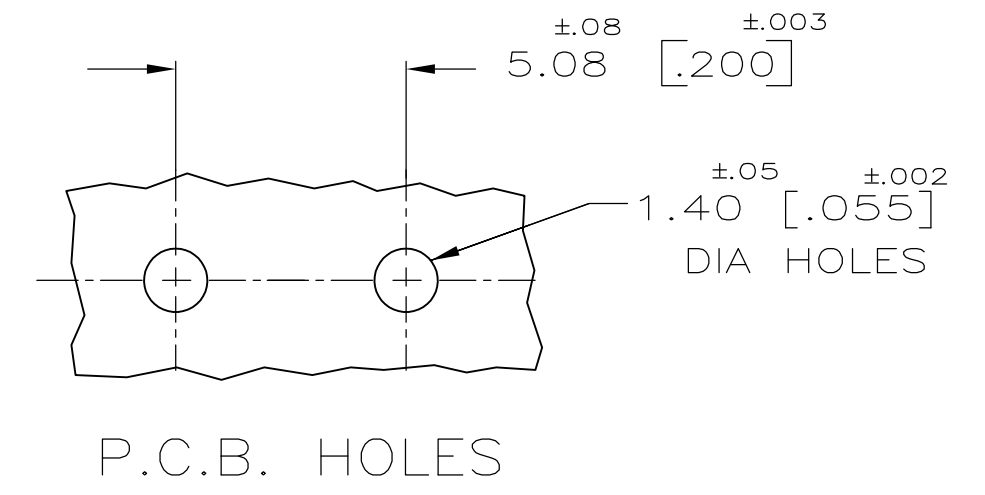


THIS DRAWING IS UNPUBLISHED. RELEASED FOR PUBLICATION
 © COPYRIGHT - By - ALL RIGHTS RESERVED.

LOC	DIST	REVISIONS			
P	LTR	DESCRIPTION	DATE	DWN	APVD
AF	50	B	REVISED PER ECR-12-013518	23NOV2012	KH PD



- 1 SUPPLIED IN LOOSE PIECE.
- △2 0.00254 [.000100] MIN THK TIN OVER 0.00127 [.000050] MIN NICKEL
- 3 MATING TAB THK IS 0.635±0.025 [.025±.001].
- △4 PREPRODUCTION - FASR REQ



△4 1217422-1
PART NO

THIS DRAWING IS A CONTROLLED DOCUMENT.		DWN JR RUTH 26MAY00	TE Connectivity RECEPTACLE, FASTON™ [.250/.205] SERIES, PC BOARD MOUNTED				
DIMENSIONS: mm [INCHES]		CHK MS FEHER 26MAY00				NAME	RESTRICTED TO
TOLERANCES UNLESS OTHERWISE SPECIFIED:		APVD P DESANTIS 26MAY00				PRODUCT SPEC	SIZE
0 PLC ± - 1 PLC ± - 2 PLC ± 0.25 [.010] 3 PLC ± - 4 PLC ± - ANGLES ± -		APPLICATION SPEC				CAGE CODE	DRAWING NO
MATERIAL BRASS		FINISH △2 TIN OVER NICKEL	WEIGHT -	A3 00779	SCALE 4:1		
CUSTOMER DRAWING			RESTRICTED TO -	SHEET 1 OF 1	REV B		