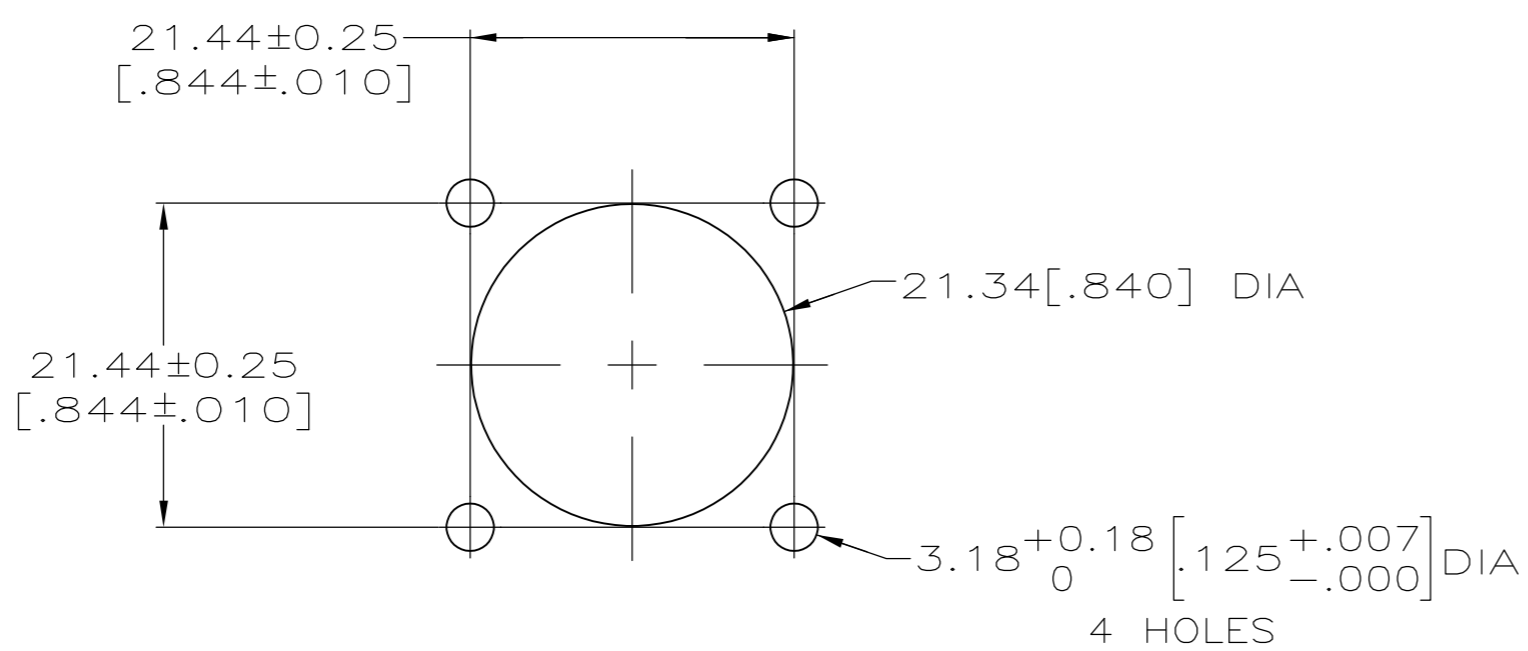
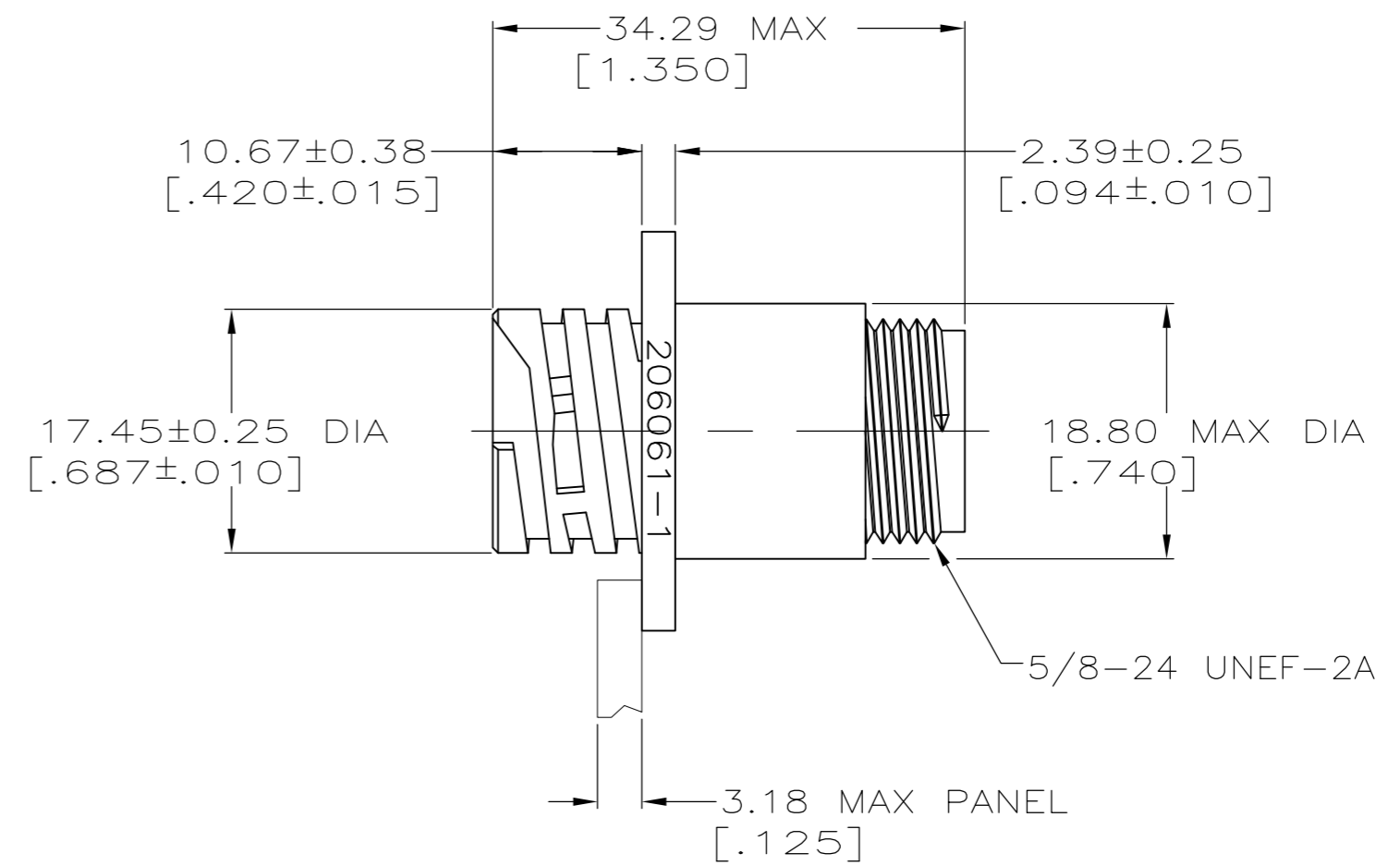
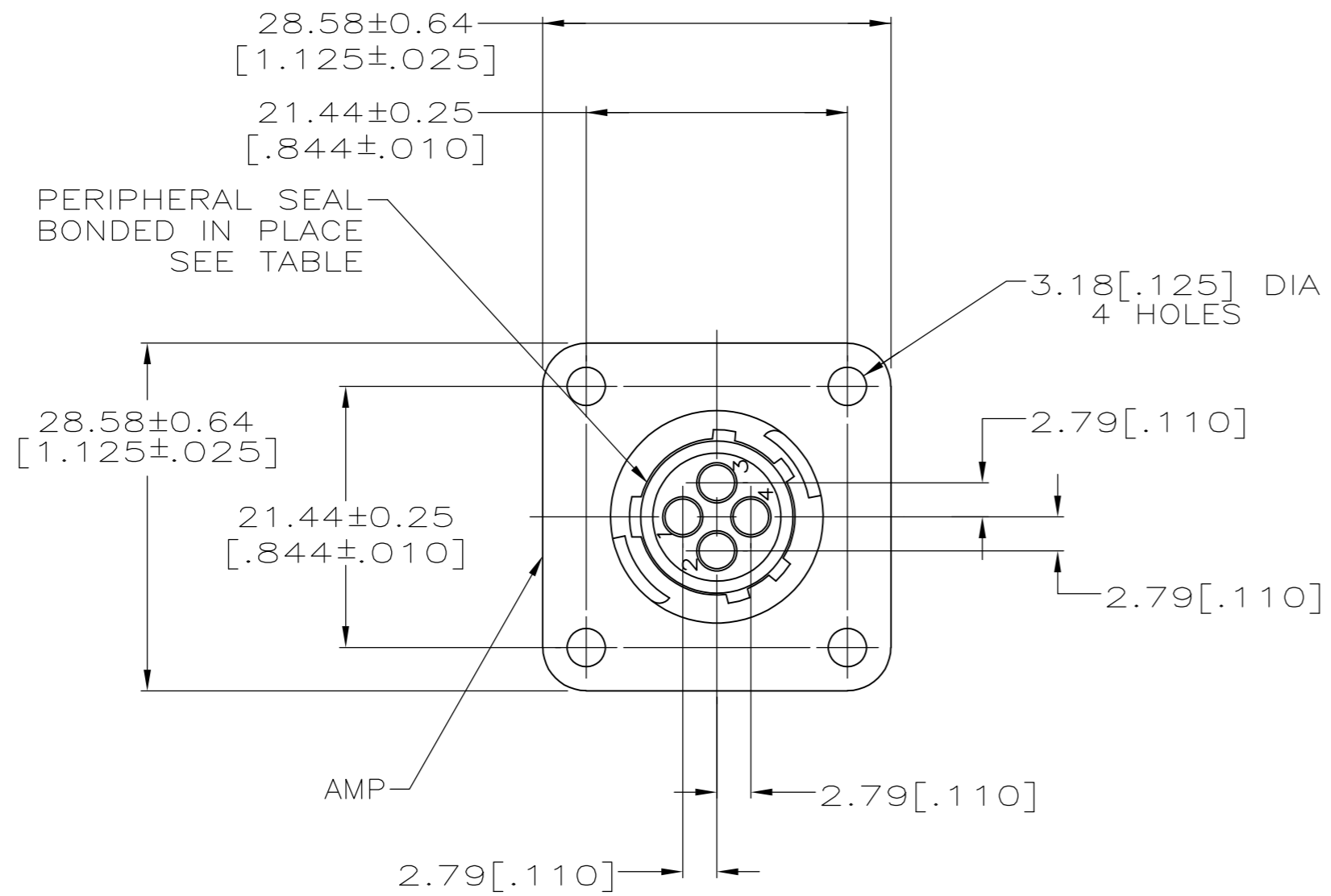
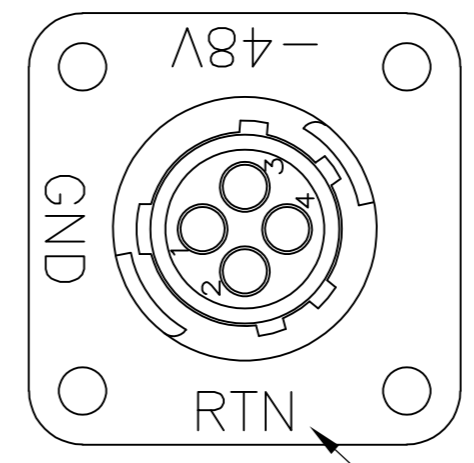


THIS DRAWING IS UNPUBLISHED. RELEASED FOR PUBLICATION  
 © COPYRIGHT - By - ALL RIGHTS RESERVED.

LOC		DIST		REVISIONS			
P	LTR	DESCRIPTION		DATE	DWN	APVD	
FT	0	F1	REVISED PER ECO-11-004587	11MAR11	RK	HMR	



RECOMMENDED PANEL CUTOUT



DETAIL A -5 ONLY  
 RTN, GND AND -48V MARKED WITH WHITE INK, .118 MAX.

DETAIL A	STANDARD	NO	206061-5
-	SMALL PACK	NO	206061-3
-	STANDARD	YES	206061-2
-	STANDARD	NO	206061-1
MARKING	PACKAGING	PERIPHERAL SEAL	PART NO.

- NOTES:
1. CAVITY IDENTIFICATION ON FRONT AND REAR FACE.
  2. WILL ACCEPT FOUR (4) MULTIMATE PIN CONTACTS.

THIS DRAWING IS A CONTROLLED DOCUMENT.		DWN	07/26/93		TE Connectivity
		CHK	08/11/93		
DIMENSIONS: INCHES		TOLERANCES UNLESS OTHERWISE SPECIFIED:		NAME	
		0 PLC ± - 1 PLC ± - 2 PLC ± 0.13 [.005] 3 PLC ± - 4 PLC ± - ANGLES ± -		PRODUCT SPEC 108-10024 APPLICATION SPEC	
MATERIAL: NYLON, BLACK		FINISH: -		SIZE: A2 CAGE CODE: 00779 DRAWING NO: C-206061 RESTRICTED TO: -	
CUSTOMER DRAWING				SCALE: 2:1	SHEET: 1 OF 1
				REV: F1	