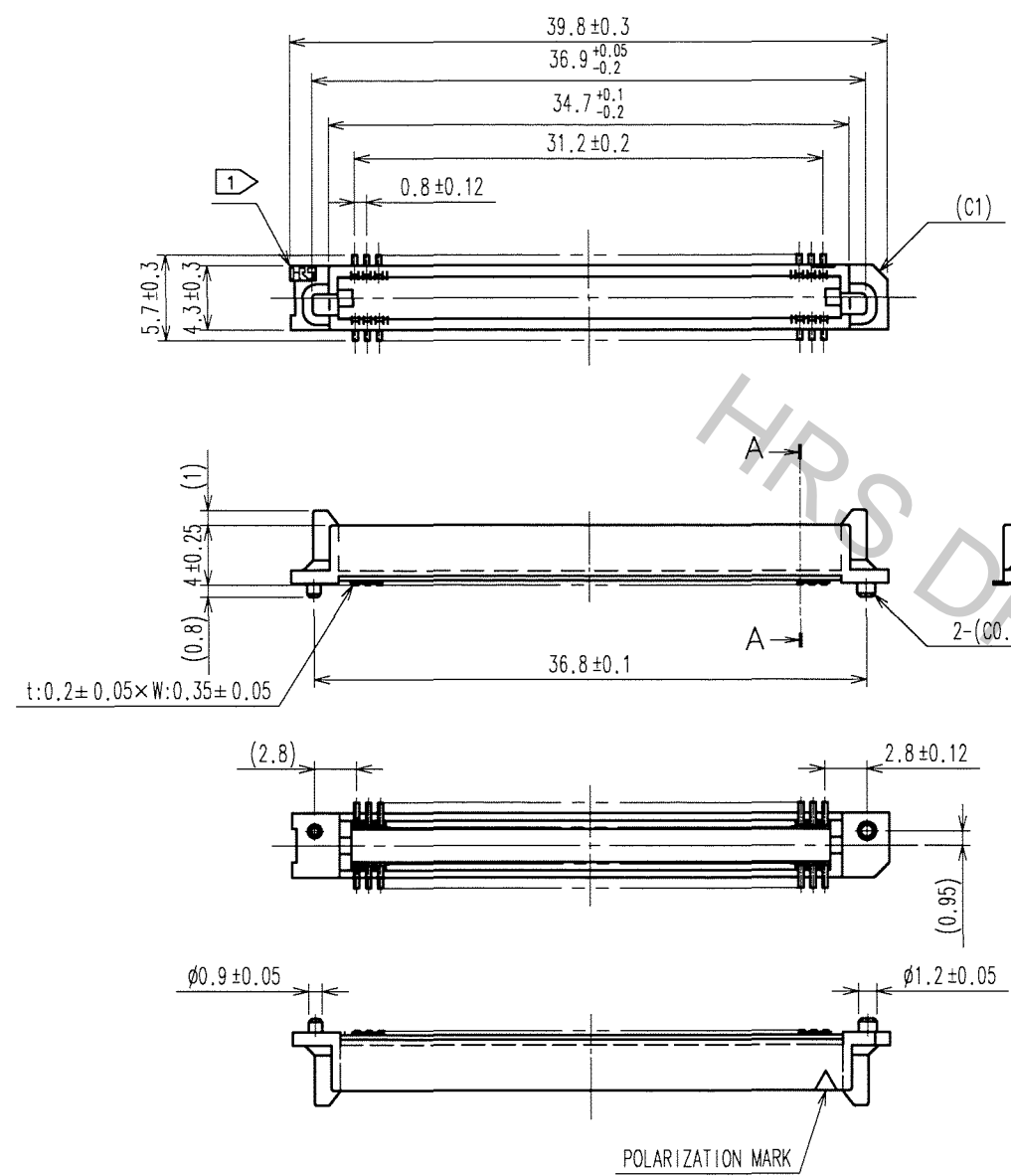
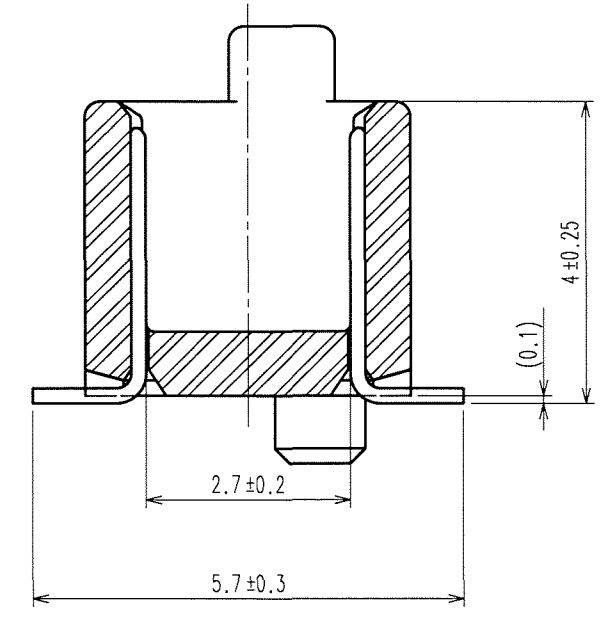


Apr.1.2017 Copyright 2017 HIROSE ELECTRIC CO., LTD. All Rights Reserved.

COUNT	DESCRIPTION OF REVISIONS	BY	CHKD	DATE	COUNT	DESCRIPTION OF REVISIONS	BY	CHKD	DATE
△				..	△				..
△				..	△				..
△				..	△				..

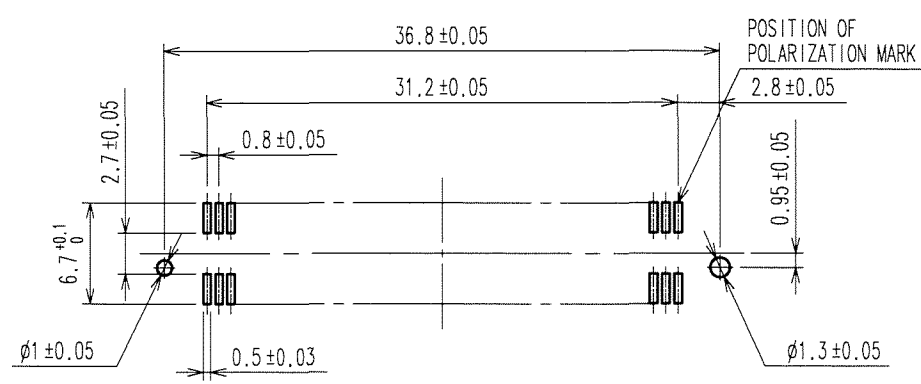


A-A (10:1)



- NOTE ① HRS MARK SHALL BE OPTIONAL.
 ② LEAD CO-PLANARITY SHALL BE 0.1mm MAX.
 ③ EMBOSSED CARRIER TAPE PACKAGING SHALL BE APPLIED TO THIS PRODUCT. SEE NEXT PAGE FOR DETAILS.
 ④ THIS PRODUCT HAS TAPE FOR VACUUM PICKUP. SEE NEXT PAGE FOR DETAIL OF STICKING POSITION, ETC.
 ⑤ FOR MODIFICATION, ETC, PREVENTIVE HOLE FOR SINK MARK MAY BE ADDED ACCORDING TO CIRCUMSTANCES.
 ⑥ THE DIMENSIONS IN PARENTHESES ARE FOR REFERENCE.

RECOMMENDED LAND PATTERN DIMENSION OF PCB (MOUNTING SIDE)



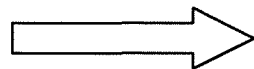
1	PPS	LIGHT BROWN (UL94V-0)	2	PHOSPHOR BRONZE	CONTACT AREA:GOLD 0.1μm min. LEAD AREA:GOLD FLASH UNDER PLATING:NICKEL 1μm min.
NO.	MATERIAL	FINISH, REMARKS	NO.	MATERIAL	FINISH, REMARKS
CODE NO. (OLD)		DRAWN	DESIGNED	CHECKED	APPROVED
		T.YANAGISAWA	T.YANAGISAWA	X. Ogawa	H. Okawa
		06.04.20	06.04.20	'06.04.21	'06.04.24
DRAWING NO. EDC3-084971-23		PART NO. FX6-80P-0.8SV(93)			
SCALE 2 : 1		UNITS mm		CODE NO. CL576-0007-0-93	
HRS HIROSE ELECTRIC CO., LTD		1/2			

TO

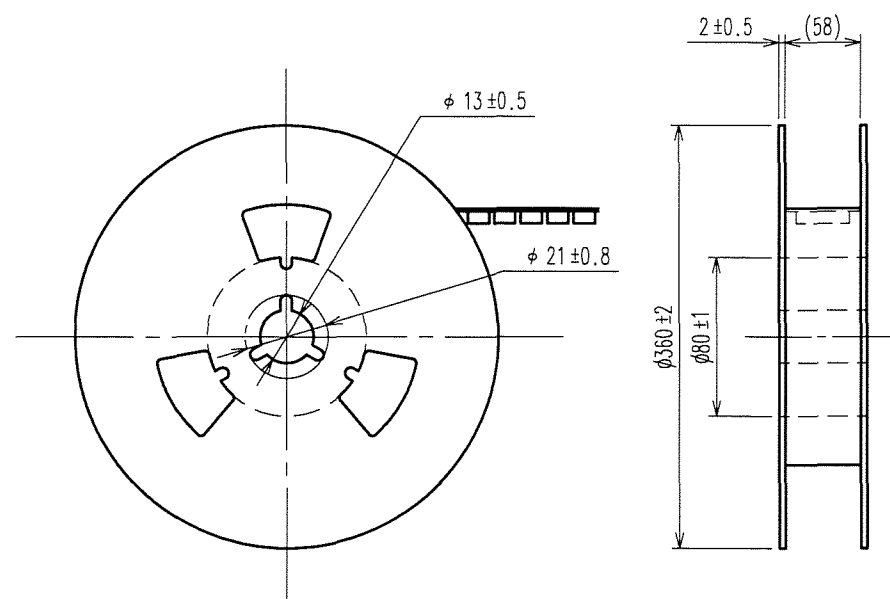
Apr.1.2017 Copyright 2017 HIROSE ELECTRIC CO., LTD. All Rights Reserved.

COUNT	DESCRIPTION OF REVISIONS	BY	CHKD	DATE	COUNT	DESCRIPTION OF REVISIONS	BY	CHKD	DATE

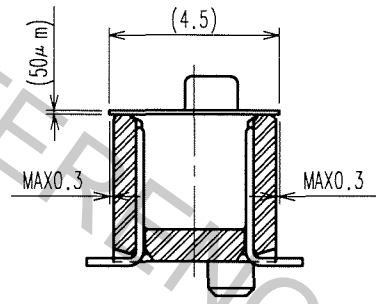
DIRECTION OF UNREELING



STYLE AND DIMENSIONS OF REEL (FREE)



DETAIL OF TAPE FOR VACUUM PICKUP(5:1)

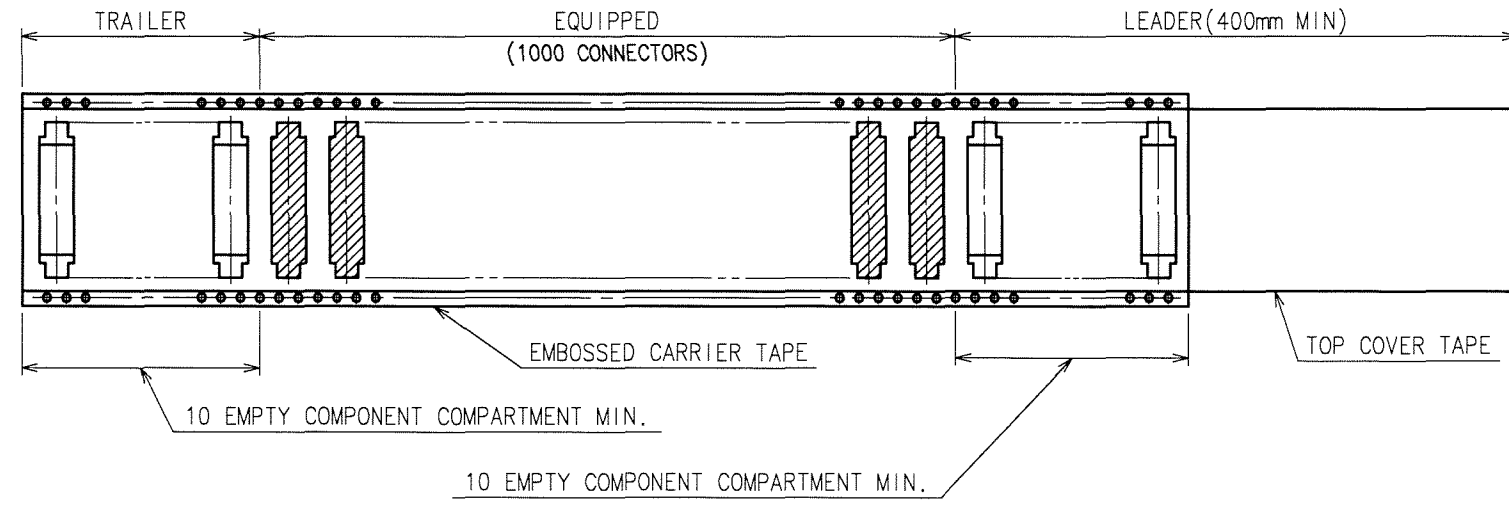
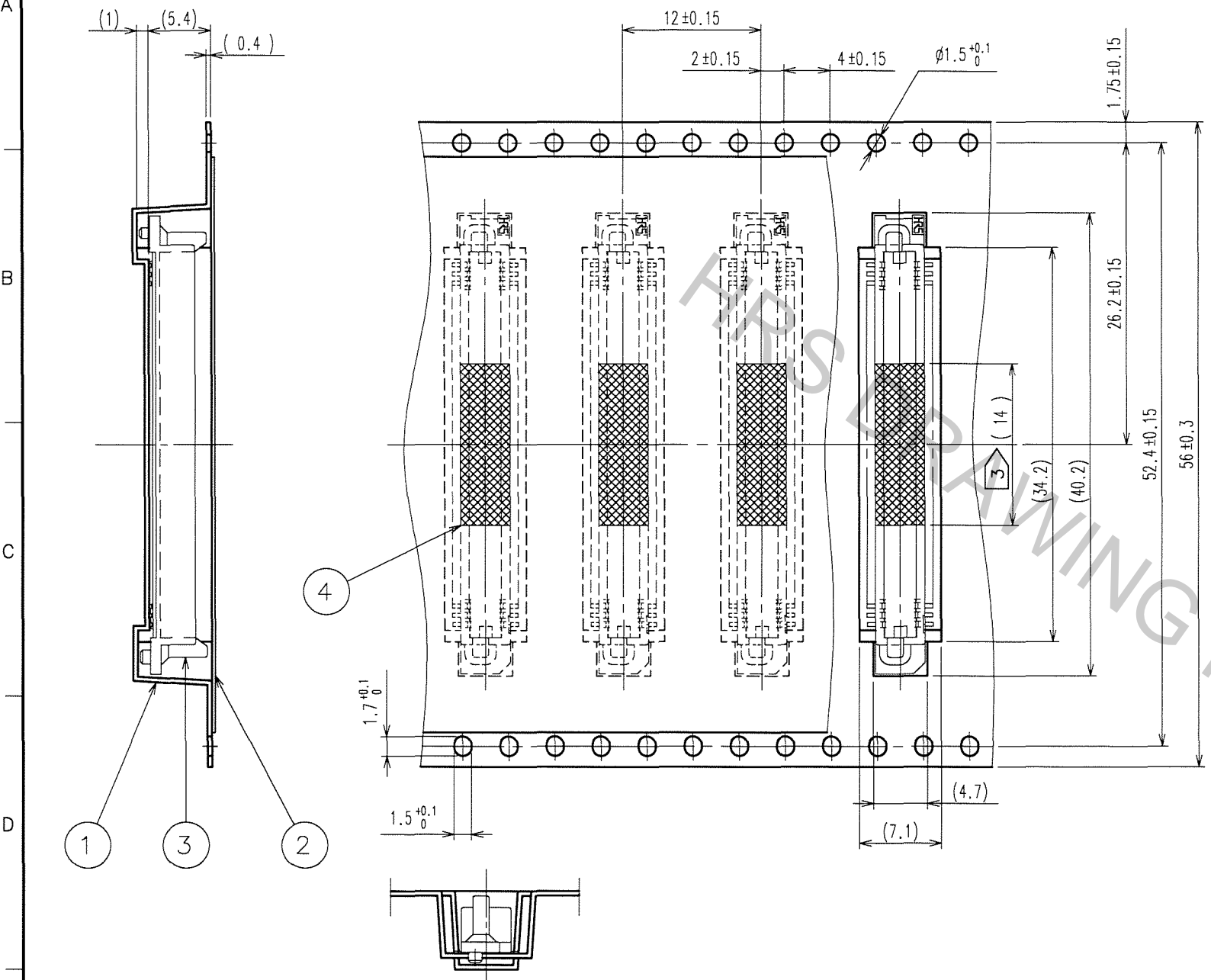


- NOTE 1 1 REEL : 1000 CONNECTORS.
- 2 THE DIMENSIONS IN PARENTHESES ARE FOR REFERENCE.
- 3 REMOVE THE VACUUM PICKUP TAPE AFTER MOUNTING THE CONNECTOR.

2	POLYESTER	(TOP COVER TAPE)	4	POLYIMIDE	(TAPE FOR VUCUUM PICKUP)
1	POLYSTYRENE	(EMBOSSD CARRIER TAPE)	3		(CONNECTOR)
NO.	MATERIAL	FINISH, REMARKS	NO.	MATERIAL	FINISH, REMARKS

CODE NO. (OLD)	DRAWN	DESIGNED	CHECKED	APPROVED	RELEASED
	T.YANAGISAWA	T.YANAGISAWA	C. Ogawa	H. Okawa	
	06.04.20	06.04.20	'06.04.21	06.04.24	

SCALE 2 : 1	DRAWING NO. EDC3-084971-23	PART NO. FX6-80P-0.8SV(93)
UNITS mm	HRS HIROSE ELECTRIC CO., LTD	CODE NO. CL576-0007-0-93



TO