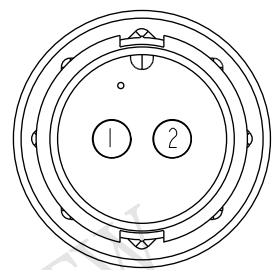
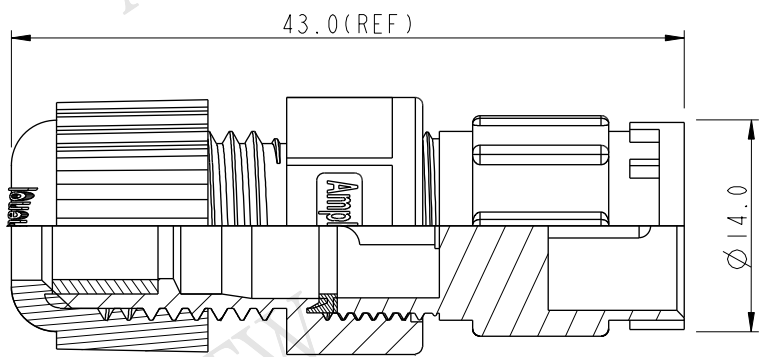
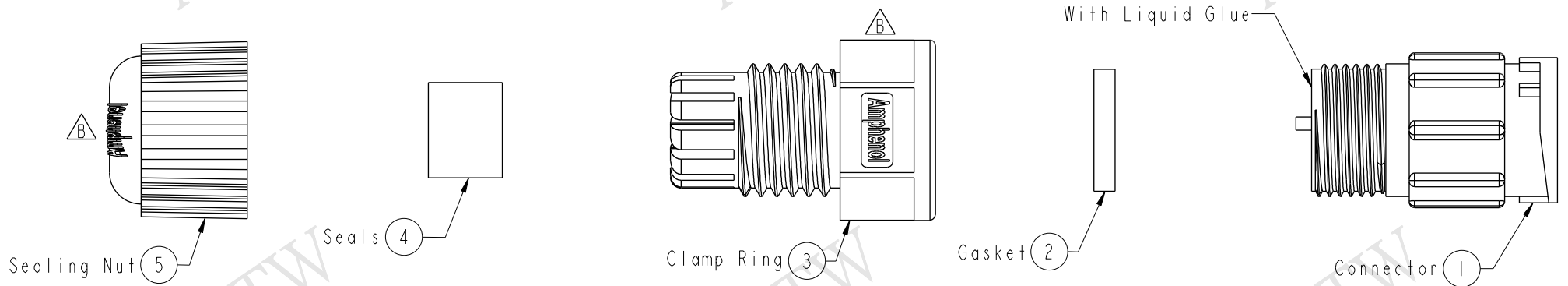
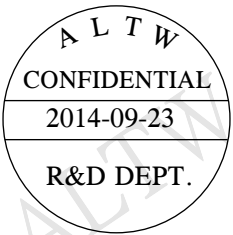


REV.	ECN NO.	DATE	SIGN	DESCRIPTION
B	LEN1490189	2014/08/14	Rita	Change Logo LTW To Amphenol



Pin Assignments  
Front View 前視圖

- Note:
- \* (QC) Important Dimension To Check.
  - \* Waterproof Rate: IP67
  - \* Housing: Nylon+GF, Black
  - \* Male Pin: Copper Alloy, Gold Plated
  - \* Gasket: EPDM, Black
  - \* Seals: EPDM, Black
  - \* Clamp Ring: Nylon, Black
  - \* Sealing Nut: Nylon, Black
  - \* Liquid Glue: Clear
  - \* Seals for Cable OD:  $\varnothing 4.5\text{mm} \sim \varnothing 6.5\text{mm}$
  - \* One Set Unassembled In One PE Bag

UNIT: mm		TITLE Standard, Assy Lock 2Pin M Conn M Pin			ITEM NO. BB-02BMMA-LL7001		DRAWN BY Rita		DATE 2014-08-14	
		TOLERANCE .X ±0.25 .XX ±0.1 .XXX ±0.05 ANGLES ±1°		SCALE 1:1	SIZE A4	SHEET 1	OF 1	DWG NO. BB-02BMMA-LL7001		CHECKED BY Vicky
REV. B		WC-REV. A.1	(QC): Inspection item		CUSTOMER ALTW		APPROVED BY Wenmao		DATE 2014-08-14	

**Amphenol LTW**  
安費諾亮泰企業股份有限公司

THIS DOCUMENT IS SUBJECT TO CHANGE WITHOUT NOTICE. IT IS CONFIDENTIAL AND A PROPERTY OF Amphenol LTW. DISCLOSURE TO THIRD PARTY HAS TO BE AUTHORIZED BY Amphenol LTW.