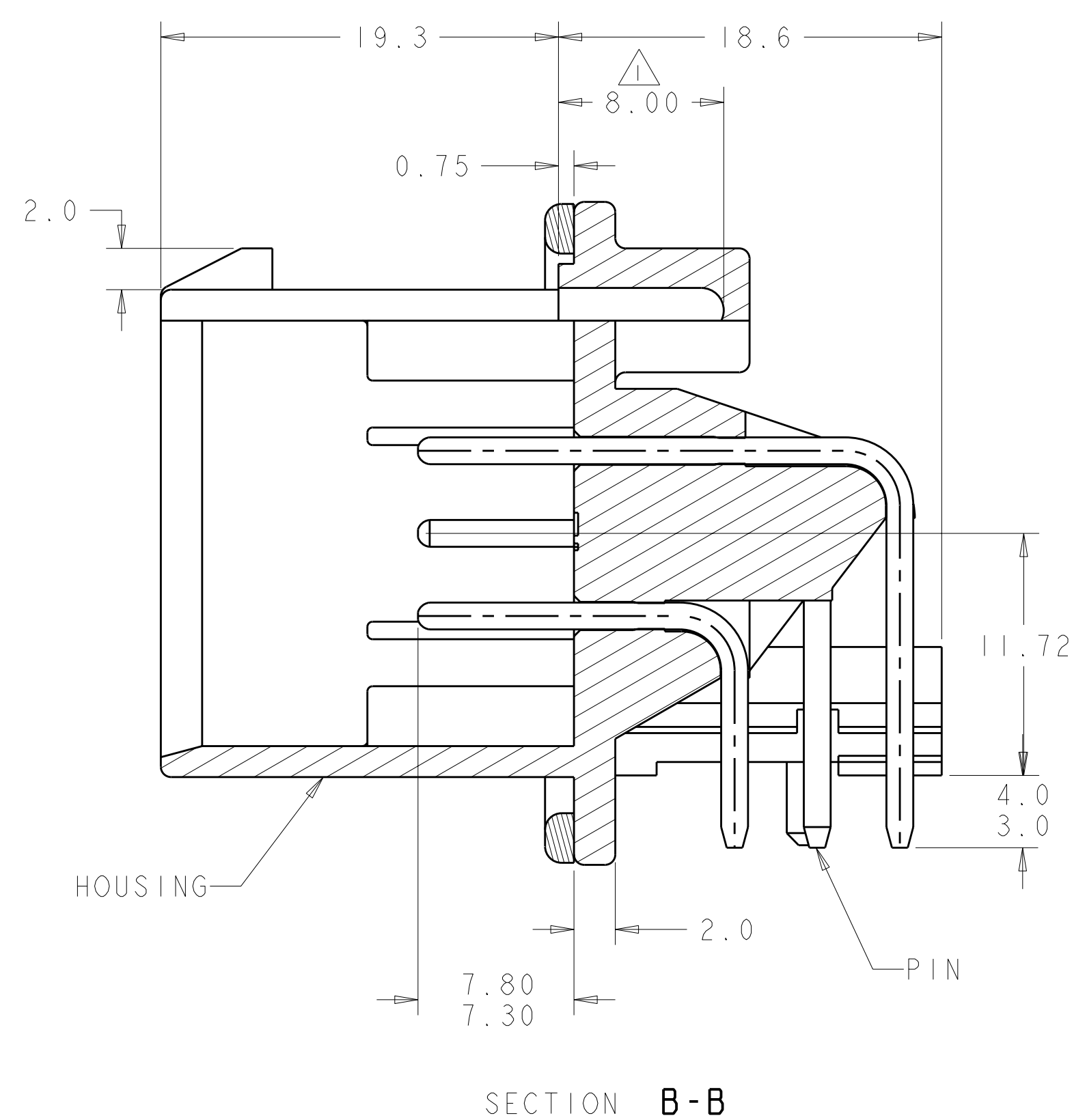
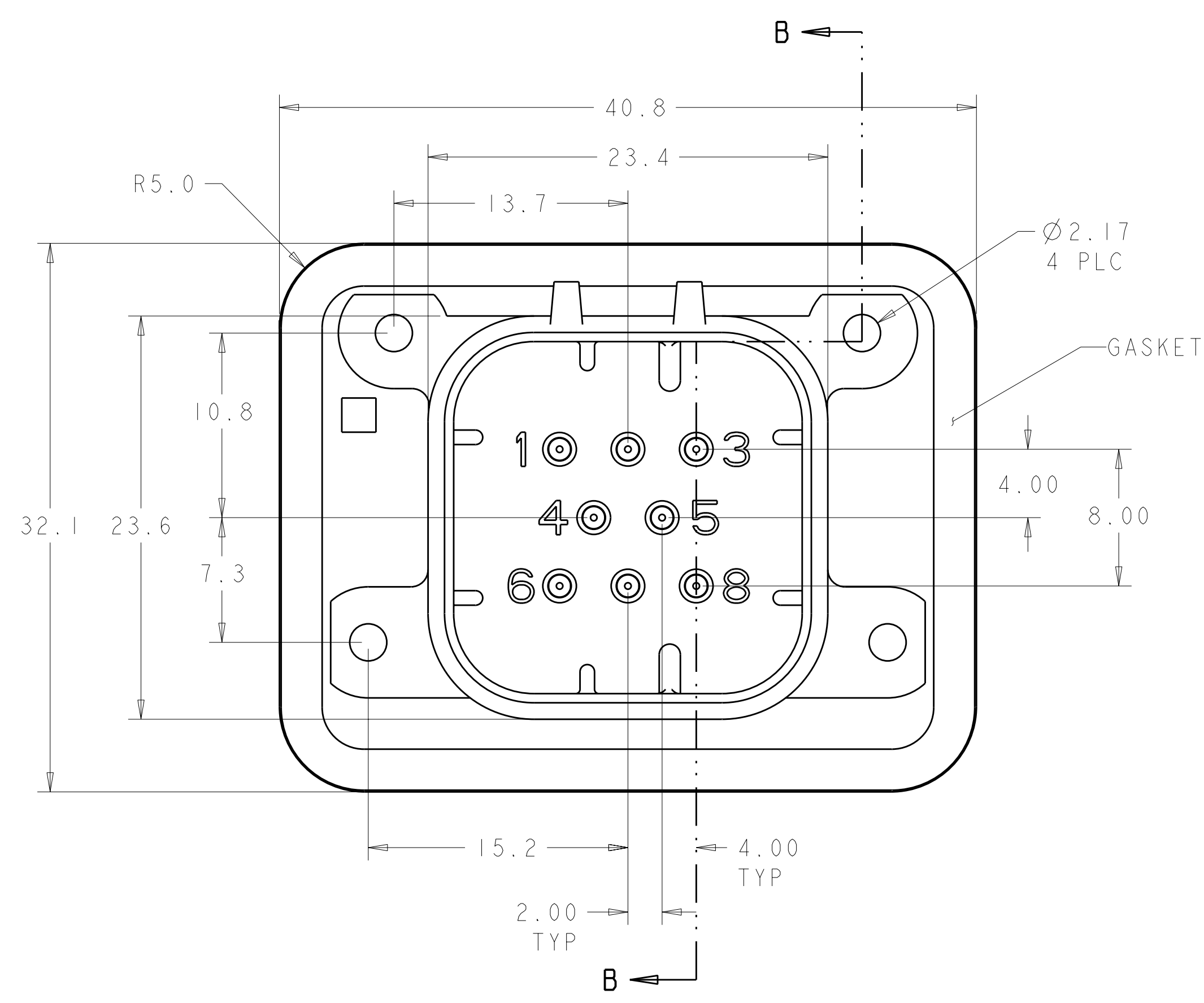
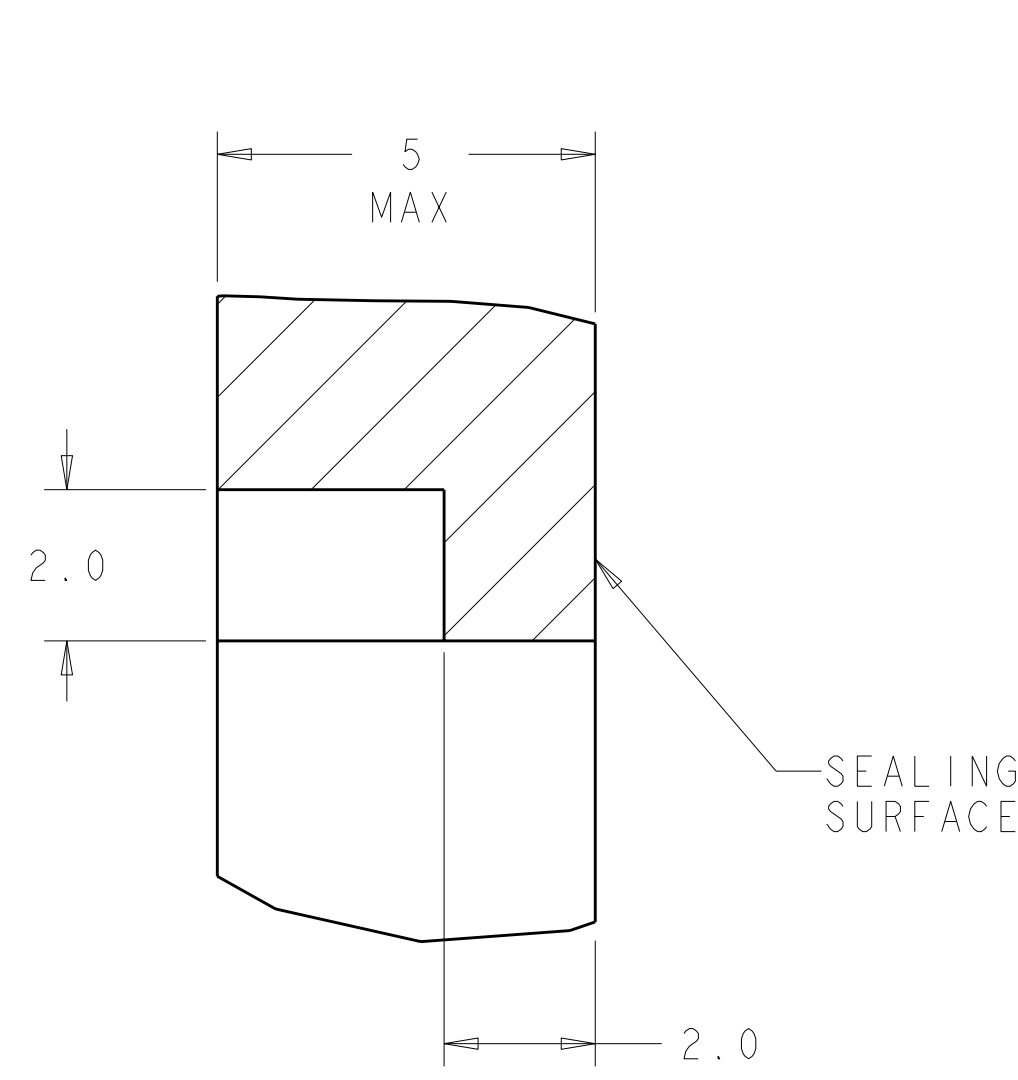
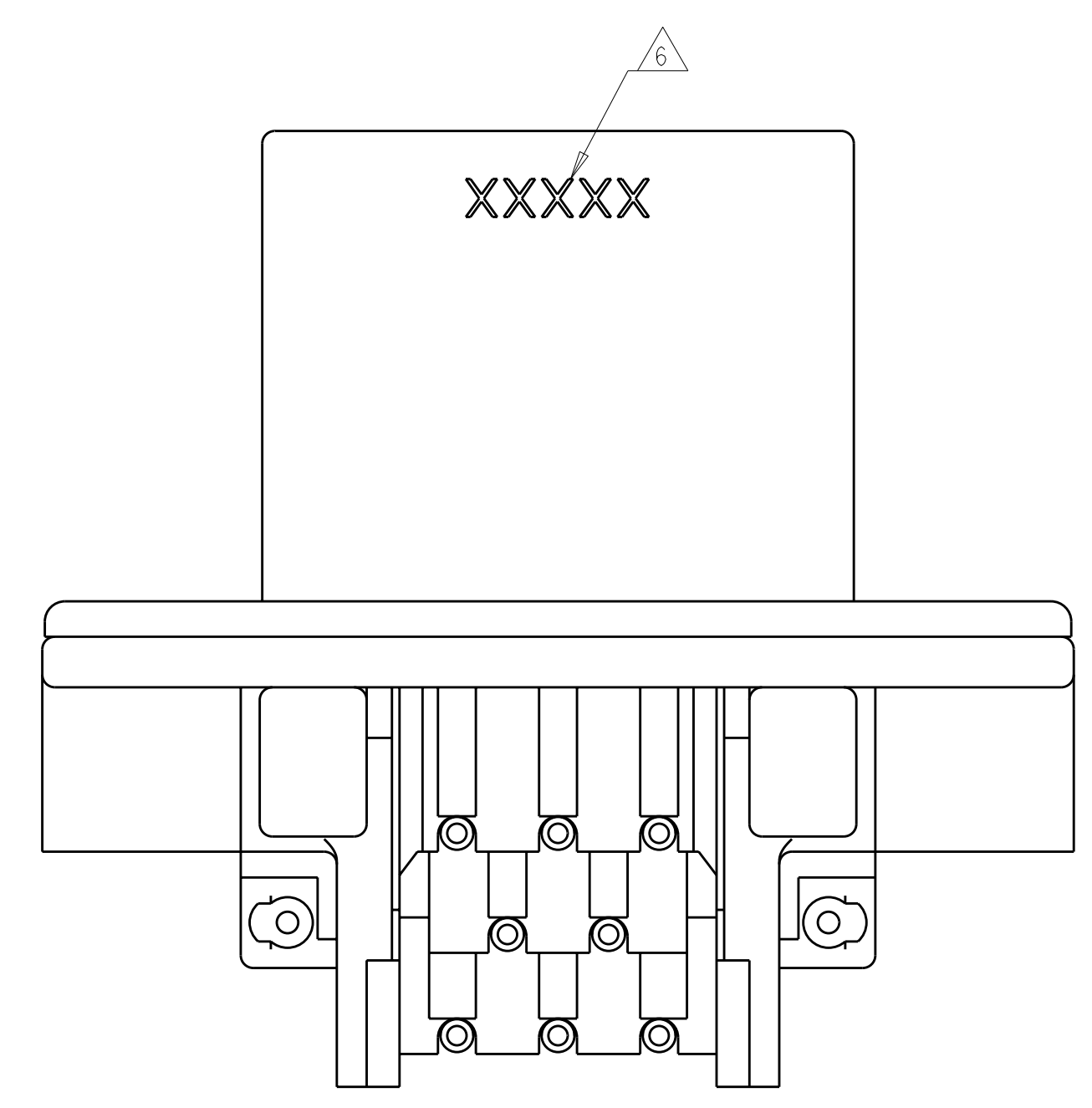


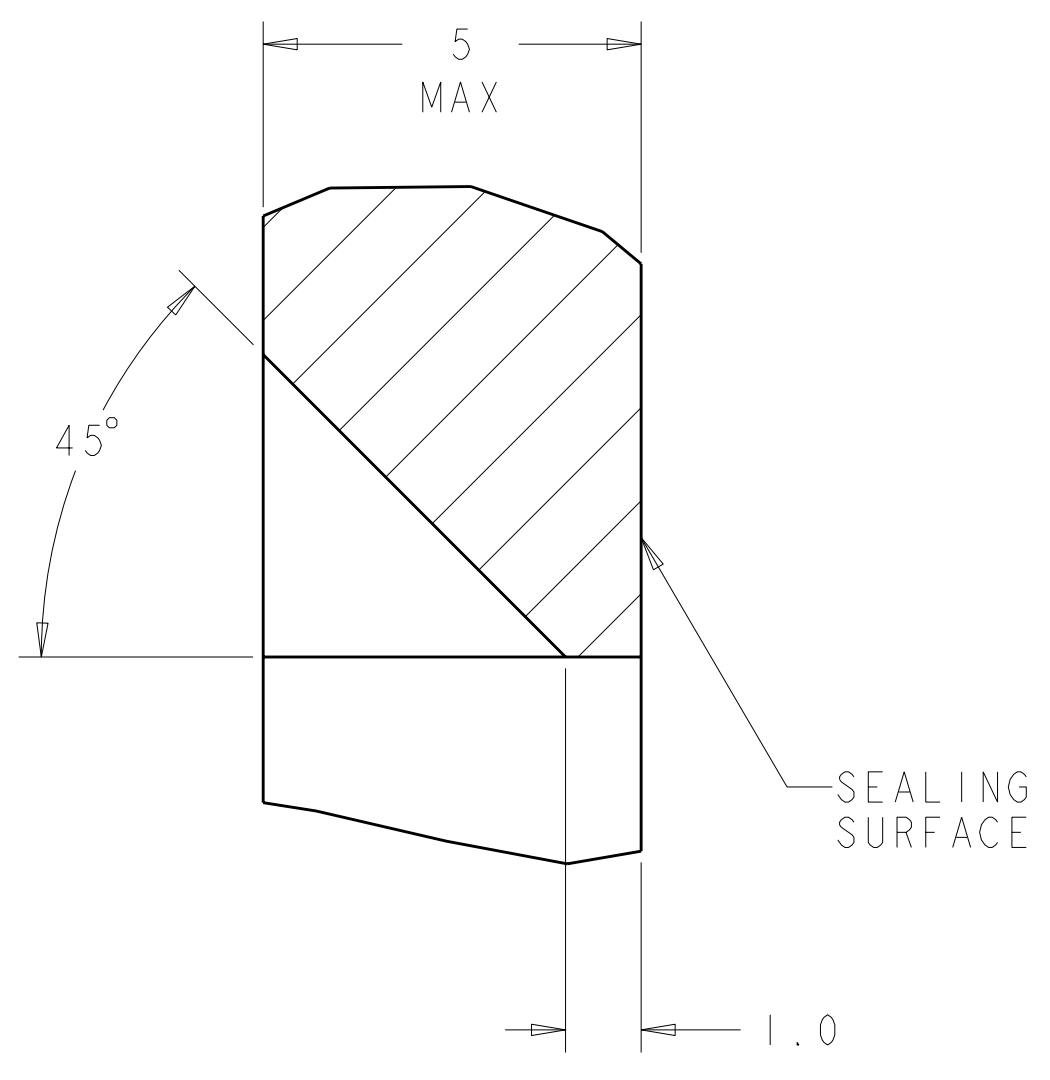
LOC	DIST	REV	DATE	BY	CHK	APPV
GE	00					
		F3	12MAR2011	RK	HMR	
		F4	29MAY2012	DD	DS	



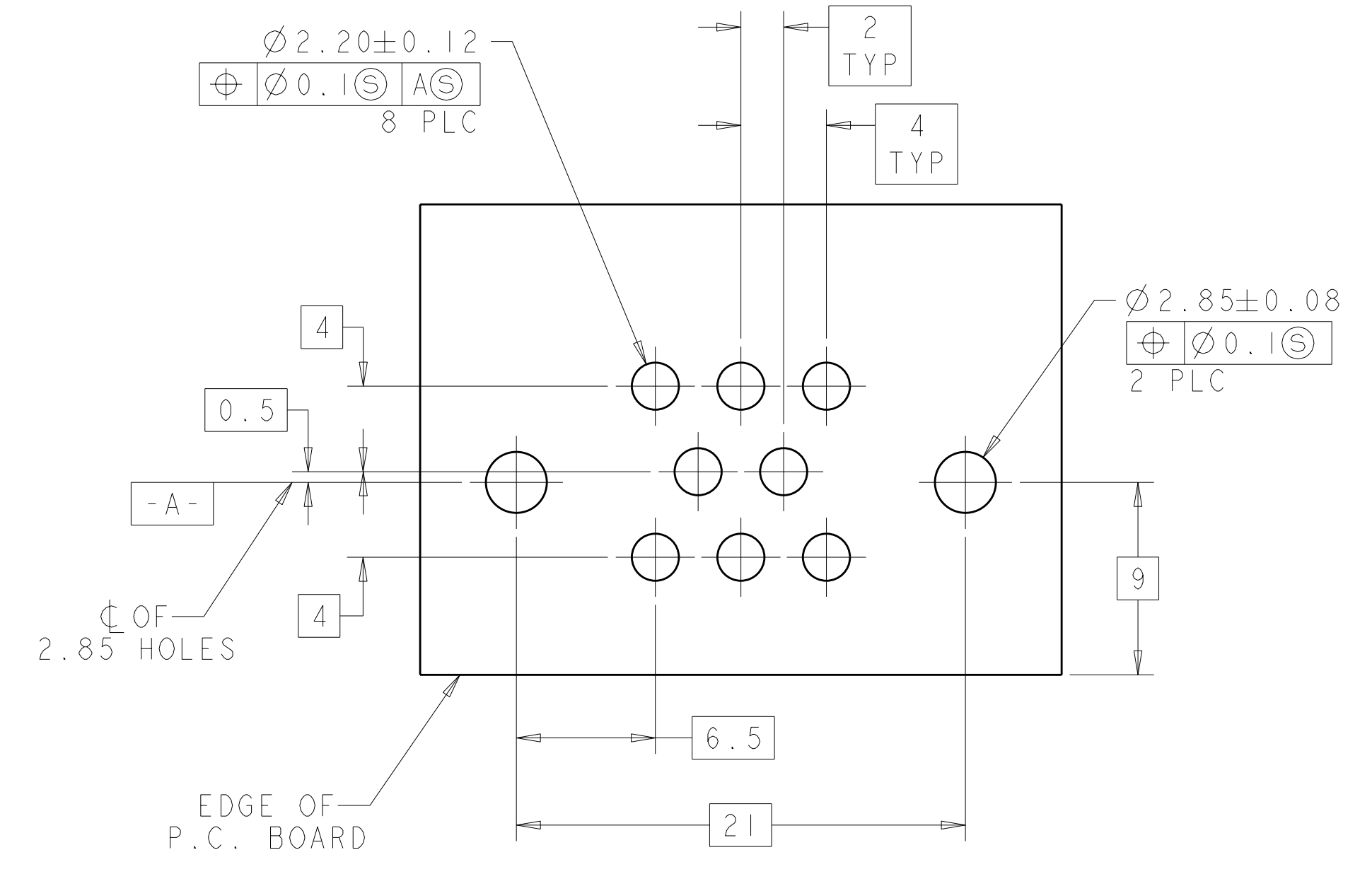
- △ ACCEPTS #4 SELF TAPPING THREAD FORMING SCREWS OR METRIC EQUIVALENT. DRIVE TO 0.6±0.2 N-m MAX.
- △ HOUSING COLORS ARE MECHANICALLY KEYPED TO MATE ONLY WITH IDENTICALLY COLORED PLUG ASSEMBLIES.
- △ REFER TO PAGE 2 FOR 776280-6 ASSEMBLY DIMENSIONS, RECOMMENDED MOUNTING HOLE AND P.C. BOARD LAYOUT ARE THE SAME FOR ALL DASH NUMBERS.
- 4. HEADER MATES TO PLUG ASSEMBLY 776286 WHICH USES REELED TERMINALS 770520 AND LOOSE PIECE TERMINALS 770854.
- △ MATERIALS: GASKET - SILICONE
HEADER HOUSING - GLASS FILLED PBT
PINS - TIN OR GOLD PLATED BRASS
- △ DATE CODE TO BE BRANDED IN THIS LOCATION PER TE SPEC 102-60. USE 5 DIGIT CODE: FIRST 2 DIGITS = YEAR, SECOND 2 DIGITS = WEEK, LAST DIGIT = DAY



SECTION A-A
OPTIONAL CONSTRUCTION IF THICKNESS IS GREATER THEN 2.0
SCALE 10:1



SECTION A-A
OPTIONAL CONSTRUCTION IF THICKNESS IS GREATER THEN 2.0
SCALE 10:1



RECOMMENDED P.C. BOARD LAYOUT FOR 1.57 THICK P.C. BOARD

NATURAL	DURAGOLD PLATED	1-776280-2
BLACK	DURAGOLD PLATED	1-776280-1
BLACK	TIN PLATED	△ 776280-6
NATURAL	TIN PLATED	776280-2
BLACK	TIN PLATED	776280-1
HEADER HOUSING COLOR	PIN	PART NUMBER

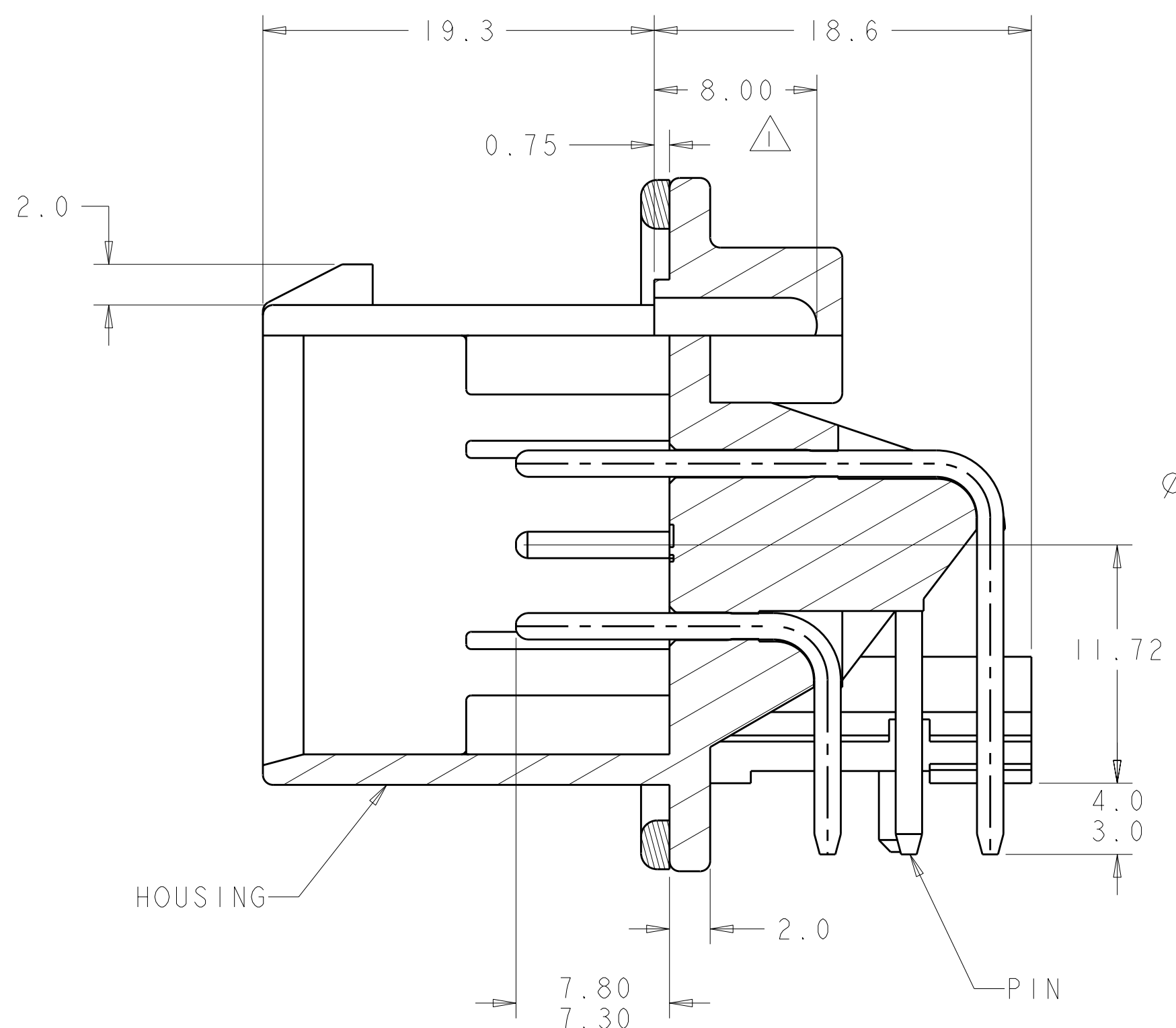
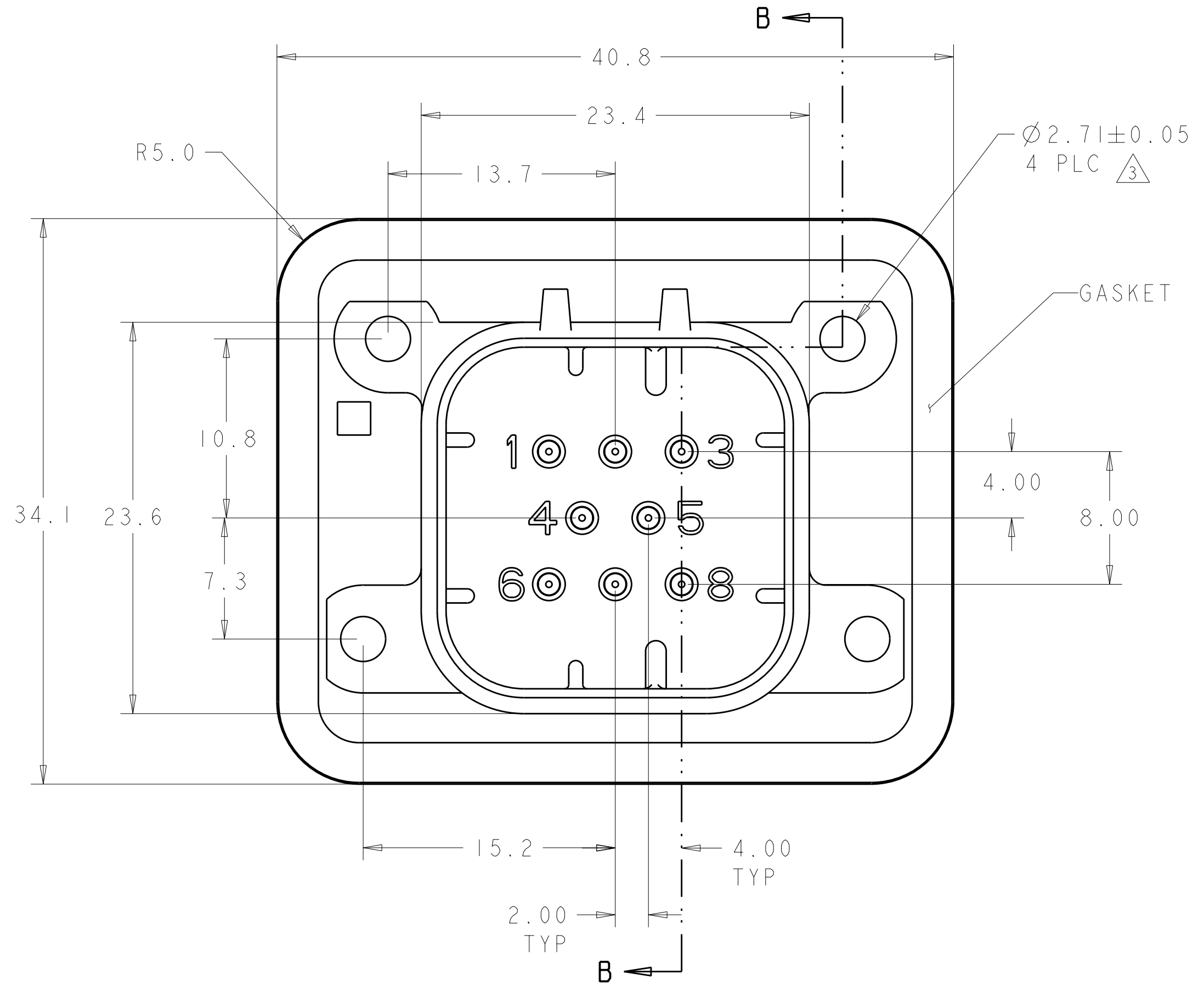
DIMENSIONS:		TOLERANCES UNLESS OTHERWISE SPECIFIED:	
mm	9 PLC	±	
	1 PLC	±0.2	
	5 PLC	±0.13	
	4 PLC	±	
	ANGLES	±	
	FINISH	±	

THIS DRAWING IS A CONTROLLED DOCUMENT.	DWN J. MARKEY 29FEB08	TE Connectivity
	CHK J. MARKEY 29FEB08	
	APPV J. MARKEY 29FEB08	
MATERIAL	5	3
CUSTOMER DRAWING		SCALE 4:1 SHEET 1 OF 2 REV F4

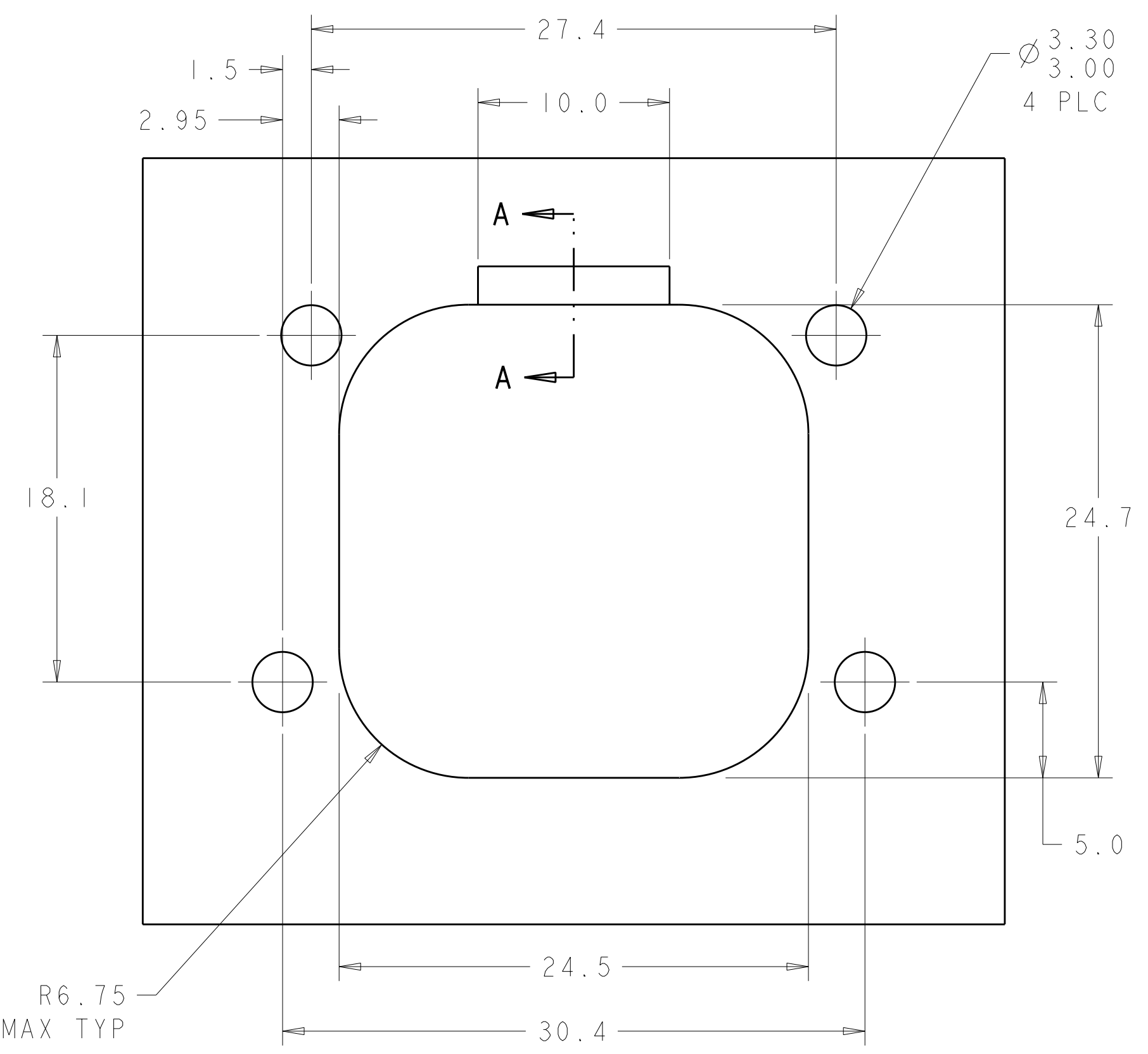
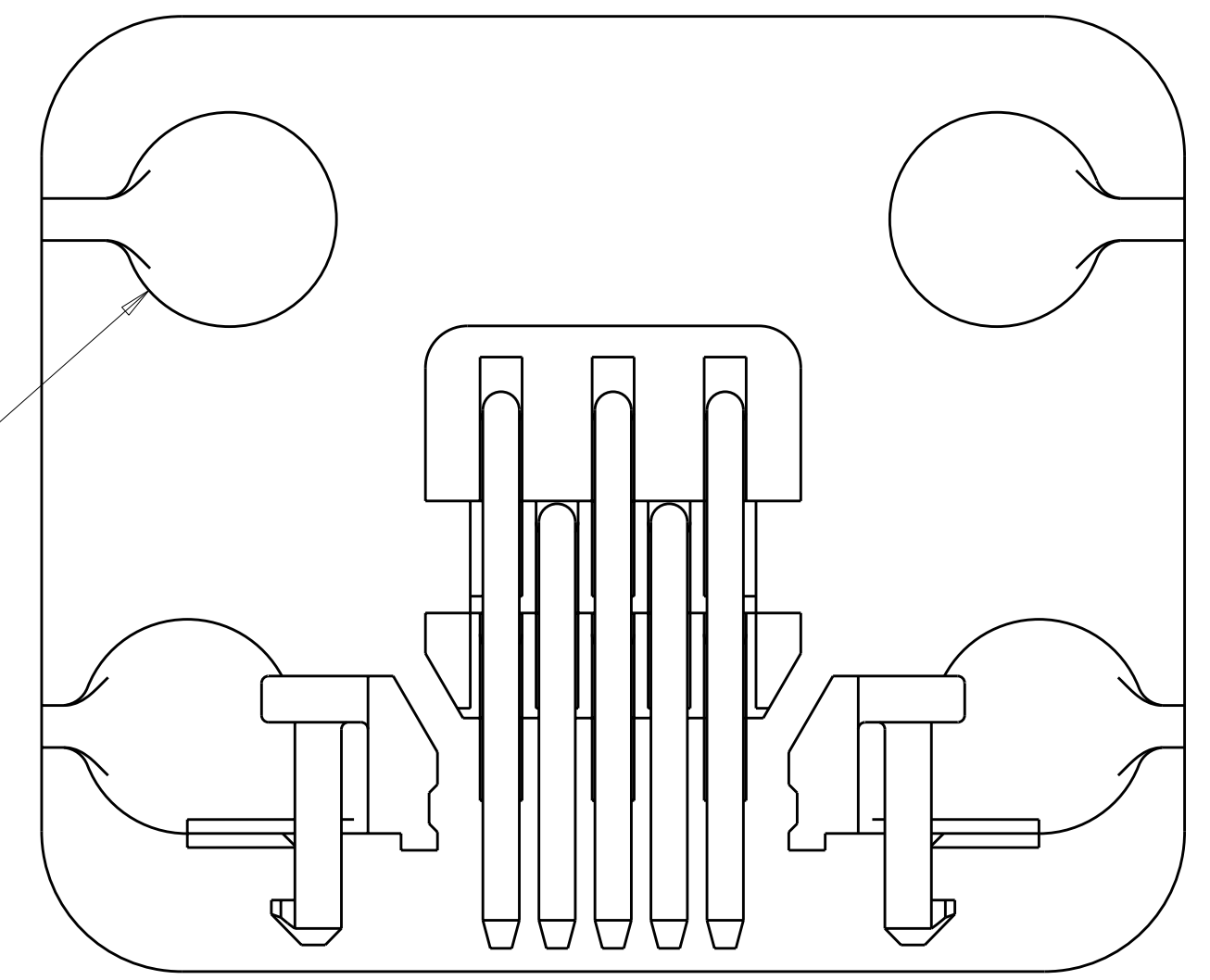
LOC	DIST	REV	DESCRIPTION	DATE	DNW	APVD
GE	00		SEE SHEET 1			

ASSEMBLY DIMENSIONS APPLY TO 776280-6 ONLY

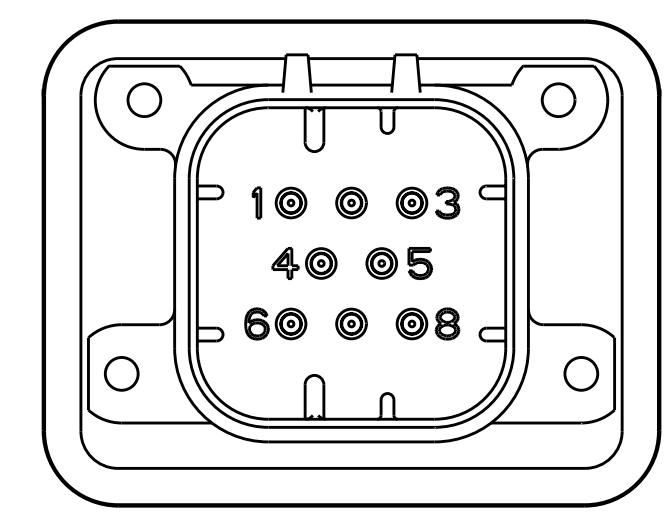
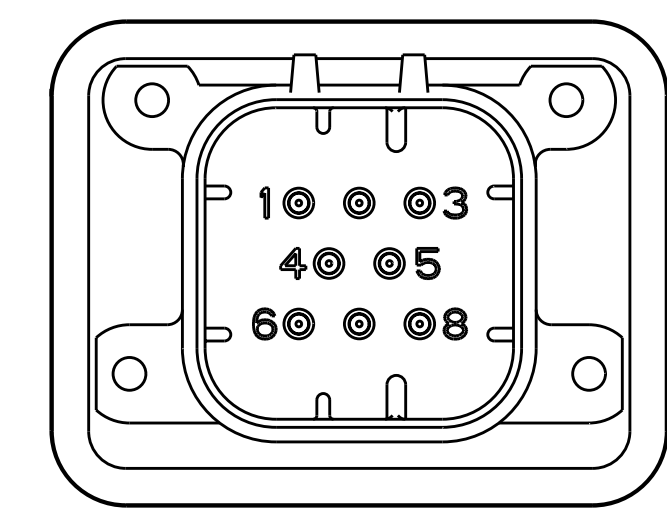
(HOLE LAYOUT AND P.C. BOARD LAYOUT SHOWN ON SHEET 1 APPLY TO ALL DASH NUMBERS)



- 1 ACCEPTS #4-20 THREAD FORMING TWIN HELIX PLASTITE SCREW (SINGLE HELIX OPTIMAL)
- 2 HOUSING COLORS ARE MECHANICALLY KEYED TO MATE ONLY WITH IDENTICALLY COLORED PLUG ASSEMBLIES.
- 3 0° 30' MAX DRAFT FROM TOP OF HOLE (1° INCLUDED ANGLE)



RECOMMENDED MOUNTING HOLE LAYOUT FOR 5.0 MAX THICK PANEL



776280-1, 776280-6 & 1-776280-1 776280-2 & 1-776280-2
 KEY LOCATION KEY LOCATION
 SCALE 2:1 SCALE 2:1

BLACK	TIN PLATED	776280-6
HEADER HOUSING COLOR	PIN	PART NUMBER

THIS DRAWING IS A CONTROLLED DOCUMENT.		DNW J. MARKEY 29FEB08	TE Connectivity
DIMENSIONS: mm		CHK J. MARKEY 29FEB08	
TOLERANCES UNLESS OTHERWISE SPECIFIED:		APVD J. MARKEY 29FEB08	
0 PLC ± 1 PLC ±0.2 2 PLC ±0.13 3 PLC ± 4 PLC ± ANGLES ±4°		NAME	
MATERIAL	FINISH	WEIGHT	PRODUCT SPEC APPLICATION SPEC SIZE CAGE CODE DRAWING NO A100779C-776280
CUSTOMER DRAWING		SCALE 4:1	SHEET 2 OF 2 REV F4