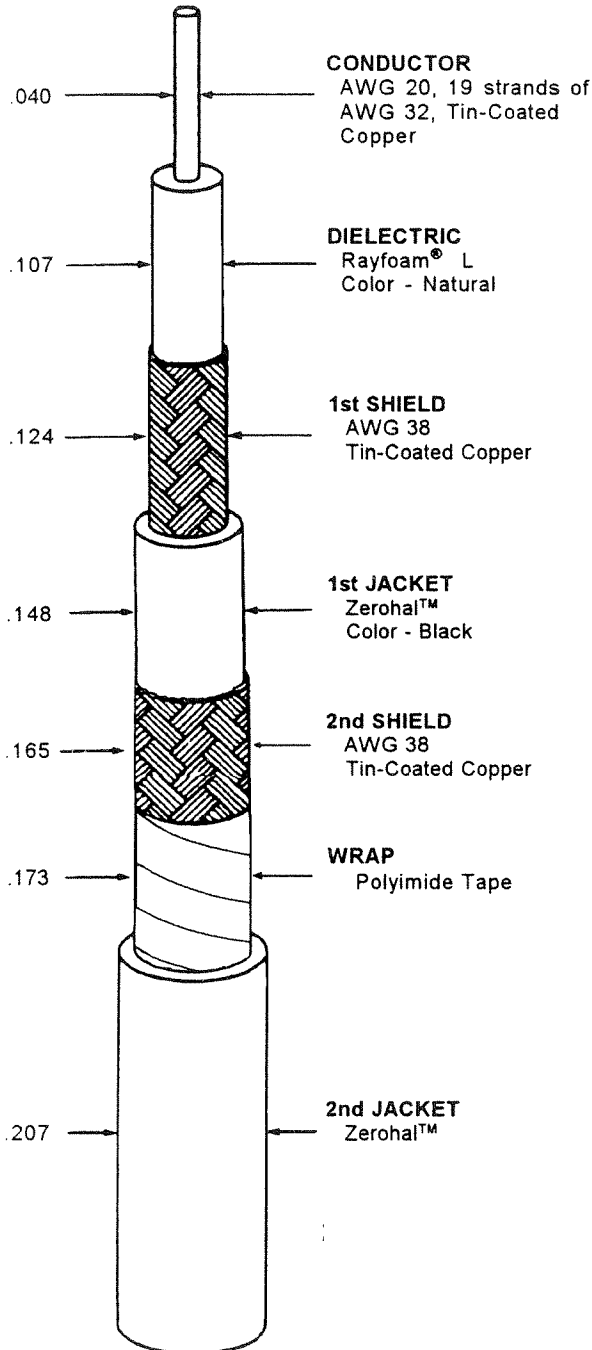


THIS SPECIFICATION SHEET FORMS A PART OF THE LATEST ISSUE OF RAYCHEM SPECIFICATION 1200.

CONSTRUCTION DETAILS

DIMENSIONS ARE NOMINAL VALUES IN INCHES UNLESS OTHERWISE DESIGNATED.



ELECTRICAL CHARACTERISTICS

CHARACTERISTIC IMPEDANCE	50 ± 2 ohms, Method A
CAPACITANCE	26.4 pF/ft. (nominal)
VELOCITY OF PROPAGATION	77% (nominal)

ADDITIONAL REQUIREMENTS

ELECTRICAL

CONDUCTOR RESISTANCE	9.53 ohms/1000 ft. (nominal)
INSULATION RESISTANCE (CONDUCTOR TO SHIELD)	10,000 megohms (minimum) for 1000 ft.
JACKET FLAWS	
SPARK TEST	1.0 kV (rms), 60 Hz
IMPULSE TEST	6.0 kV (peak)
VOLTAGE WITHSTAND (DIELECTRIC)	
CONDUCTOR TO SHIELD	1000 volts (rms) (minimum)
SHIELD TO SHIELD	500 volts (rms) (minimum)

ENVIRONMENTAL

FLAMMABILITY	UL Subject 758, VW-1 60 seconds (maximum); no flaming of cotton, 25% of slag char (maximum)
HEAT SHOCK	225° C
LOW TEMPERATURE- COLD BEND	-30° C/5.50 inch mandrel
VOLTAGE WITHSTAND (POST ENVIRONMENTAL)	1000 volts (rms), 1 minute

PHYSICAL

INSULATION (DIELECTRIC)	
ELONGATION	50% (minimum)
TENSILE STRENGTH	800 lbf/in ² (minimum)
JACKET (EACH)	
ELONGATION	150% (minimum)
TENSILE STRENGTH	1200 lbf/in ² (minimum)
JACKET THICKNESS	
FIRST JACKET	.012 inch (nominal)
SECOND JACKET	.017 inch (nominal)
SHIELD COVERAGE (EACH)	90% (minimum)
WRAP	.002 inch thick (nominal) 50% (nominal) overlap

WEIGHT 32.4 lbs/1000 ft. (nominal)

Outer jacket color will be black (designated by a "-0" appended to the part number, e.g., 5020A5811-0) unless otherwise specified.

Designate outer jacket color with a dash number in accordance with MIL-STD-681.