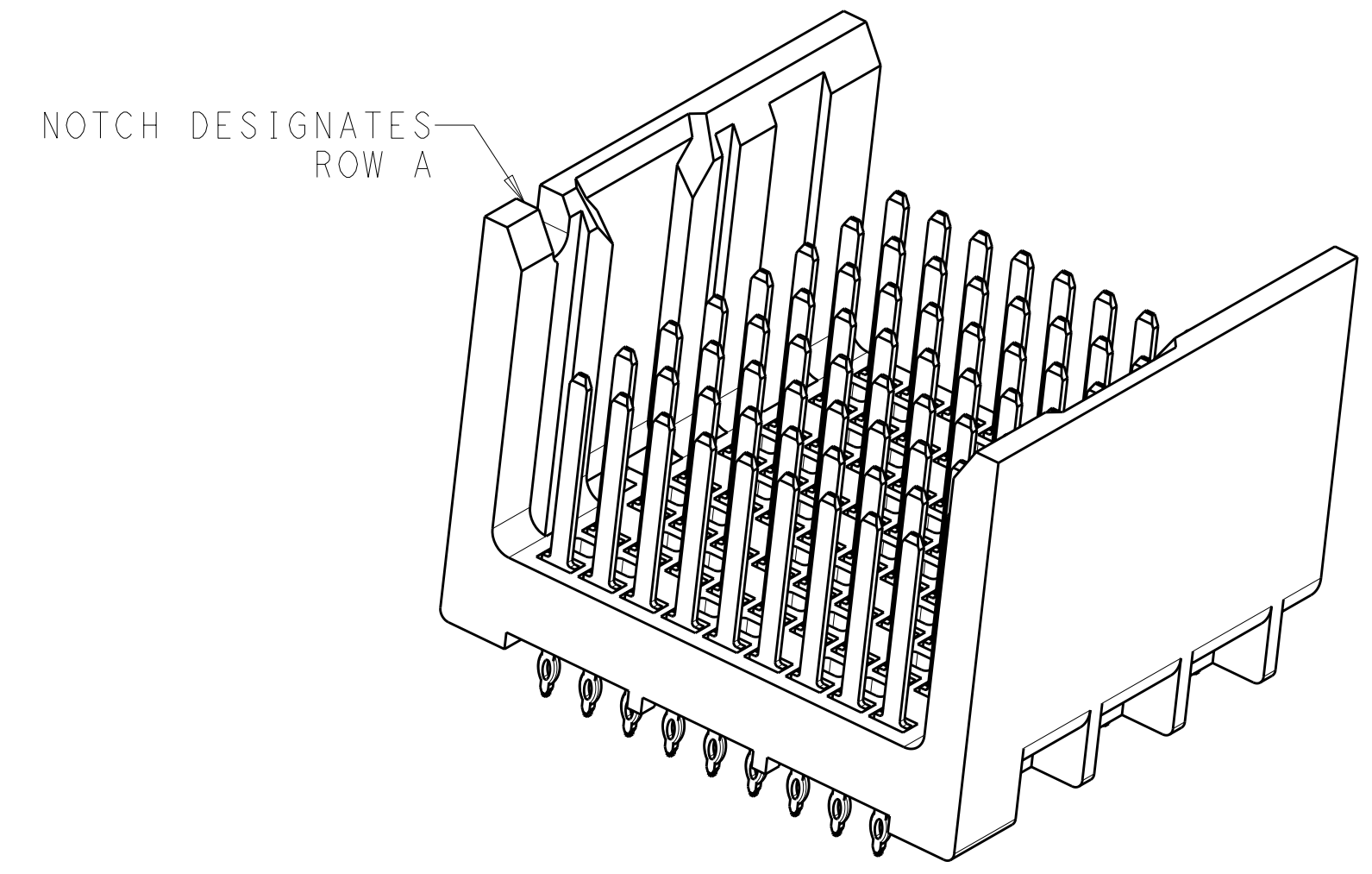
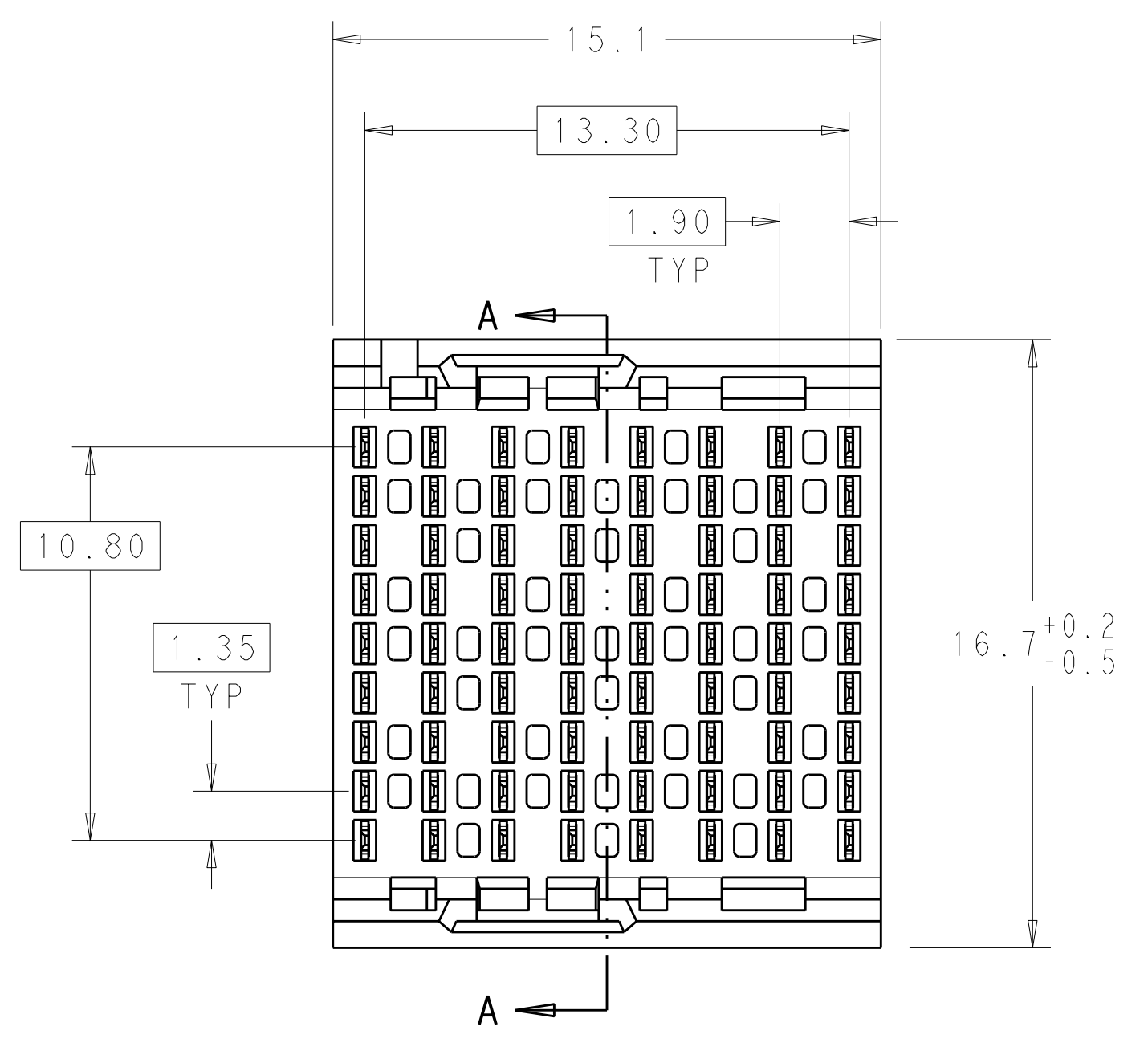
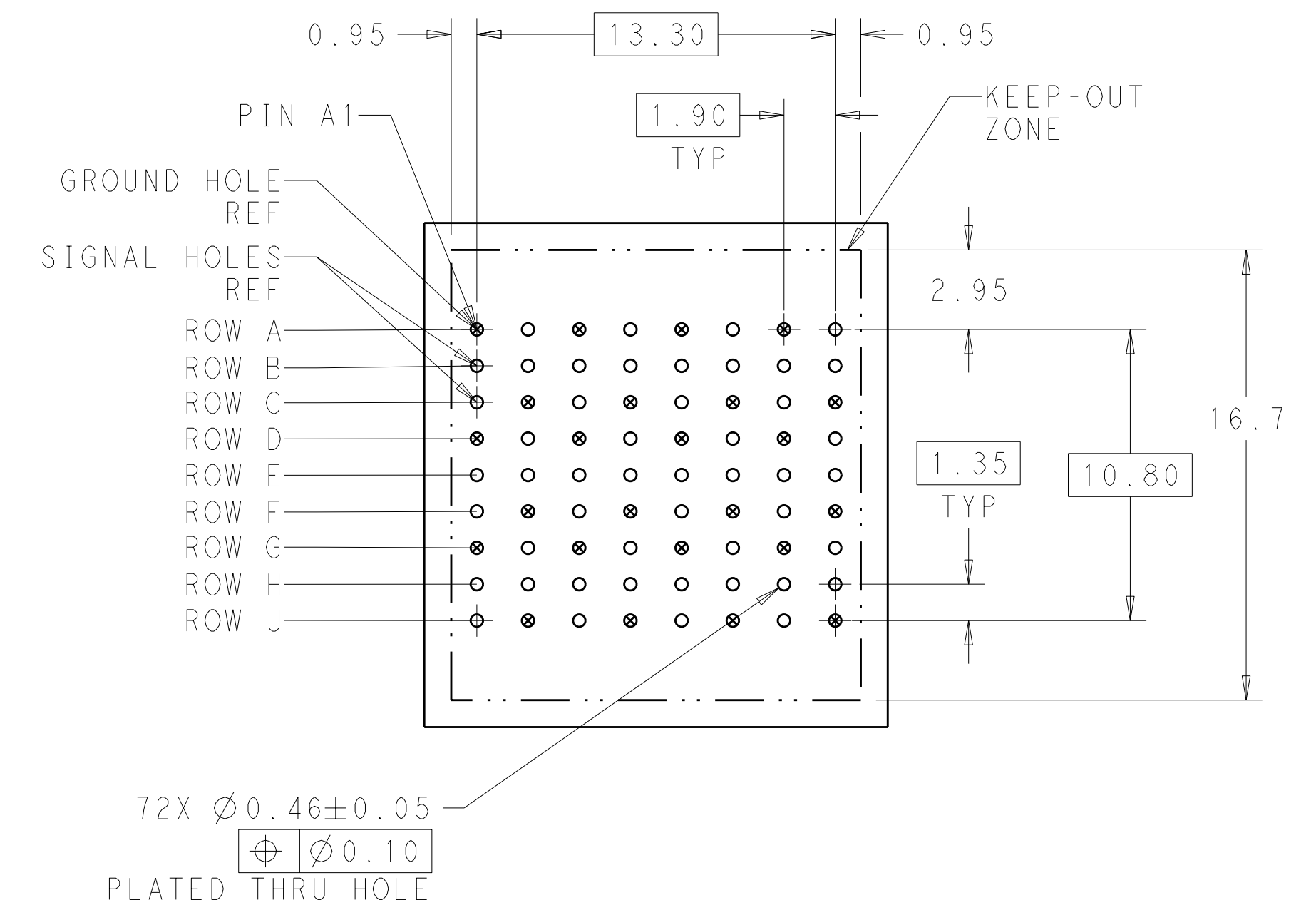


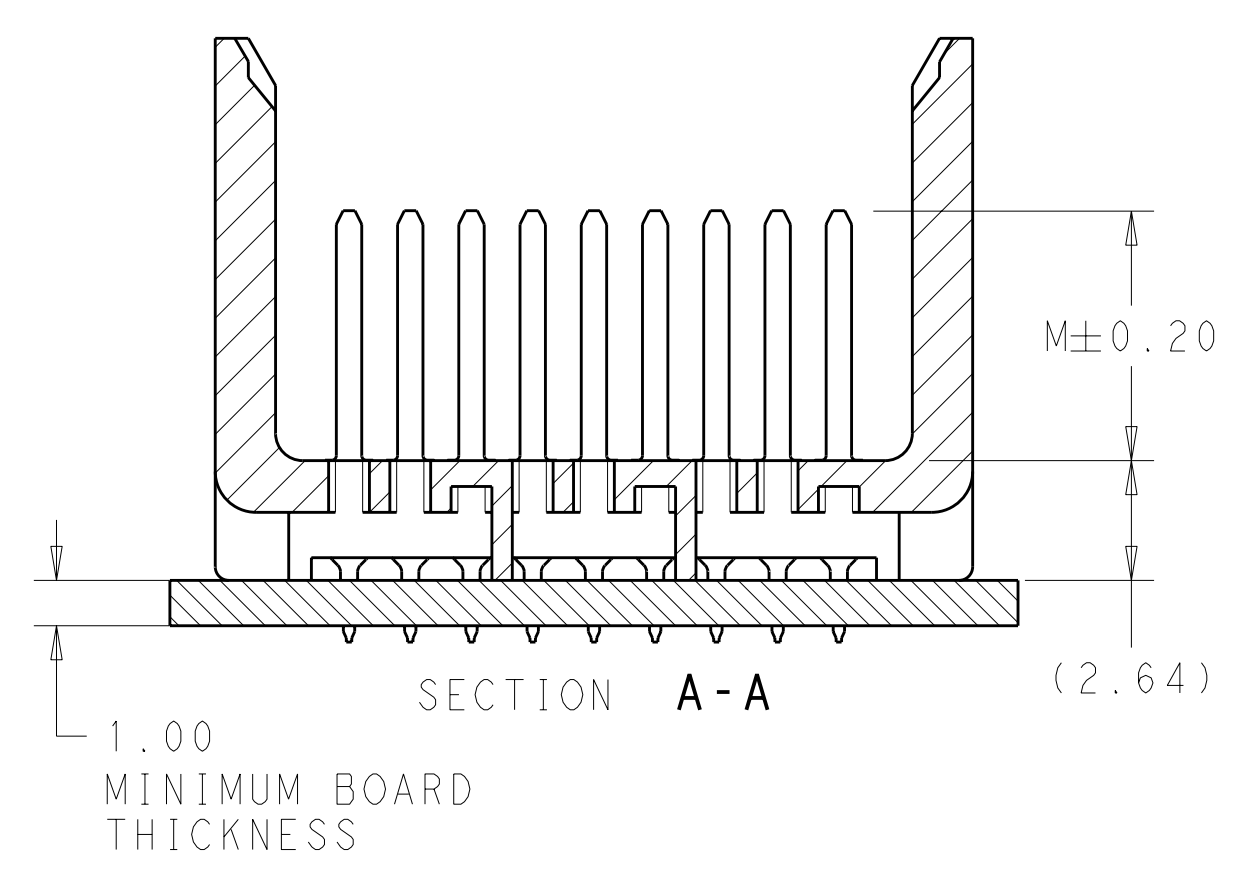
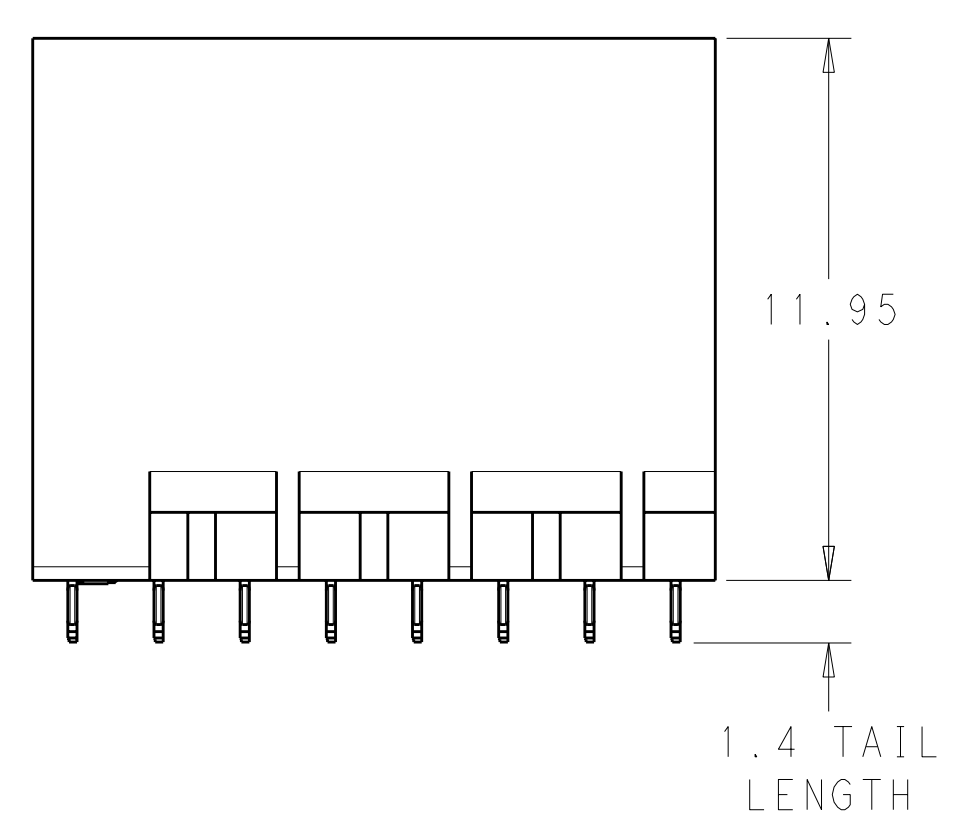
LOC	DIST	REV	DATE	BY	APPD
AD	00	C	05JAN12	KH	DY



- 1 MATERIAL:
HOUSING: LCP, GLASS FILLED, UL94V-0.
TERMINALS: HIGH PERFORMANCE COPPER ALLOY.
- 2 FINISH:
30μ" MIN GOLD IN CONTACT AREA. SELECTIVE TIN
ON PCB TAILS, NICKEL OVERALL.
- 3 FINISH:
30μ" MIN GOLD IN CONTACT AREA. SELECTIVE TIN-LEAD
ON PCB TAILS, NICKEL OVERALL.



UNGUIDED
BACKPLANE HOLE PATTERN
(CONNECTOR SIDE)




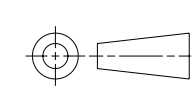
THIS DRAWING IS A CONTROLLED DOCUMENT.		DWN J. K. SHOBER 11JAN2011	TE Connectivity
DIMENSIONS: mm		CHK J. EARY 11JAN2011	
TOLERANCES UNLESS OTHERWISE SPECIFIED: 9 PLC ± 1 PLC ±0.25 3 PLC ±0.13 4 PLC ± ANGLES ±		APVD J. EARY 11JAN2011	NAME IMPACT, 3 PAIR, 8 COLUMN, HEADER UNGUIDED, OPEN END WALL SIGNAL MODULE, 0.46 PTH
MATERIAL SEE TABLE		PRODUCT SPEC	SIZE CAGE CODE DRAWING NO A100779C=2057760
FINISH SEE TABLE		APPLICATION SPEC	RESTRICTED TO
MATERIAL		WEIGHT	CUSTOMER DRAWING
		SCALE 6:1	SHEET 1 OF 2 REV C

THIS DRAWING IS UNPUBLISHED. RELEASED FOR PUBLICATION 20
 © COPYRIGHT 20 . . . ALL RIGHTS RESERVED.

LOC	DIST	REVISIONS					
		P	LTB	DESCRIPTION	DATE	DWN	APVD
AD	00	-	-	SEE SHEET 1	-	-	-

\triangle_3	5.5	2057760-6
\triangle_3	4.9	2057760-5
\triangle_3	4.5	2057760-4
\triangle_2	5.5	2057760-3
\triangle_2	4.9	2057760-2
\triangle_2	4.5	2057760-1
FINISH	DIM M	PART NUMBER

REFER TO WWW.TE.COM
FOR PRODUCT AVAILABILITY

THIS DRAWING IS A CONTROLLED DOCUMENT.		DWN J. K. SHOBER 11JAN2011	 TE Connectivity
DIMENSIONS: mm		CHK J. EABY 11JAN2011	
		APVD J. EABY 11JAN2011	NAME IMPACT, 3 PAIR, 8 COLUMN, HEADER UNGUIDED, OPEN END WALL SIGNAL MODULE, 0.46 PTH
TOLERANCES UNLESS OTHERWISE SPECIFIED: 9 PLC ± 7 PLC ±0.25 5 PLC ±0.13 4 PLC ± ANGLES ± FINISH SEE TABLE		PRODUCT SPEC -	RESTRICTED TO -
MATERIAL -		APPLICATION SPEC -	SIZE CAGE CODE DRAWING NO A100779C=2057760
		WEIGHT -	SCALE 5:1 SHEET 2 OF 2 REV C
		CUSTOMER DRAWING	