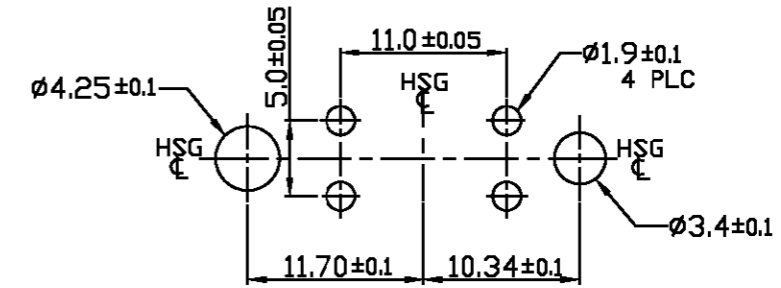
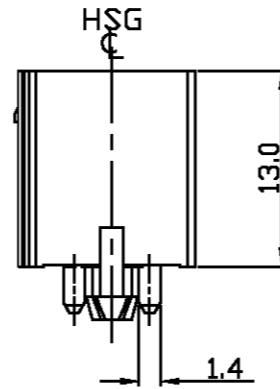
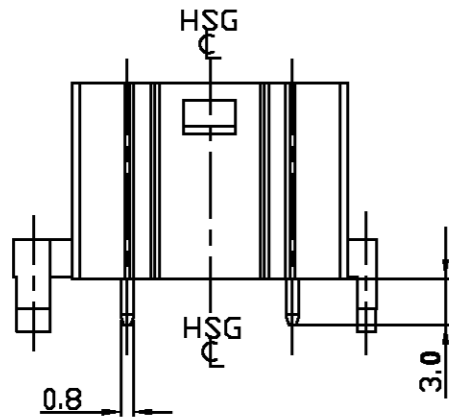
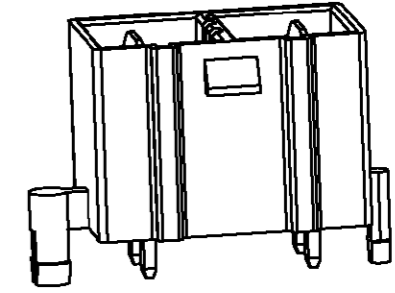
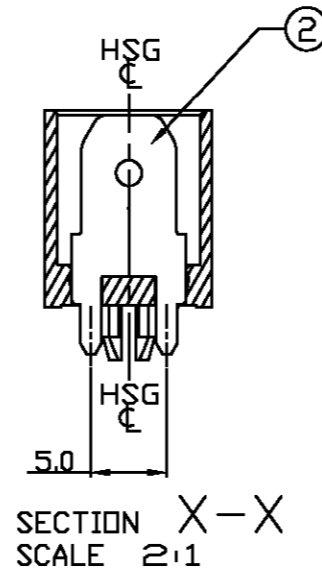
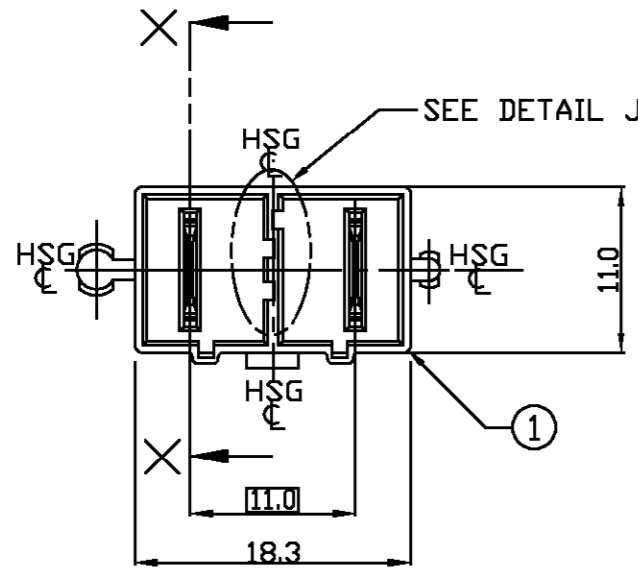


LOC		DIST		REVISIONS			
P	LTR	DESCRIPTION	DATE	DWN	APVD		
	A	RELEASED	19.JUL'05	SC	JK		



RECOMMENDED P.C.B LAYOUT

NOTES

- GENERAL TOLERANCES: ±0.25, ±2°
- KEYING TYPE: SEE TABLE 1
- MATING PLUG HSG P/N: 1743419-□

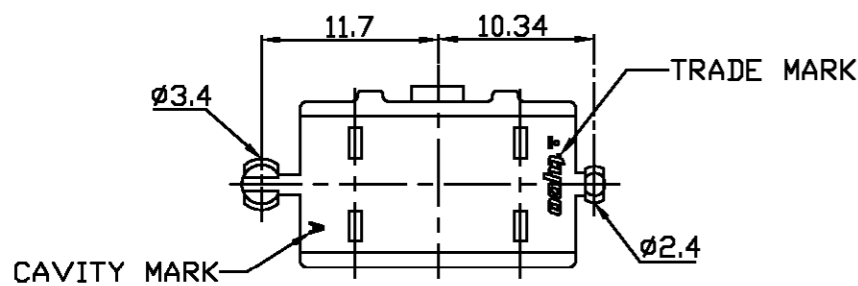


TABLE 1 (SEE DETAIL J)

TYPE	A	B	C	D
KEYING LOCATION				

TABLE 2

ITEM	DESCRIPTION	MATERIAL
①	250 2P HDR HSG(11mm Pitch)	6/6 NYLON
②	TERMINAL FOR 250 2P HSG	BRASS

D	BLUE	1743330-6
C	YELLOW	1743330-4
B	RED	1743330-2
A	NATURAL	1743330-1
△TYPE	COLOR	ASS'Y P/N

THIS DRAWING IS A CONTROLLED DOCUMENT FOR TYCO ELECTRONICS CORPORATION. IT IS SUBJECT TO CHANGE AND THE CONTROLLING ENGINEERING ORGANIZATION SHOULD BE CONTACTED FOR THE LATEST REVISION.		DWN: SC KIM		AMP KOREA, kyungsan, korea	
DIMENSIONS: MM		CHK: BW KANG			
TOLERANCES UNLESS OTHERWISE SPECIFIED: 0 <XX<10 10 <XX<30 30 <XX<∞ ANGLES		APVD: JK SONG		NAME	
3rd ANGLE PROJECTION		PRODUCT SPEC: 108-61068		250 2P HDR ASS'Y (11mm Pitch)	
MATERIAL: SEE TABLE 2		APPLICATION SPEC		RESTRICTED TO	
FINISH		WEIGHT		SIZE: A3	
				CAGE CODE: 00779	
				DRAWING NO: 1743330	
				SCALE: 2/1	
				SHEET: 1 OF 1	
				REV: A	