

170071-1001
APPEARANCE

170071-4001 SHOWN FOR REFERENCE
APPEARANCE MAY VARY WITH SIZE

NOTES:

1. MATERIAL:

CAGE: NICKEL SILVER
CONNECTOR HOUSING: GLASS FILLED THERMOPLASTIC, UL: 94V-0, COLOR: BLACK
TERMINALS: HIGH PERFORMANCE COPPER ALLOY
FRONT SHIELD WALL: COPPER ALLOY
ELASTOMERIC GASKET: SILVER IMPREGNATED SILICONE

2. FINISH

TERMINALS: CONTACT AREA: 0.76 μm MIN. HARD GOLD OVER
3.8 μm MIN. NICKEL.
COMPLIANT TAIL: 0.7-1.5 μm MATTE TIN OVER
0.7-1.5 μm NICKEL
FRONT SHIELD WALL: 0.7-1.5 μm NICKEL OVERALL

3. 2X4 CONFIGURATION SHOWN FOR REFERENCE, SEE CHART FOR AVAILABLE OPTIONS

4. REFER TO PS-170071-0001 FOR ALL ELECTRICAL, MECHANICAL AND ENVIRONMENTAL SPECIFICATIONS.

5. REFER TO AS-170071-0001 FOR CONNECTOR MOUNTING AND REWORK INFORMATION.

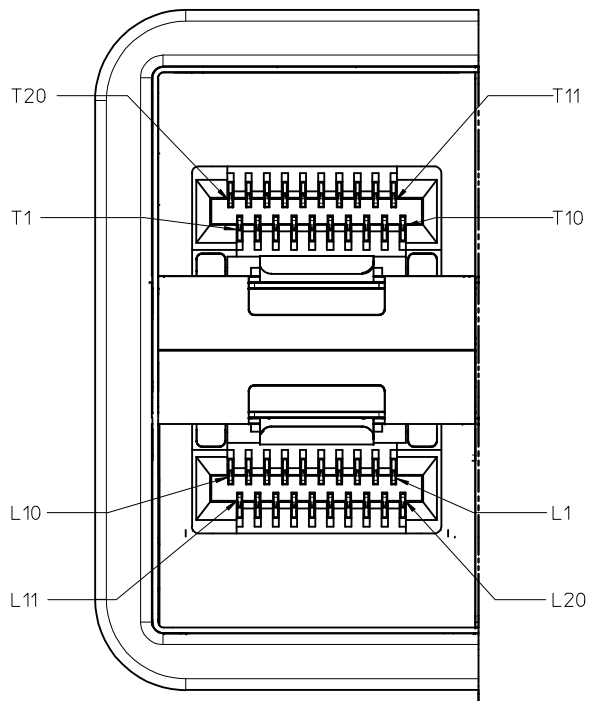
6. REFER TO AS-170071-0002 FOR PCB ROUTING RECOMMENDATIONS.

7. ALL VISIBLE EXTERIOR SURFACES TO BE CLASS "B" (BOTTOM OF CONNECTOR IS CLASS "C") CAGE SURFACES TO CONFORM TO THE MOLEX COSMETIC DOC PS-45499-002.

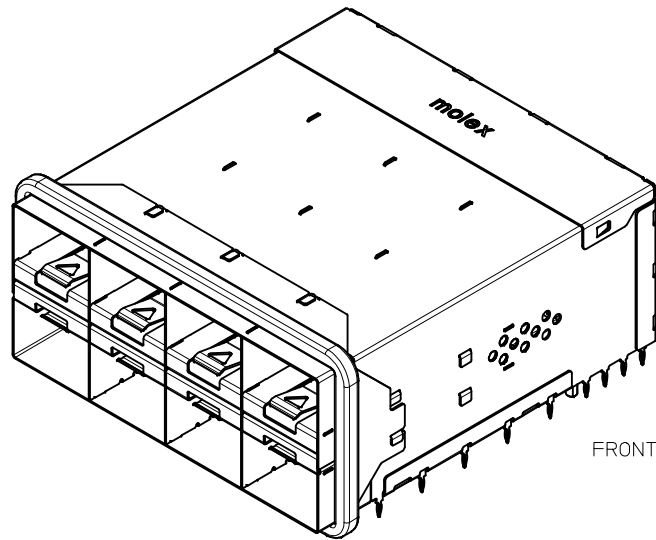
PORT SIZE	PART NUMBER	DIM X	DIM Y
2X1	1700711001	14.50	15.10
2X2	1700712001	28.75	29.35
2X4	1700714001	57.25	57.85
2X6	1700716001	85.75	86.35
2X8	1700718001	114.25	114.85
2X12	1700711201	171.25	171.85

ADDED GENERAL TOL EC NO: UCP2016-3736 DRWINWEMPEGONDA 2016/07/25 CHKD: APPR:SMILLER 2016/08/15	DESCRIPTION QUALITY SYMBOLS ▽=0 ▽=0 ▽=0	GENERAL TOLERANCES (UNLESS SPECIFIED)		DIMENSION STYLE MM ONLY		SCALE 2:1	DESIGN UNITS METRIC	THIRD ANGLE PROJECTION	
		4 PLACES ± --- ± --- 3 PLACES ± --- ± --- 2 PLACES ± 0.13 ± --- 1 PLACE ± 0.25 ± --- 0 PLACE ± ±	mm INCH	DRAWN BY JGONZALEZ01	DATE 2010/05/27	TITLE ZSFP+ STACKED FULL ASSY WITH ELASTOMERIC GASKET			
		ANGULAR ±1/2°		CHECKED BY JKACHLIC	DATE 2010/06/03				
		DRAFT WHERE APPLICABLE MUST REMAIN WITHIN DIMENSIONS		APPROVED BY MBANAKIS	DATE 2010/10/24			DOCUMENT NO. SD-170071-0001	SHEET NO. 1 OF 4

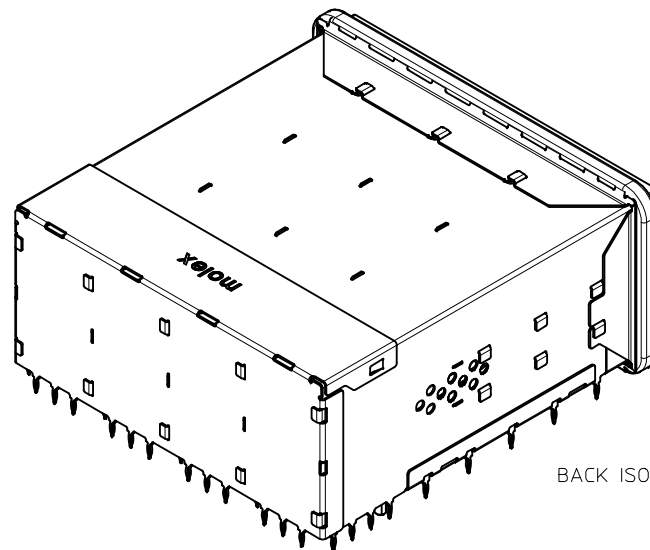
THIS DRAWING CONTAINS INFORMATION THAT IS PROPRIETARY TO MOLEX INCORPORATED AND SHOULD NOT BE USED WITHOUT WRITTEN PERMISSION



Partial1
SCALE 6:1

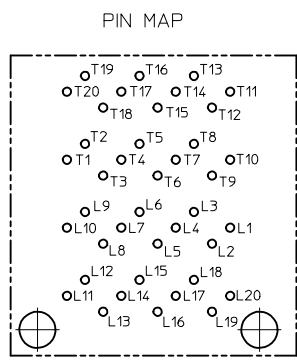
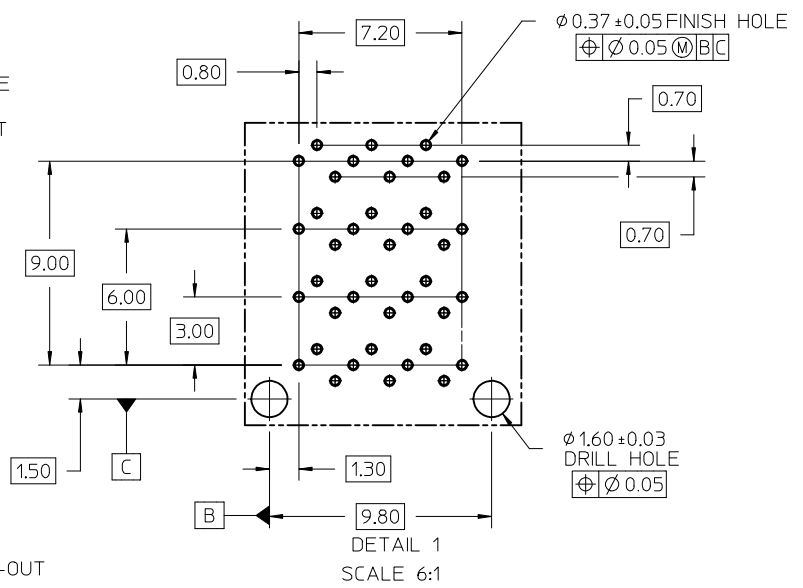
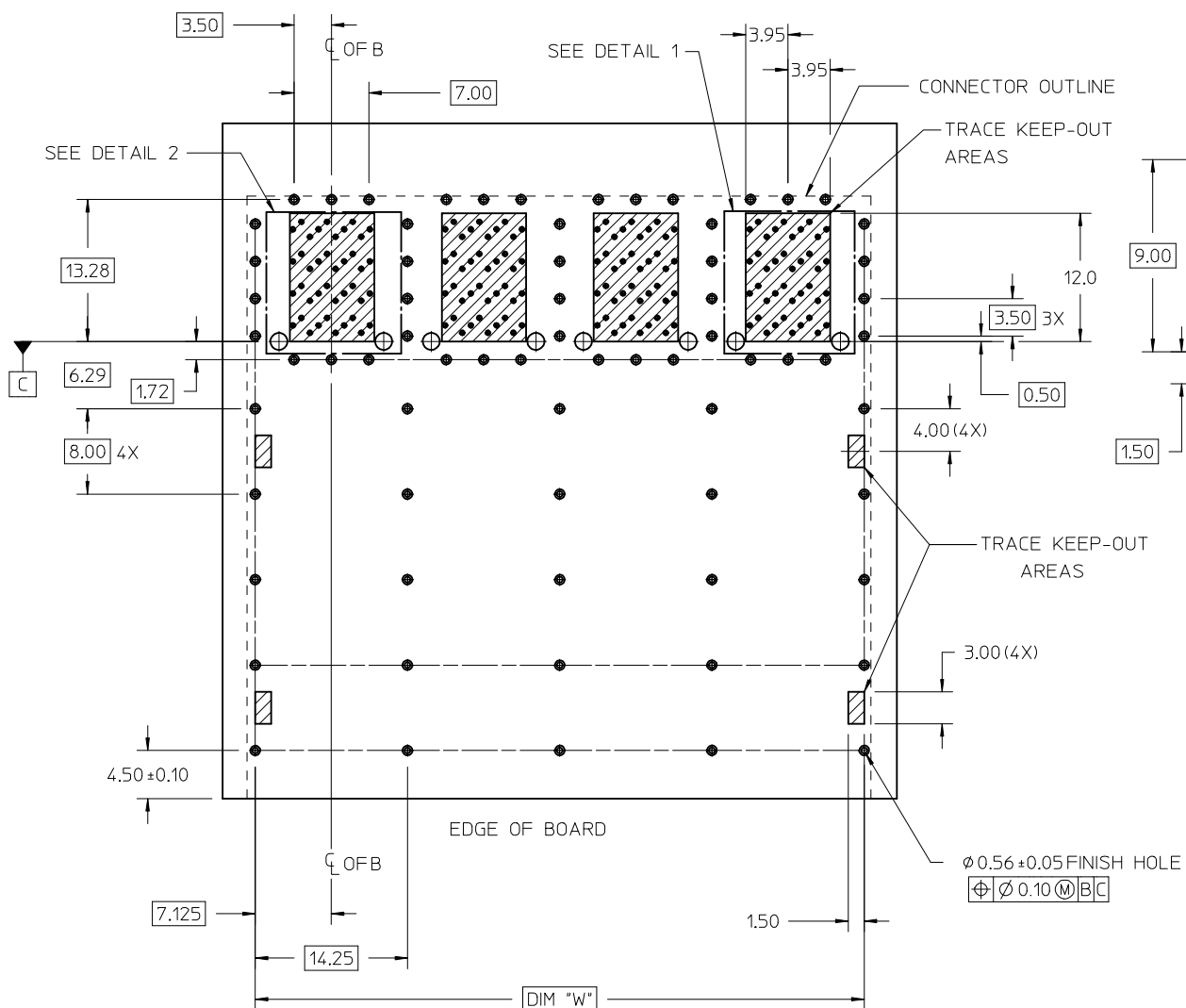


FRONT ISO VIEW



BACK ISO VIEW

SEE SHEET 1 EC NO: UCP2016-3736 DRWN:MKPECONDA 2016/07/25 CHKD: APPR:SMILLER 2016/08/15 DESCRIPTION	QUALITY SYMBOLS	GENERAL TOLERANCES (UNLESS SPECIFIED)	DIMENSION STYLE	SCALE	DESIGN UNITS	THIRD ANGLE PROJECTION
	▽=0	mm INCH	MM ONLY	2:1	METRIC	
	▽=0	4 PLACES ± --- ± ---	DRAWN BY DATE	TITLE		
	▽=0	3 PLACES ± --- ± ---	JKGONZALEZ01 2010/05/27	ZSFP+ STACKED FULL ASSY WITH ELASTOMERIC GASKET		
	▽=0	2 PLACES ± 0.13 ± ---	CHKD BY DATE			
	1 PLACE ± 0.25 ± ---	JKACHLIC 2010/06/03				
	0 PLACE ± ±	APPROVED BY DATE	DOCUMENT NO.			
	ANGULAR ±1/2°	MBANAKIS 2010/10/24	SD-170071-0001			
	DRAFT WHERE APPLICABLE MUST REMAIN WITHIN DIMENSIONS	MATERIAL NO.	SHEET NO.			
		SEE CHART	2 OF 4			
		SIZE C	THIS DRAWING CONTAINS INFORMATION THAT IS PROPRIETARY TO MOLEX INCORPORATED AND SHOULD NOT BE USED WITHOUT WRITTEN PERMISSION			



HOLE CHART				
PORT SIZE	DIM "W"	SIGNALS (Ø0.37)	SHIELD GROUND (Ø0.56)	CONNECTOR LOCATION (Ø1.60)
2X1	14.25	40	24	2
2X2	28.50	80	39	4
2X4	57.00	160	69	8
2X6	85.50	240	99	12
2X8	114.00	320	129	16
2X12	171.00	480	189	24

SEE SHEET 1
 EC NO: UCP2016-3736
 DRWINGKEMPEGONDA 2016/07/25
 CHKD: MILLER
 APPR: MILLER 2016/08/15

QUALITY SYMBOLS
 ∇=0
 ∇=0
 ∇=0

GENERAL TOLERANCES (UNLESS SPECIFIED)

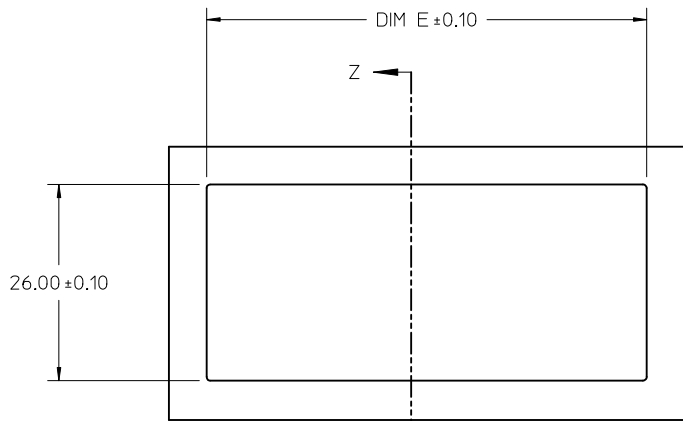
	mm	INCH
4 PLACES	± 0.13	± 0.005
3 PLACES	± 0.13	± 0.005
2 PLACES	± 0.13	± 0.005
1 PLACE	± 0.25	± 0.010
0 PLACE	± 0.25	± 0.010

 ANGULAR ±1/2°
 DRAFT WHERE APPLICABLE MUST REMAIN WITHIN DIMENSIONS

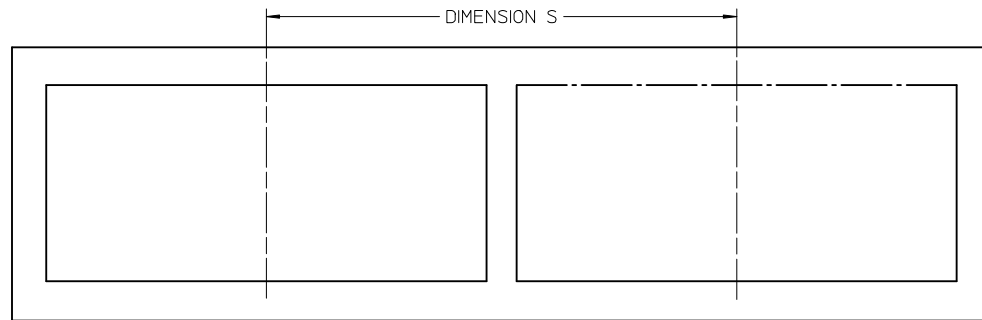
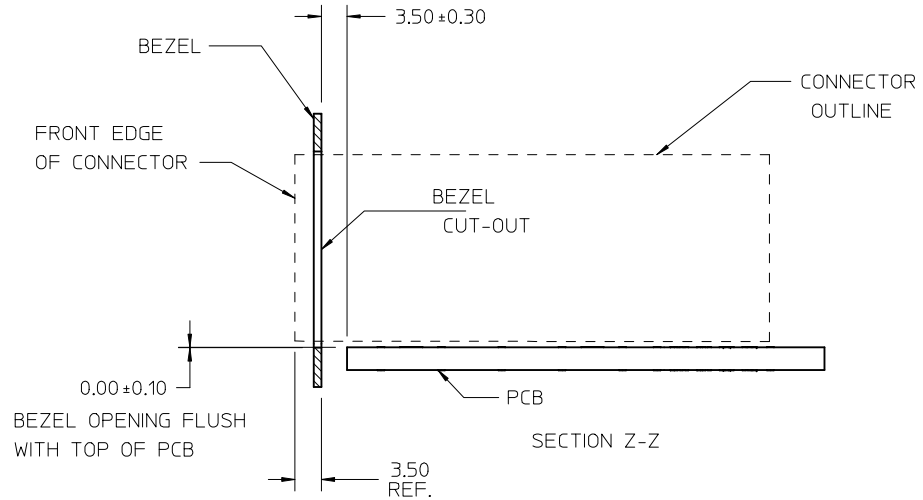
DIMENSION STYLE: MM ONLY
 SCALE: 3:1
 DESIGN UNITS: METRIC
 THIRD ANGLE PROJECTION
 TITLE: ZSFP+ STACKED FULL ASSY WITH ELASTOMERIC GASKET
 DRAWN BY: JGONZALEZ01 DATE: 2010/05/27
 CHECKED BY: JKACHLIC DATE: 2010/06/03
 APPROVED BY: MBANAKIS DATE: 2010/10/24
 MATERIAL NO.: SEE CHART
 DOCUMENT NO.: SD-170071-0001
 SHEET NO.: 3 OF 4



THIS DRAWING CONTAINS INFORMATION THAT IS PROPRIETARY TO MOLEX INCORPORATED AND SHOULD NOT BE USED WITHOUT WRITTEN PERMISSION



BEZEL CUT-OUT DETAIL
BEZEL THICKNESS 0.8-2.6



BEZEL CUT OUT FOR
CONNECTOR STACKING

CONFIGURATION	DIM 'E'	DIM 'S'
2X1	15.50	20.40 MINIMUM
2X2	29.75	34.65 MINIMUM
2X4	58.25	63.15 MINIMUM
2X6	86.75	91.65 MINIMUM
2X8	115.25	120.15 MINIMUM
2X12	172.25	177.15 MINIMUM

SEE SHEET 1 EC NO: UCP2016-3736 DRW:WKP/EGONDA 2016/07/25 CHKD: APPR:SMILLER 2016/08/15	QUALITY SYMBOLS 	GENERAL TOLERANCES (UNLESS SPECIFIED) <table border="1"> <tr> <td></td> <td>mm</td> <td>INCH</td> </tr> <tr> <td>4 PLACES</td> <td>± 0.10</td> <td>± 0.004</td> </tr> <tr> <td>3 PLACES</td> <td>± 0.15</td> <td>± 0.005</td> </tr> <tr> <td>2 PLACES</td> <td>± 0.25</td> <td>± 0.010</td> </tr> <tr> <td>1 PLACE</td> <td>± 0.38</td> <td>± 0.015</td> </tr> <tr> <td>0 PLACE</td> <td>± 0.50</td> <td>± 0.020</td> </tr> </table>		mm	INCH	4 PLACES	± 0.10	± 0.004	3 PLACES	± 0.15	± 0.005	2 PLACES	± 0.25	± 0.010	1 PLACE	± 0.38	± 0.015	0 PLACE	± 0.50	± 0.020	DIMENSION STYLE MM ONLY DRAWN BY: JGONZALEZ01 DATE: 2010/05/27 CHECKED BY: JKACHLIC DATE: 2010/06/03 APPROVED BY: MBANAKIS DATE: 2010/10/24	SCALE: 2:1 DESIGN UNITS: METRIC THIRD ANGLE PROJECTION	TITLE: ZSFP+ STACKED FULL ASSY WITH ELASTOMERIC GASKET
		mm	INCH																				
	4 PLACES	± 0.10	± 0.004																				
	3 PLACES	± 0.15	± 0.005																				
2 PLACES	± 0.25	± 0.010																					
1 PLACE	± 0.38	± 0.015																					
0 PLACE	± 0.50	± 0.020																					
		ANGULAR ±1/2° DRAFT WHERE APPLICABLE MUST REMAIN WITHIN DIMENSIONS	MATERIAL NO. SEE CHART	DOCUMENT NO. SD-170071-0001	SHEET NO. 4 OF 4																		
			SIZE: C THIS DRAWING CONTAINS INFORMATION THAT IS PROPRIETARY TO MOLEX INCORPORATED AND SHOULD NOT BE USED WITHOUT WRITTEN PERMISSION																				