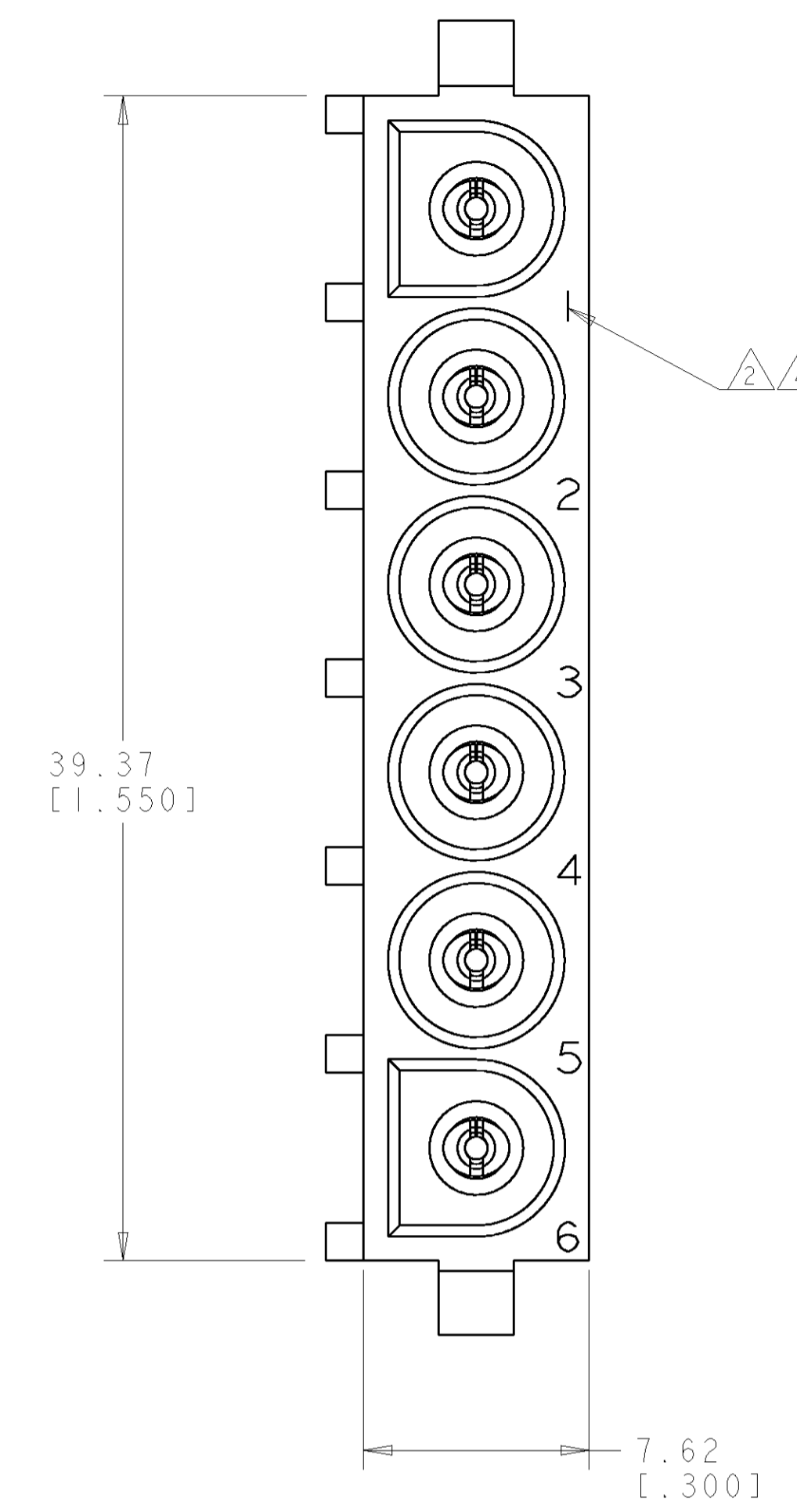
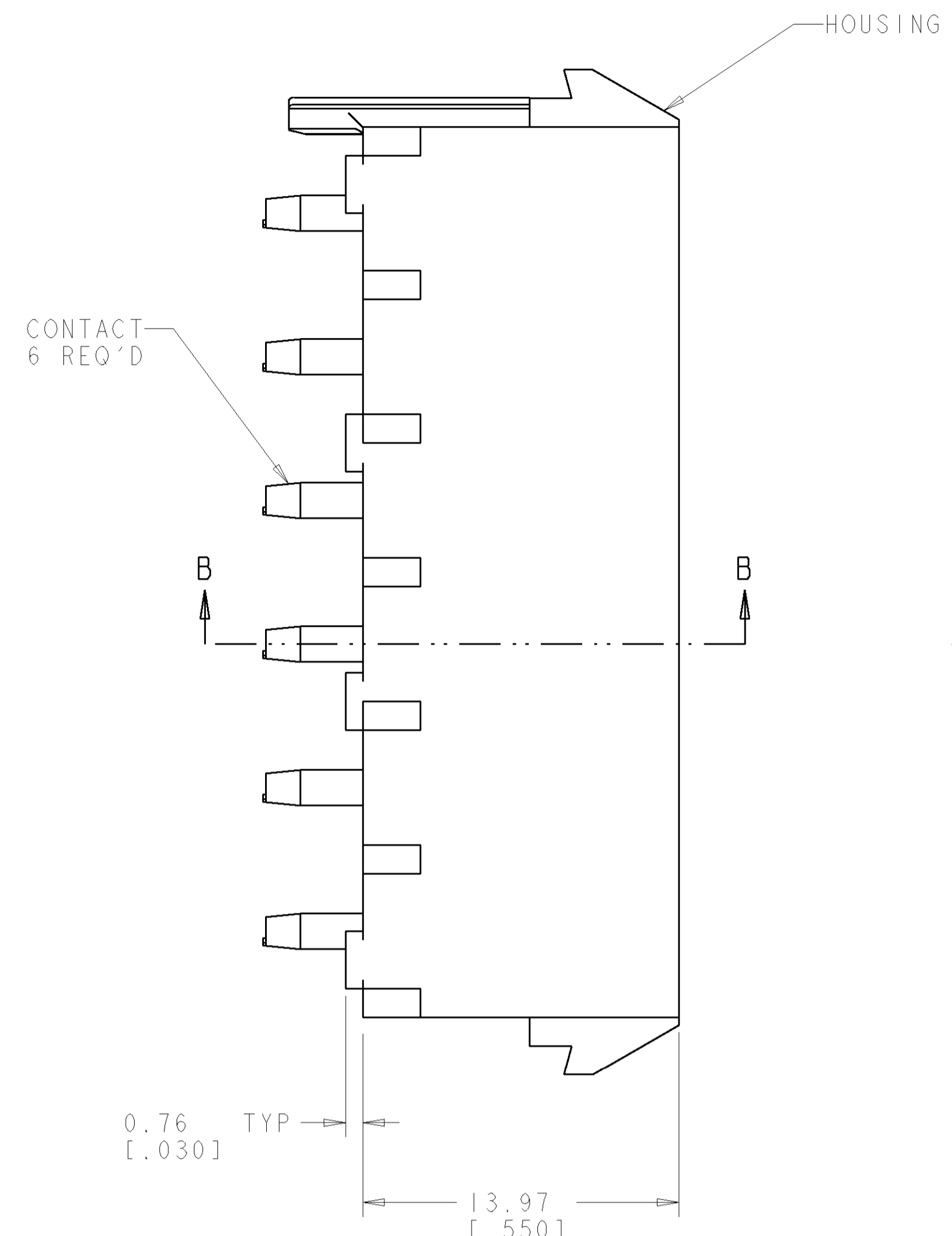
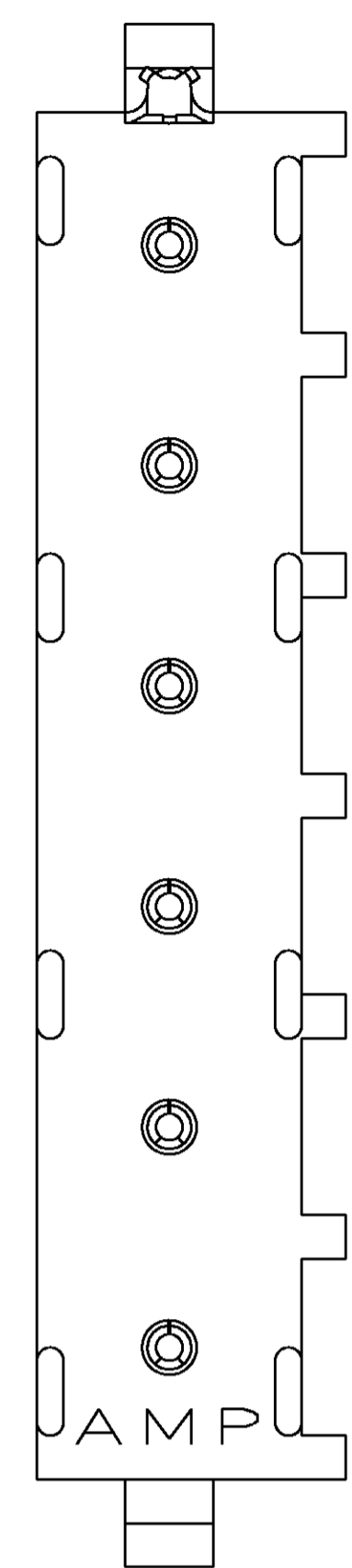
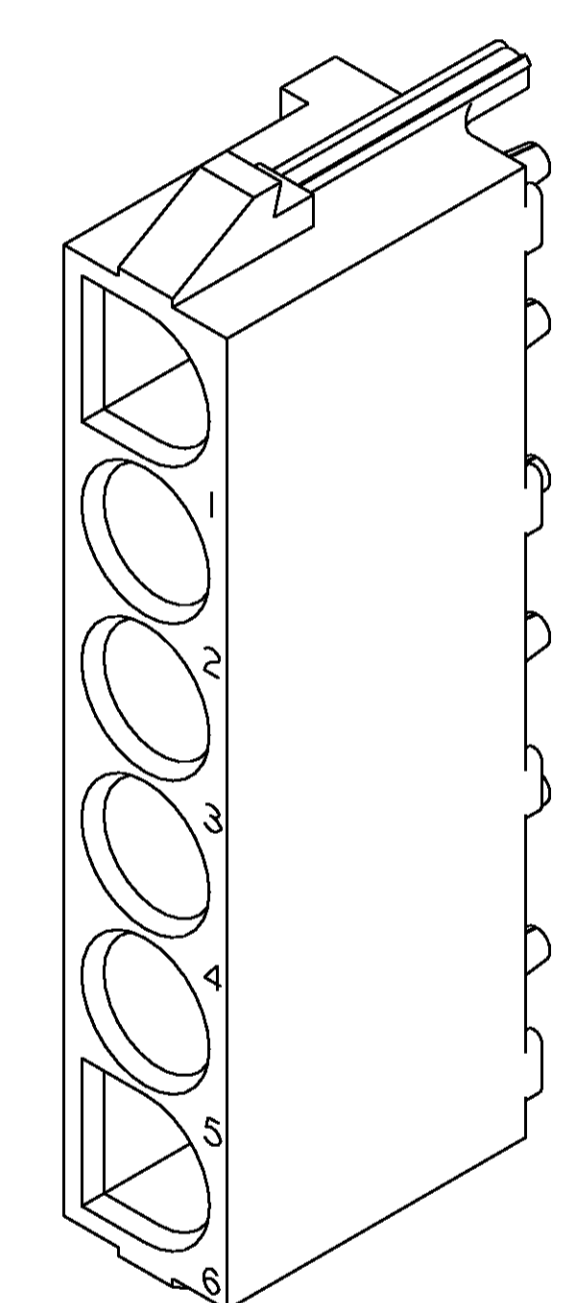


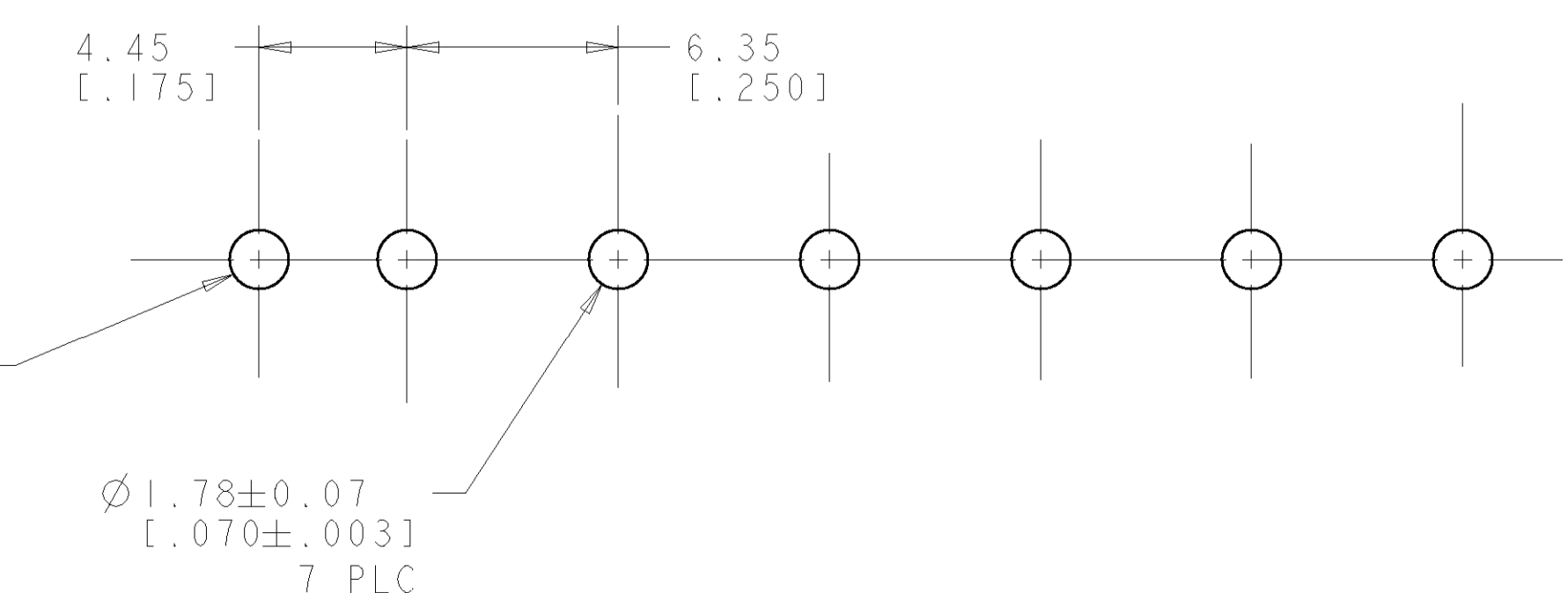
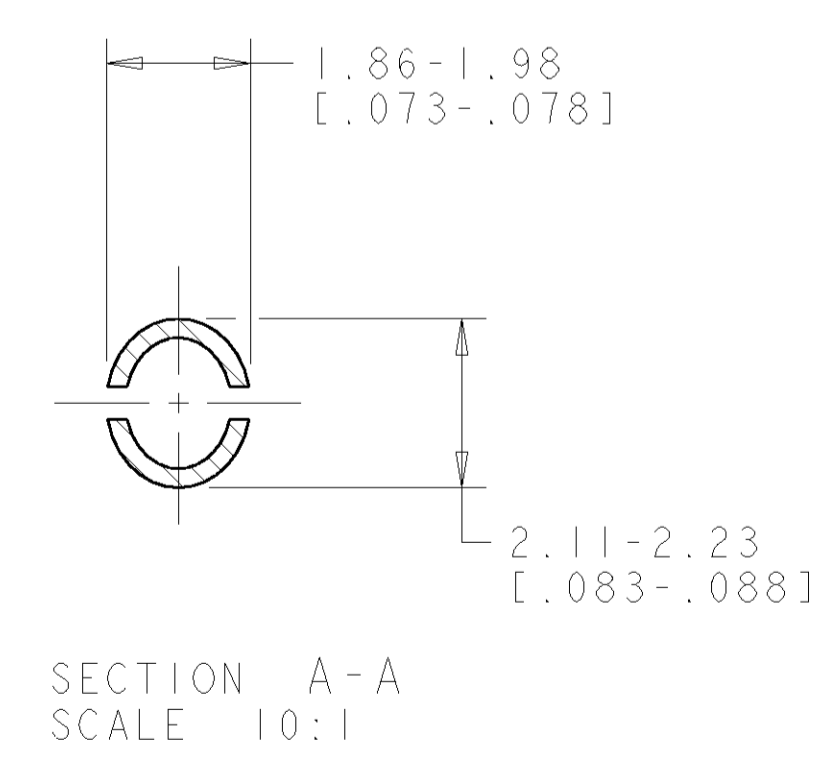
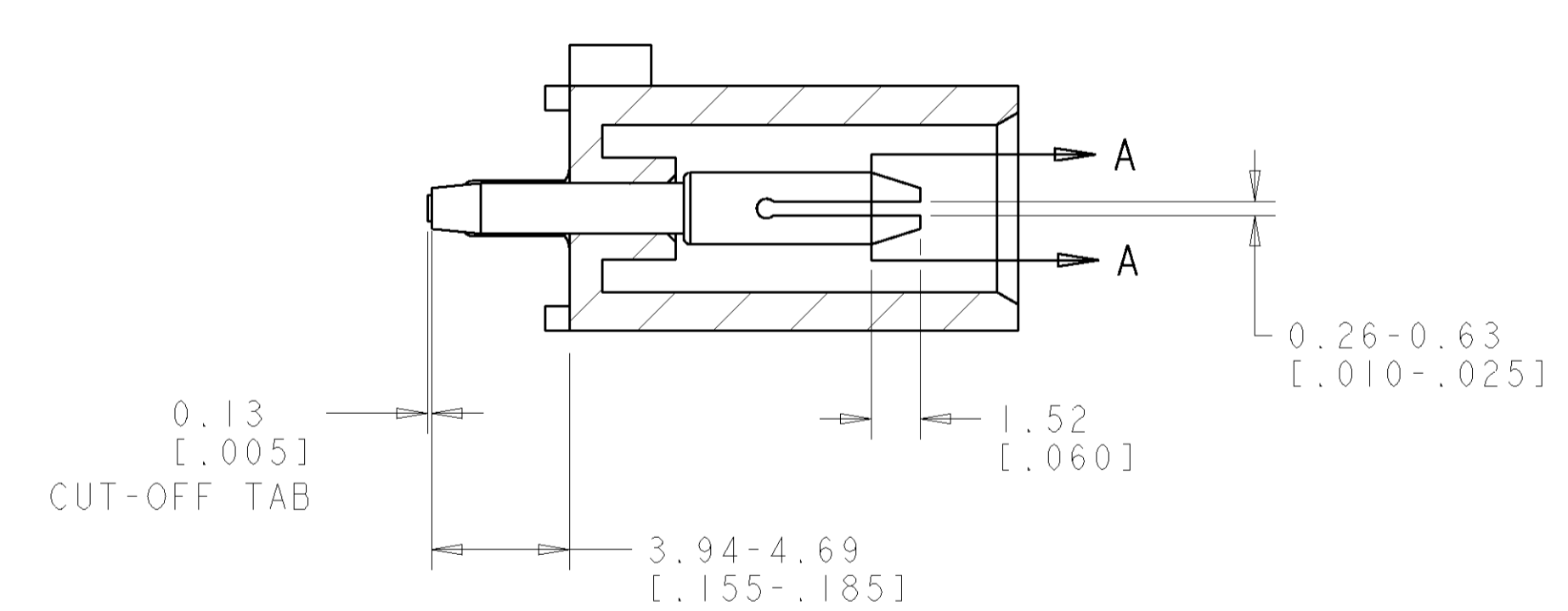
LOC		DIST		REVISIONS			
CM	00	P	LTR	DESCRIPTION	DATE	DWN	APVD
		0		REVISED PER 0638-0087-04	29MAR04	KW	SR



- PARTS COMPLY TO AMP SOLDERABILITY SPECIFICATION 109-11-3.
- CIRCUIT IDENTIFICATION CHARACTERS ARE ADJACENT TO THE INDICATED CAVITIES, BUT LOCATION AND ORIENTATION MAY DIFFER FROM PRINT.
- DIMENSIONS IN BRACKETS ARE IN INCHES.
- IDENTIFICATION WILL APPEAR AT CIRCUIT NO. 1, OTHERS OPTIONAL.



SCALE 4:1



RECOMMENDED MOUNTING HOLE PATTERN FOR 1.57 [0.062] THICK P.C. BOARD

PHOSPOR BRONZE, PRE-TIN PIN CONTACT MATERIAL AND FINISH		NYLON, UL94V-0, WHITE HOUSING MATERIAL AND COLOR		1586173-1 PART NUMBER
<small>THESE DIMENSIONS ARE UNLESS OTHERWISE SPECIFIED. DIMENSIONS IN BRACKETS ARE IN INCHES. DIMENSIONS IN PARENTHESES ARE METRIC EQUIVALENTS. DIMENSIONS IN PARENTHESES ARE METRIC EQUIVALENTS. DIMENSIONS IN PARENTHESES ARE METRIC EQUIVALENTS.</small>		DWN R. WHITAKER 30MAR04 CHK S. RIDGILL 30MAR04 APVD S. RIDGILL 30MAR04		Tyco Electronics Harrisburg, PA 17105-3608
DIMENSIONS: mm [INCHES] TOLERANCES UNLESS OTHERWISE SPECIFIED: 0 PLC ± 1 PLC ±0.13 [0.005] 2 PLC ± 3 PLC ± 4 PLC ± 5 PLC ± 6 PLC ± 7 PLC ± ANGLES 40°±10°		NAME: PIN HEADER ASSEMBLY, POLARIZED, 6 CIRCUIT INLINE, NO DRAIN HOLES, UNIVERSAL MATE-N-LOK™ PRODUCT SPEC: APPLICATION SPEC: SIZE: CAGE CODE: DRAWING NO: A1 00779 C=1586173 WEIGHT: - FINISH: SEE TABLE		RESTRICTED TO: CUSTOMER DRAWING SCALE 5:1 SHEET 1 OF 1 REV 0

