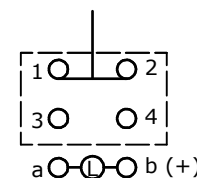
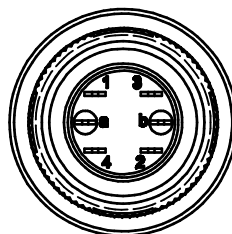
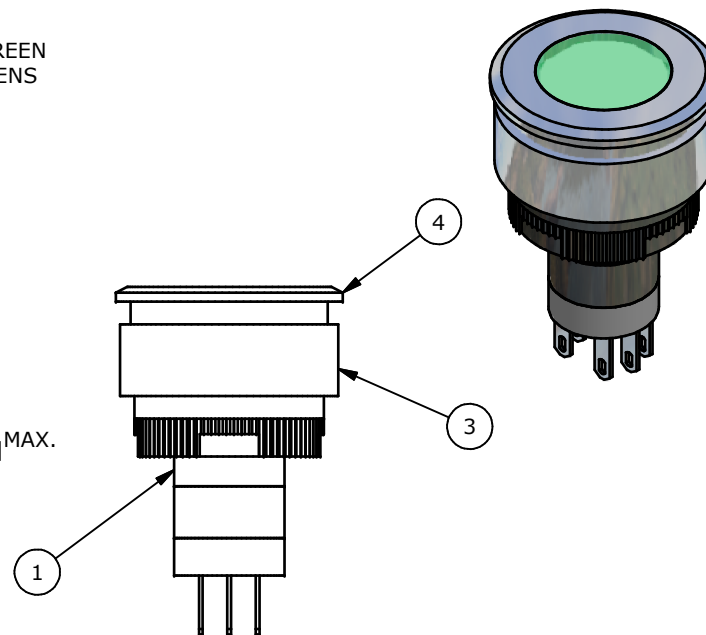
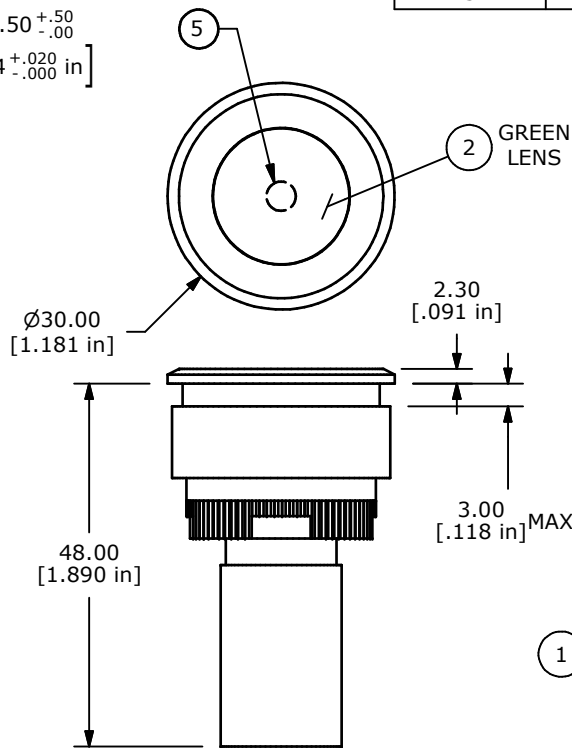
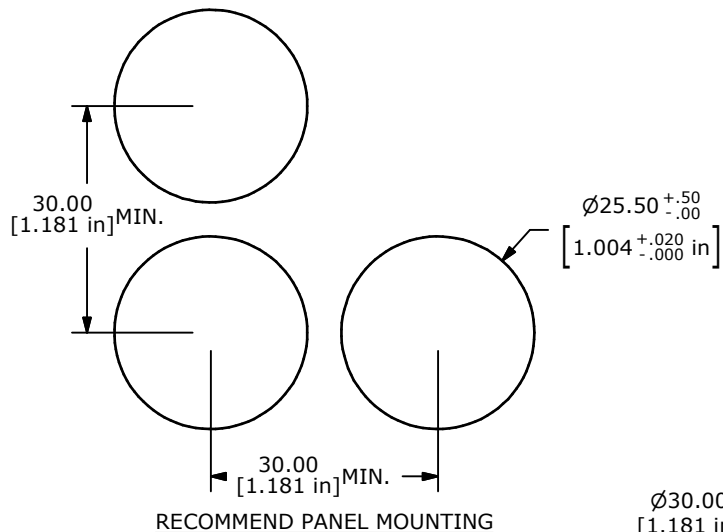


▲ Parts List

ITEM	QTY	PART NUMBER	DESCRIPTION
1	1	F060619	LAKEEV11 BODY
2	1	F060202	25 MM GREEN LENS
3	1	F051705	30MM FLUSH MOUNT RETAINER
4	1	F051704	30MM FLUSH MOUNT BEZEL
5	1	F050419	LED 12VDC GREEN



▲ SPDT CONTACT CONFIGURATION

NOTES:

1. ALL DIMENSIONS IN MM [INCH].
2. GENERAL TOLERANCE: 0.0= 0.4  
0.00= 0.25
3. TERM. NOS. FOR REF. ONLY.
- ▲ 4. RATING: 5A @250VAC  
8A @125VAC  
0.2A @250VDC  
6A @24VDC
5. INSULATION: 1,000 MΩ MIN.
6. DIELECTRIC STRENGTH: 2000V FOR 1 MIN.
7. SEALED TO IP65.
8. TRAVEL: 3.0MM FULL TRAVEL, 2.0MM LATCH
9. ELECTRICAL LIFE: >50,000 CYCLES
10. OPERATING TEMP: -25C TO +55C
11. PANEL THICKNESS: 0.5MM TO 3.0MM
- ▲ 12. LAMP: LED 12VDC GREEN
13. ▲ DENOTES CRITICAL PARAMETER.
14. 2002/95/EC (ROHS) COMPLIANT



TITLE LAKEEV31JGRNGRN

A	19406	RELEASE FOR PRODUCTION	11/09/10	BMA
REV	PCR NO	DESCRIPTION	DATE	BY

SCALE	DATE	DR	DWG	REV
1:1	11/9/2010	BMA	XF0832P	A

THE INFORMATION CONTAINED IN THIS DOCUMENT IS PROPRIETARY TO E-SWITCH AND IS NOT TO BE COPIED OR TRANSFERRED