

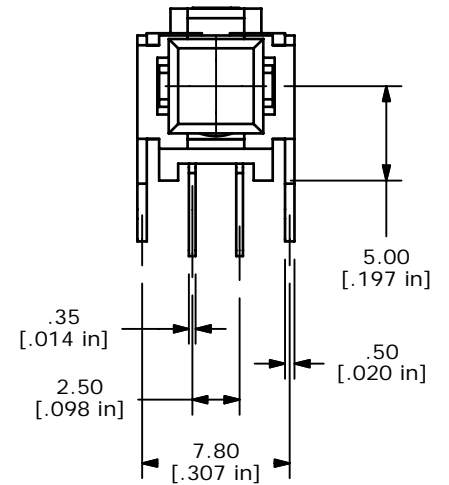
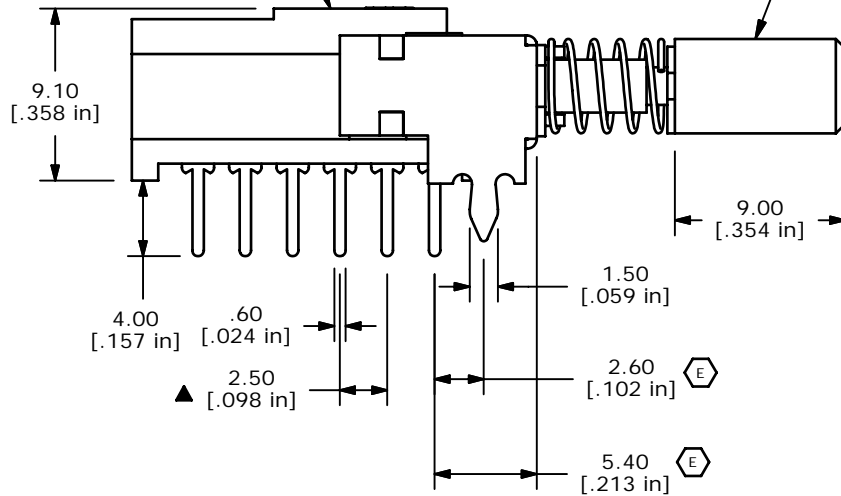
CIRCUIT: 4PDT

NOTES:

1. ALL DIMENSIONS IN MM [INCH]
2. GENERAL TOLERANCE: X.X=±0.4  
X.XX=±0.25
3. TERM. NOS. FOR REFERENCE ONLY.
4. RATING 0.1A @30V DC
- ▲ 5. MATERIALS:  
CONTACT/TERMINALS: SILVER PLATE  
HOUSING: PBT UL94HB  
BASE: PA66 UL94HB  
ACTUATOR: POM  
CAP: ABS UL94VO
6. CONTACT RESISTANCE: 100 mΩ (INITIAL)
- ▲ 7. TIMING: NON-SHORTING
8. OPERATING FORCE: 280± 50GF
9. TRAVEL: LATCHING  
2MM TO LOCK  
3MM OVERALL
10. ELECTRICAL LIFE: 10000 CYCLES
11. OPERATING TEMP: -20°C TO +70°C
11. 2002/95/EC (ROHS) COMPLIANT
13. ▲ DENOTES CRITICAL PARAMETER.

PBH4UEEKZXNAGX  
▲ (Q960009)

1SBLK  
Q800310 ▲



E	15942	MOVE KZX 0.45MM CLOSER TO SWITCH	4/4/06	BK
D	15681	ADD CRITICAL TO 2.50 DIM	1/16/06	PH
C	15336	ADDED ROHS NOTE, EDIT PC MOUNT.	9/27/05	PH
B	15260	REVISED CAP DESCRIPTION, NOTE 5	9/8/05	PH
A	15208	RELEASED FOR PRODUCTION	8/26/05	PH
REV	PCR NO	DESCRIPTION	DATE	BY

THE INFORMATION CONTAINED IN THIS DOCUMENT IS PROPRIETARY TO E-SWITCH AND IS NOT TO BE COPIED OR TRANSFERRED

**E-SWITCH®**

TITLE PBH4UEEKZXNAG1SBLK

SCALE	DATE	DR	DWG	REV
2.5:1	08/26/05	PH	XQ0011P	E