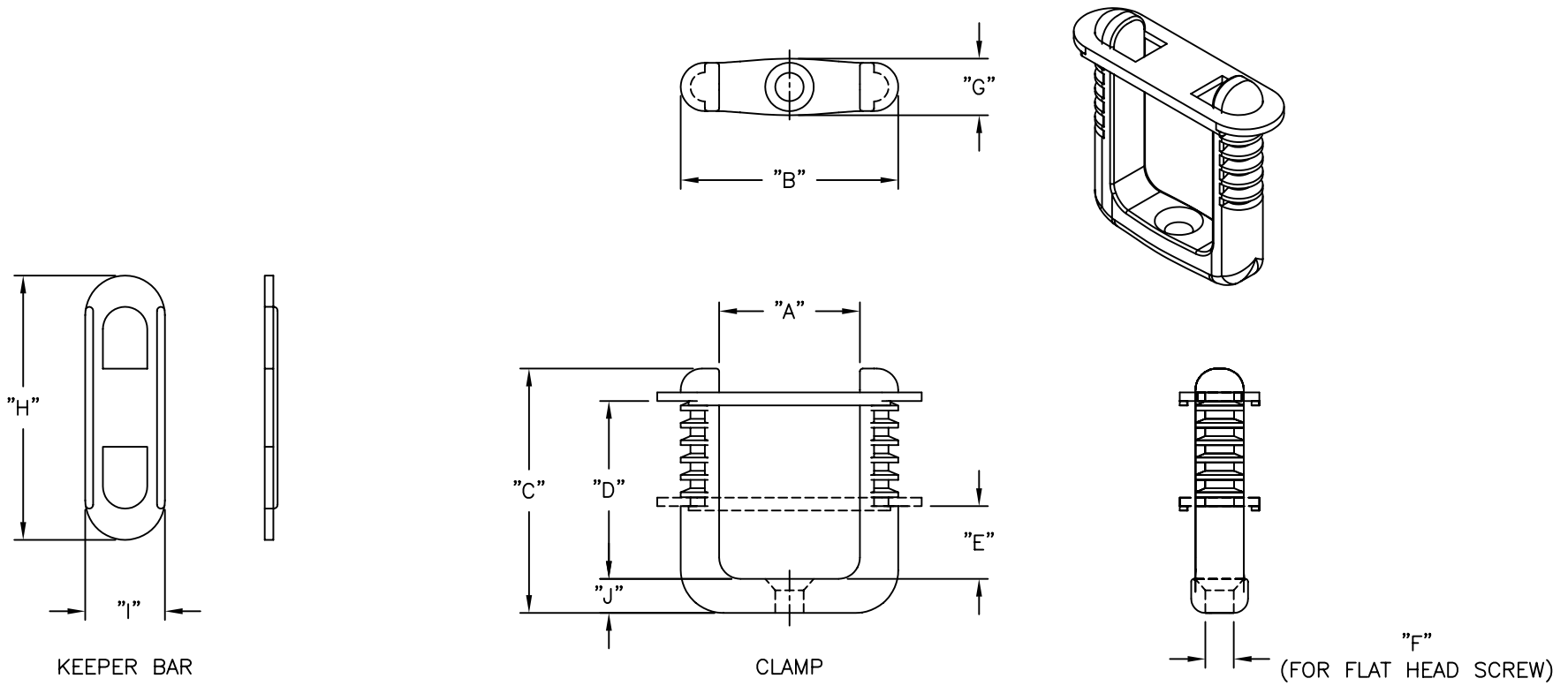


PART NO.	DIM. "A"	DIM. "B"	DIM. "C"	DIM. "D"	DIM. "E"	DIM. "F"	DIM. "G"	DIM. "H"	DIM. "I"	DIM. "J"
D-1	.990 (25.1)	1.53 (38.9)	1.72 (43.7)	1.25 (31.8)	.51 (13.0)	.200 (5.1)	.40 (10.2)	1.86 (47.2)	.56 (14.2)	.24 (6)
D-1.5	1.457 (37.0)	2.175 (55.2)	2.23 (56.6)	1.65 (41.9)	.66 (16.8)		.46 (11.7)	2.47 (62.7)	.70 (17.8)	.31 (7.9)



- NOTES:
- MATERIAL: NYLON 6/6 (RMS-01).
FLAME RETARDANT NYLON (RMS-19),
AVAILABLE BY SPECIAL ORDER ONLY.
 - COLOR: NATURAL.
 - ALL DIMENSIONS ARE FOR REFERENCE ONLY.

TITLE: D-CLAMPS			DWG IN IN (MM)		FINAL	
E	SEE ECN #1273 FOR CHANGES	SK 01.18.07	TOLERANCES UNLESS NOTED	FILE # D-CLAMPS	DWN: S.M.	APP:
D	ADDED TABLE, PART NO. D-1.5 AND NOTE 3.	SM 07.27.01	.XX=±.010	MAT'L: SEE NOTES	DT: 06/06/01	DT:
C	REMOVED D-.250, D-.500 AND D-1.5; RE-DRAWN AND UPDATED	SM 06.06.01	.XXX=±.005	RE: RICHCO, INC.	RICHCO INC. PO BOX 804238, CHICAGO, 60680 (773) 539-4060	
B	MAT'L RMS-19 ADDED	JL 04.04.00	FRAC=±1/64			PART # SEE TABLE
A	CONVERTED TO ACAD	PB 03.31.95	ANG=±1°			PRINT TYPE CA
REV	DESCRIPTION	ENGR DATE				