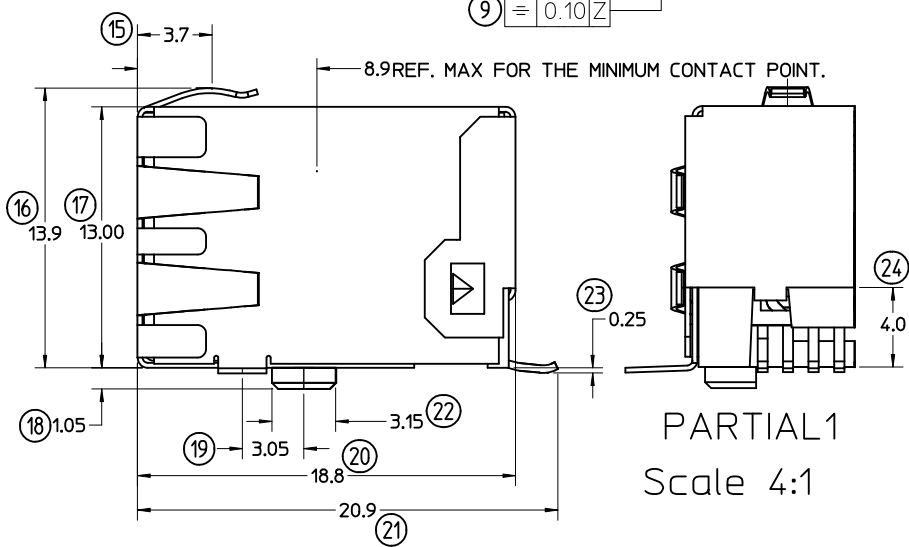
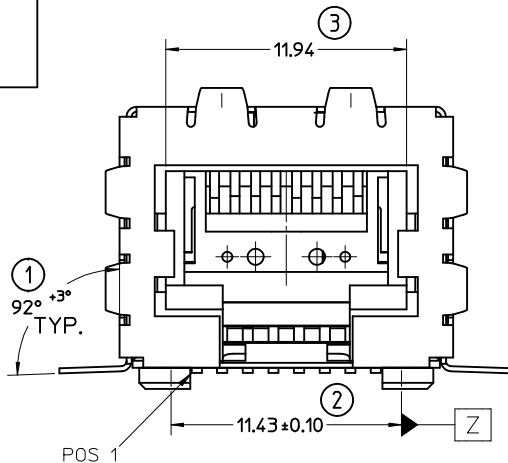
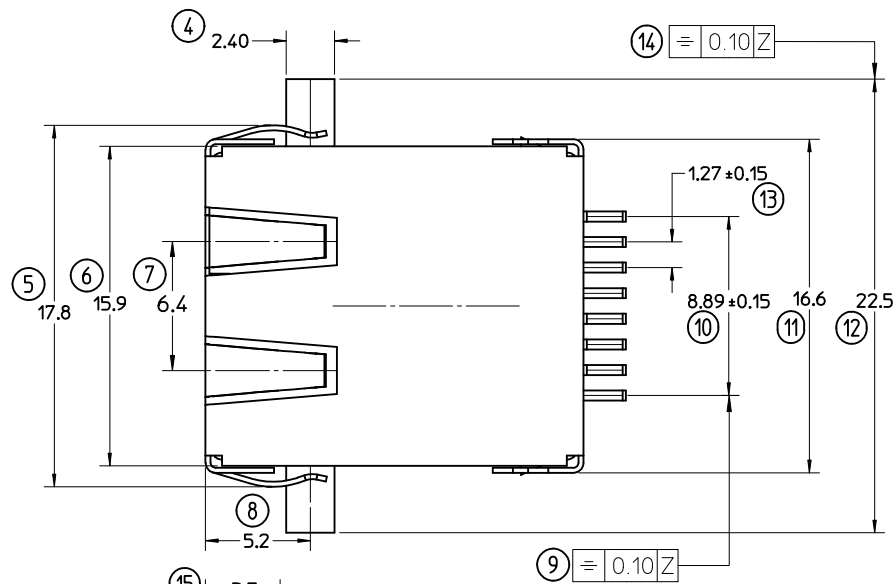
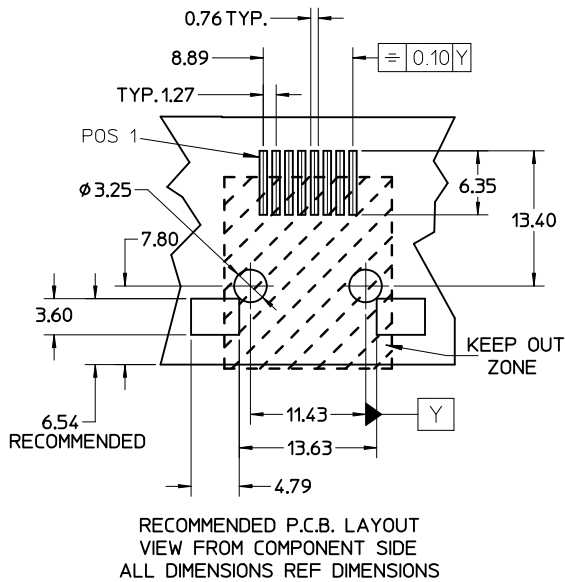


PART No.	PLATING
85543-7001	7



PARTIAL 1
Scale 4:1

NOTES:

- 1- JACK FOR MATING WITH SHIELDED PLUG (MOLEX 95043 SERIES)
- 2- PRODUCT SPECIFICATION: PS-85543-002
- 3- PACKAGING SPECIFICATION: PK-85542-002 (BLISTER ON REEL)
- ② 4- COPLANARITY OF SIGNAL LEADS: 0.10 MAX
- 5- EXCEEDS CATEGORY 5E PERFORMANCE.
- 6- RECOMMENDED PCB THICKNESS 1.57

LAST INSPECTION No: 25

TECHNICAL SPECIFICATIONS:

MATERIAL:

HOUSING: LCP GLASS FILLED UL 94V0.
COLOUR BLACK.

TERMINAL: PHOSPHOR BRONZE PLATED WITH:

PLATING 7: POST PLATE 0.00005 MIN GOLD FLASH OVER
0.00060 MIN PALLADIUM-NICKEL IN CONTACT AREA,
0.00190 MIN PURE TIN IN TAIL AREA,
BOTH OVER 0.00127 MIN NICKEL OVERALL.

SHIELD: BRASS PLATED WITH 0.0020 MIN TIN.

UPDATED PS NOTE EC NO: IPG2012-0375 DRWN: JOCANNOR 2012/02/14 CHKD: APPR: EFOLAN 2012/03/07	DESCRIPTION QUALITY SYMBOLS ▽=0 ◻=0	GENERAL TOLERANCES (UNLESS SPECIFIED)		DIMENSION STYLE MM ONLY		SCALE 4:1	DESIGN UNITS METRIC	THIRD ANGLE PROJECTION		
			mm	INCH	DRAWN BY	DATE	TITLE			
		4 PLACES	± ---	± ---	DBYRNES	2006/09/05	HIGH SPEED R/A FULLY SHIELDED MOD JACK(8-CCT)			
		3 PLACES	± ---	± .010	CHECKED BY	DATE				
2 PLACES	± 0.25	± .014	EOMAHONY	2006/09/06	MOLEX INCORPORATED					
1 PLACE	± 0.35	± ---	APPROVED BY	DATE						
ANGULAR ± 2 °				EOMAHONY	2006/09/06	MATERIAL NO.		DOCUMENT NO.		
DRAFT WHERE APPLICABLE MUST REMAIN WITHIN DIMENSIONS				SEE CHART		SD-85543-501		SHEET NO. 1 OF 1		
THIS DRAWING CONTAINS INFORMATION THAT IS PROPRIETARY TO MOLEX INCORPORATED AND SHOULD NOT BE USED WITHOUT WRITTEN PERMISSION										