

THIS DRAWING IS UNPUBLISHED.

RELEASED FOR PUBLICATION

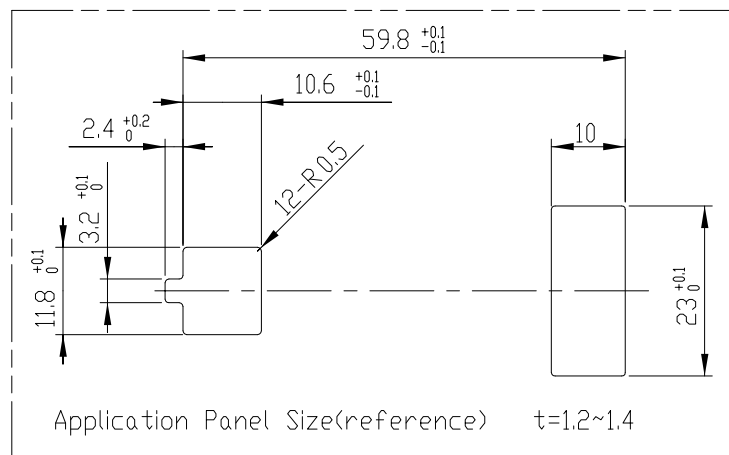
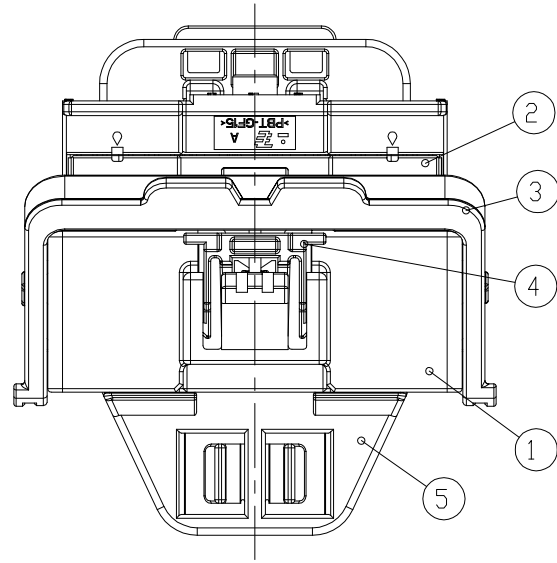
© COPYRIGHT

ALL RIGHTS RESERVED.

LOC	DIST
DS	

REVISIONS

P	LTR	DESCRIPTION	DATE	DWN	APVD
C		REVISED (ECR-11-008702)	26APR11	YH	HG
C1		REVISED (ECR-11-015243)	22JUL11	YH	HG
C2		REVISED (ECR-13-014281)	11SEP13	JY	HG



□T300 BODY-IP CONN. MALE HOUSING ASS'Y

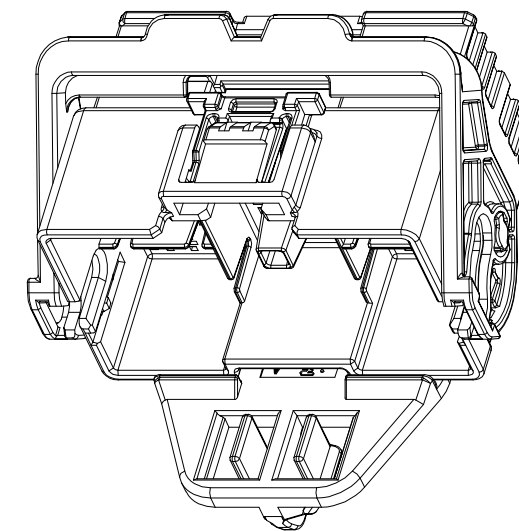
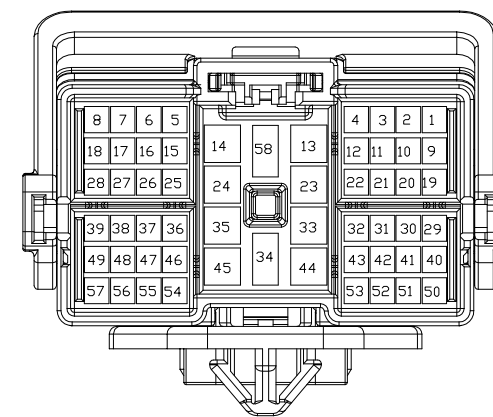
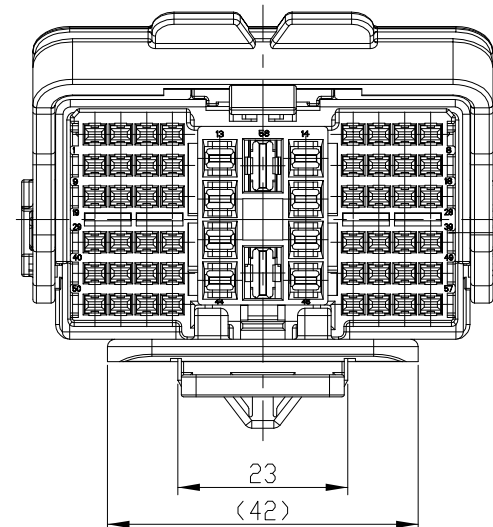
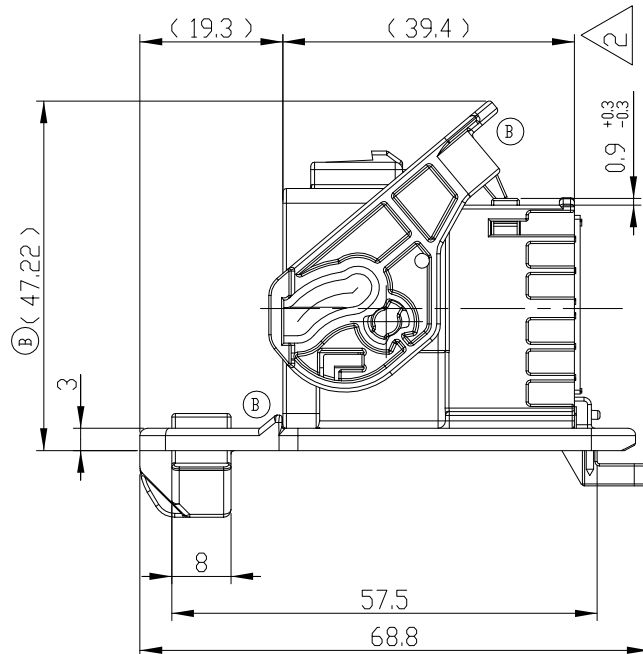
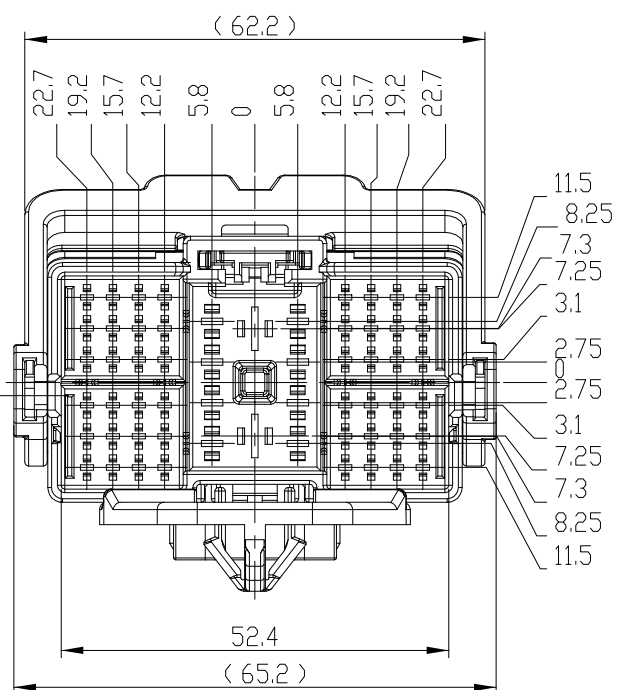


TABLE 1.

	PART NO.	Wire size(mm2)	Insulation Ø(mm)
MTIII MODIFY SPRING	964265-2	0.2_0.35	1.15_1.6
	964267-2	0.5_1.0	1.4_2.1
JPT MODIFY SPRING	2-964294-1	0.5_1.0	1.4_2.1
	2-964296-1	1.25_2.5	2.2_3.0
SPT MODIFY SPRING	② 964306-1	>1.0_2.5	2.2_3.0
	964308-1	2.5_4.0	3.3_4.5

- NOTE,
 1. GENERAL TOLERANCE : ±0.5, ±3°
 2. CONDITION OF DELIVERY : DBL PLATE IN OPEN POSITION.
 3. APPLIED REC. CONTACT P/N:SEE TABLE 1
 4. SUITABLE MATING PLUG P/N : 2005281



ASSY P/N
1-2005275-3
2005275-3

NO	FINISH/ COLOR	MATERIAL	DESCRIPTION	Q'TY
5	GRAY	PA66-GF15	58P BRACKET HSG	1
4	RED	PBT-GF15	58P CPA HSG	1
3	BLACK	PBT-GF15	58P LEVER HSG	1
2	NATURAL	PBT-GF15	58P DBL HSG	1
1	GRAY	PBT-GF15	58P CAP HSG	1

THIS DRAWING IS A CONTROLLED DOCUMENT.		DWN JY BAE																					
DIMENSIONS:		CHK KT LIM																					
TOLERANCES UNLESS OTHERWISE SPECIFIED:		APVD HG CHD		NAME																			
<table border="0"> <tr> <td>0 PLC</td> <td>±</td> <td rowspan="4">SEE NOTE</td> </tr> <tr> <td>1 PLC</td> <td>±</td> </tr> <tr> <td>2 PLC</td> <td>±</td> </tr> <tr> <td>3 PLC</td> <td>±</td> </tr> <tr> <td>4 PLC</td> <td>±</td> <td></td> </tr> <tr> <td>ANGLES</td> <td>±</td> <td></td> </tr> <tr> <td>FINISH</td> <td>±</td> <td></td> </tr> </table>		0 PLC	±	SEE NOTE	1 PLC	±	2 PLC	±	3 PLC	±	4 PLC	±		ANGLES	±		FINISH	±		PRODUCT SPEC		MTIII/JPT/SPT HYB 58P CAP ASSY	
0 PLC	±	SEE NOTE																					
1 PLC	±																						
2 PLC	±																						
3 PLC	±																						
4 PLC	±																						
ANGLES	±																						
FINISH	±																						
MATERIAL SEE NOTE		APPLICATION SPEC		SIZE																			
		WEIGHT		CAGE CODE																			
		CUSTOMER DRAWING		DRAWING NO																			
				RESTRICTED TO																			
				A3 00779 C-2005275																			
				SCALE 1:1 SHEET 1 OF 1 REV C2																			