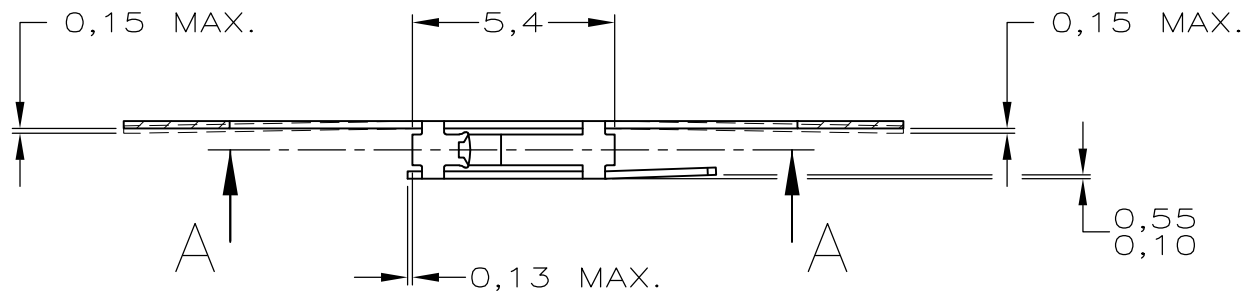


DO NOT SCALE  
DIMENSIONS IN mm

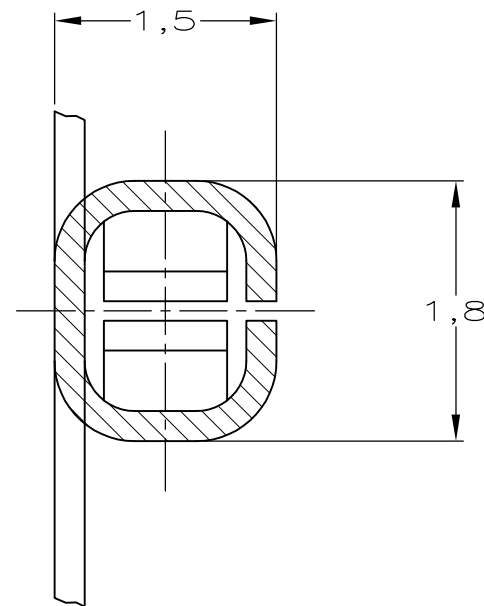
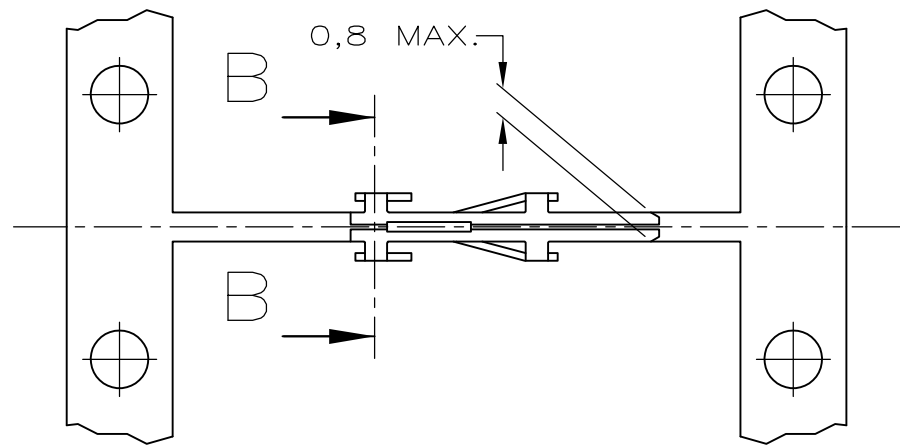
METRIC

THIRD ANGLE  
PROJECTION

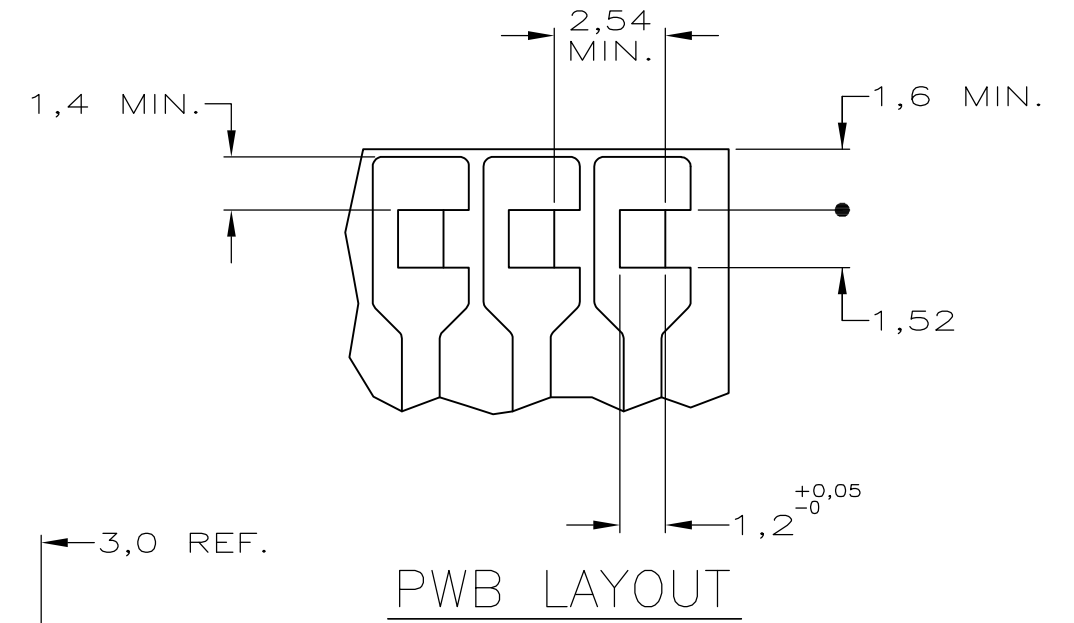


NOTES:

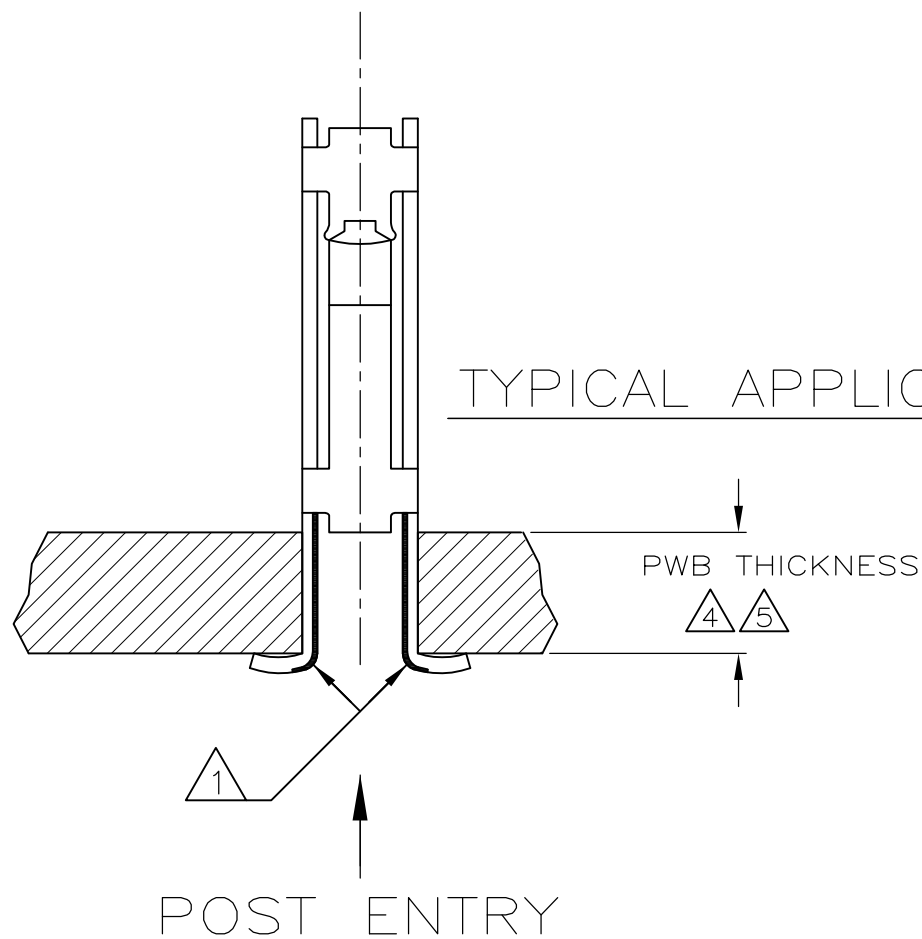
- 1 SOLDERRESIST COATING.
- 2 REELED FOR MINI APPLICATOR.
- 3 REELED FOR STANDARD APPLICATOR.
- 4 FOR PCB THICKNESS 1,6.
- 5 FOR PCB THICKNESS 1,0.
- 6 OBSOLETE PARTS: OBSOLETE CIS STREAMLINING PER D.RENAUD/D.SINISI



SECTION B-B  
SCALE 20:1



SECTION A-A



TYPICAL APPLICATION

POST ENTRY

6 OBSOLETE

					TINPLATED	PHOSPHORBRONZE	167651-4	3 5		
					TINPLATED	PHOSPHORBRONZE	167651-3	2 5		
					TINPLATED	PHOSPHORBRONZE	167651-2	3 4		
					TINPLATED	PHOSPHORBRONZE	167651-1	2 4		
					FINISH	MATERIAL	PARTNUMBER			
CUSTOMER DRAWING  FOR REFERENCE ONLY WILL NOT BE UPDATED					<b>AMP</b>   B EH-0962-00 HOLLAND 05B09-00 's-Hertogenbosch, The Netherlands.					
					THIS DRAWING IS UNPUBLISHED. RELEASED FOR PUBLICATION _____, 19____					
REV. B1 REVISD PER ECO-09-020689 KK AEG 29AUG09 DR. D.KESSLER DATE 09-01-91 B EH-0962-00 RVH 05-09-00					WIRE RANGE - INSUL. RANGE -		NAME REC. CONTACT, MOD II STRIP, SHORT POINT OF CONTACT. (TYPE A).		REV. DATE D M Y 05 09 00	
REV. LTR. ECN No. DR. DATE APP. M. v DRIEL DATE 05-09-00					SIZE A3 SHEET 1 OF 1		DWG. No. 167651		REV. LTR. B1	
REVISION RECORD										

8 7 6 5 4 3 2 1

F  
E  
D  
C  
B  
A