

Basic Characteristics Data

Model	Circuit method	Switching frequency [kHz] (reference)	Input current [A]	Inrush current protection	PCB/Pattern *3			Series/Parallel operation	
					Material	Single sided	Double sided	Series operation	Parallel operation
STMGF15	Flyback converter	445-495	*1	-	glass fabric base,epoxy resin		○	Yes	*2
STMGF30	Forward converter	380-460	*1	-	glass fabric base,epoxy resin		○	Yes	*2

*1 Refer to Specification.

*2 Refer to the Instruction Manual.

*3 MG series with the power supply unit, please refer to the basic characteristics of the MG series data.

1	Function	STMG-14
1.1	Input Voltage Range	STMG-14
1.2	Overcurrent Protection	STMG-14
1.3	Overvoltage Protection (STMGFS30/STMGFW30)	STMG-14
1.4	Isolation	STMG-14
1.5	Output Voltage Adjustment Range (STMGFS15/STMGFS30)	STMG-14
1.6	Remote ON/OFF	STMG-14
1.7	Output ripple and ripple noise	STMG-14
2	Wiring Input terminal	STMG-15
3	Input Voltage/Current Range	STMG-15
4	Series/Parallel Operation	STMG-15
4.1	Series Operation	STMG-15
4.2	Parallel Operation	STMG-15
5	Assembling and Installation	STMG-16
5.1	Installation	STMG-16
5.2	STMGFS15/STMGFW15 Derating Curve	STMG-16
5.3	STMGFS30/STMGFW30 Derating Curve	STMG-17
5.4	Warranty	STMG-18
6	Note to use $\pm 5V$ output	STMG-18
7	Options	STMG-18
7.1	Outline of Options	STMG-18

1 Functions

1.1 Input Voltage Range

- If output voltage value doesn't fall within specifications, a unit may not operate in accordance with specifications and/or fail.

1.2 Overcurrent Protection

■ Overcurrent Operation

An overcurrent protection circuit is built-in and activated at 105% of the rated current or above. It prevents the unit from short circuit and overcurrent for less than 20 seconds. The output voltage of the power supply will recover automatically if the fault causing over current is corrected.

When the output voltage drops after OCP works, the power supply enters a "hiccup mode" where it repeatedly turns on and off at a certain frequency.

STMG

1.3 Overvoltage Protection (STMGFS30/ STMGFW30)

- Over Voltage Protection (OVP) is built in. When OVP works, output voltage can be recovered by shutting down DC input for at least one second or by turning off the remote control switch for one second without shutting down the DC input. The recovery time varies according to input voltage and input capacitance.

Remarks :

Note that devices inside the power supply may fail when a voltage greater than the rated output voltage is applied from an external power supply to the output terminal of the power supply. This could happen in in-coming inspections that include OVP function test or when voltage is applied from the load circuit.

1.4 Isolation

- When you run a Hi-Pot test as receiving inspection, gradually increase the voltage to start. When you shut down, decrease the voltage gradually by using a dial. Please avoid a Hi-Pot tester with a timer because, when the timer is turned ON or OFF, it may generate a voltage a few times higher than the applied voltage.

1.5 Output Voltage Adjustment (STMGFS15/ STMGFS30)

- To increase an output voltage, turn a built-in potentiometer clockwise. To decrease the output voltage, turn it counterclockwise.
- We are offering an Option -V, which doesn't have a built-in potentiometer but instead enables you to adjust the output voltage by using an external potentiometer (please see 7 Options).

1.6 Remote ON/OFF

- The remote ON/OFF function is incorporated in the input circuit and operated with RC(+) and RC(-). If positive logic control is required, order the power supply with "-R" option.

Table 1.1 Remote ON/OFF Specifications

	ON/OFF logic	Between RC(+) and RC(-)	Output voltage
Standard	Negative	L level (0 - 1.2V) or short	ON
		H level (3 - 12V) or open	OFF
Optional -R	Positive	L level (0 - 1.2V) or short	OFF
		H level (3 - 12V) or open	ON

- When RC is at low level, a current of 1mA typ will flow out.

RC(-) terminal is connected to the -VIN internally.

- A short piece for remote ON/OFF function is installed on CN4 when power supply is shipped from factory.

Please remove the short piece on CN4 to enable remote ON/OFF function (Option -R does not come with the short piece).

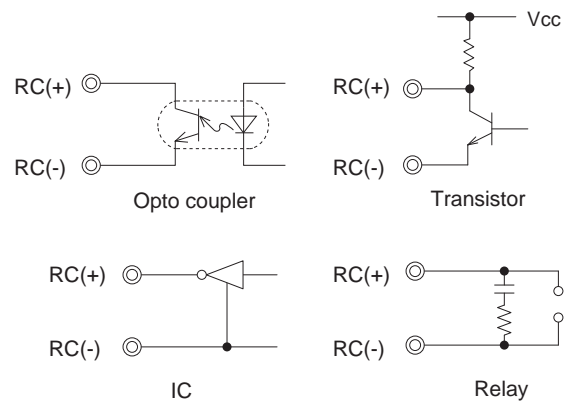


Fig1.1 Rc Connection Example

1.7 Output ripple and ripple noise

- The specified ripple and ripple noise are measured by the method introduced in Fig 1.2.

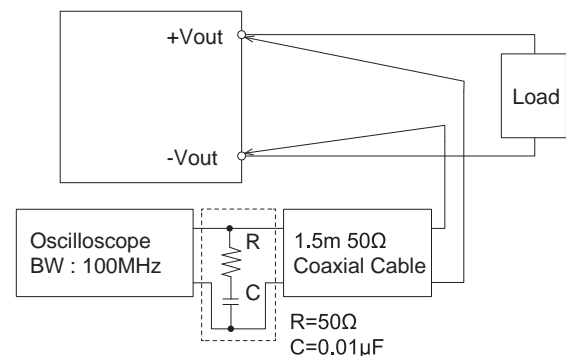


Fig1.2 Method of Measuring Output Ripple and Ripple Noise

2 Wiring Input terminal

- If the power supply is to be turned ON/OFF directly with a switch, inductance from the input line will induce a surge voltage several times that of the input voltage and it may damage the power supply. Make sure that the surge is absorbed, for example, by connecting an electrolytic capacitor between the input terminals.
- If an external filter containing L (inductance) is added to the input line or a wire from the input source to the STMG series is long, not only the reflected input noise becomes large, but also the output of the converter may become unstable. In such case, connecting C_i to the input terminal is recommended.
- If you use an aluminum electrolytic capacitor, please pay attention to the ripple current rating.

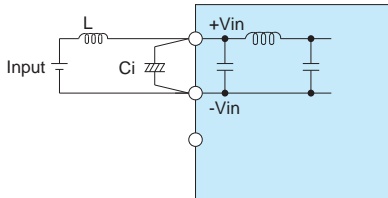


Fig.2.1 Connecting an External Capacitor to the Input Side

- If a reverse polarity voltage is applied to the input pin, the power supply will fail. If there is a possibility that a reverse polarity voltage is applied, connect a protection circuit externally as described below.

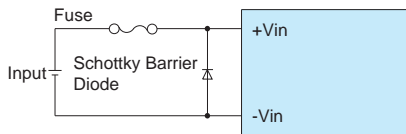


Fig.2.2 Connecting a Reverse Voltage Protection Circuit

3 Input Voltage/Current Range

- If you use a non-regulated power source for input, please check and make sure that its voltage fluctuation range and ripple voltage do not exceed the input voltage range shown in specifications.
- Please select an input power source with enough capacity, taking into consideration of the start-up current (I_p), which flows when a DC-DC converter starts up.

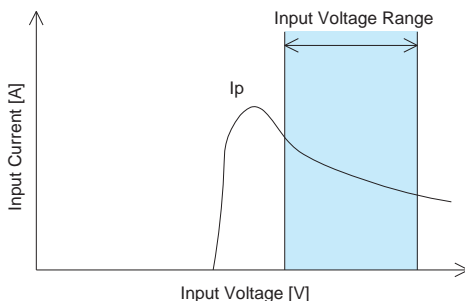


Fig.3.1 Input Current Characteristics

4 Series/Parallel Operation

4.1 Series Operation

- You can use the power supplies in series operation by wiring as shown below. In the case of (a) below, the output current should be lower than the rated current for each power supply with the lowest rated current among power supplies that are serially connected. Please make sure that no current exceeding the rated current flows into a power supply.

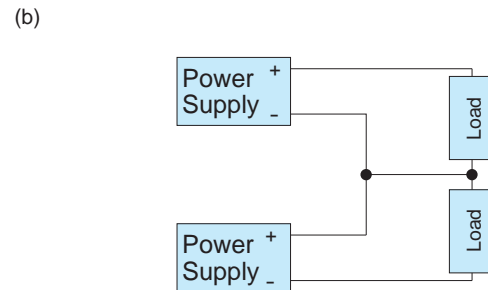
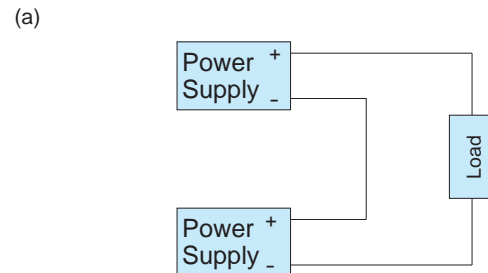


Fig.4.1 Series Operation

4.2 Parallel Operation

- Parallel operation is not possible.
- You can use the power supplies in redundancy operation by wiring as shown below.

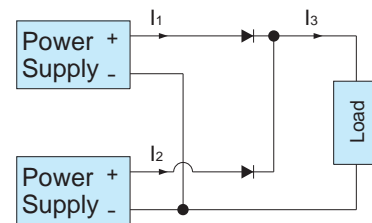


Fig.4.2 Redundancy Operation

- Even a slight difference in output voltage can affect the balance between the values of I_1 and I_2 . Please make sure that the value of I_3 does not exceed the rated current for each power supply.

$$I_3 \leq \text{Rated Current Value}$$

5 Assembling and Installation

5.1 Installation

Derating curve varies depending on the mounting direction. Refer to 5.2 (STMGFS15/STMGF15), Refer to 5.3 (STMGFS15/STMGF30).

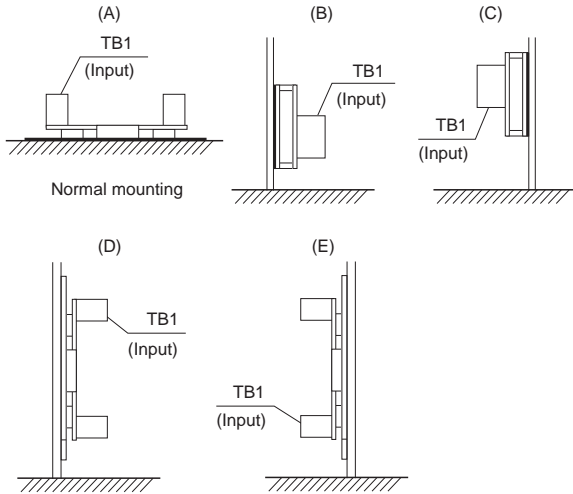


Fig.5.1 Mounting direction

- Please note that a power supply and chassis will become hot depending on mounting direction or operating condition.
- In case of metal chassis, keep the distance between $d1$ for to insulate between lead of component and metal chassis. If it is less than $d1$, insert the insulation sheet between power supply and metal chassis.

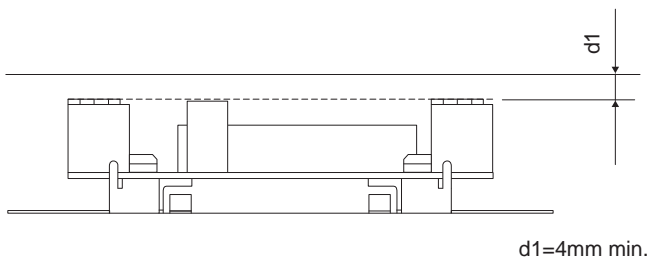


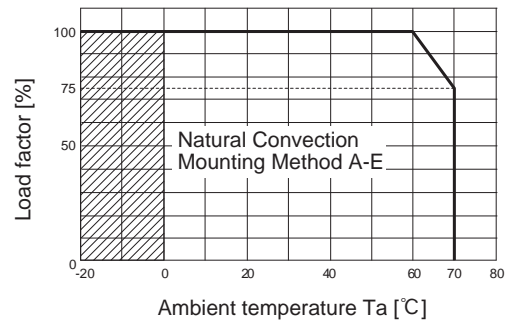
Fig.5.2 Mounting Method

5.2 STMGFS15/STMGF15 Derating Curve

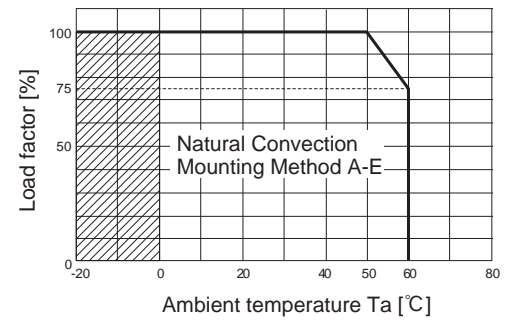
(1) In the case of Convection Cooling

If you derate the output current, you can use the unit in the temperature range from -20°C to the maximum temperature shown below.

*Specifications for ripple and ripple noise changes in the shaded area.



(1) Standard type (No Case cover type)



(2) Case cover type

Fig.5.3 STMGFS15/STMGF15 Derating Curve for Convection Cooling

(2) In the case of Forced Air Cooling

- In case of forced air cooling, please have sufficient ventilation to keep the temperature of point A in Fig.5.4 at 105°C or below. Please also make sure that the ambient temperature does not exceed the range shown in Figure 5.5.

*Specifications for ripple and ripple noise changes in the shaded area.

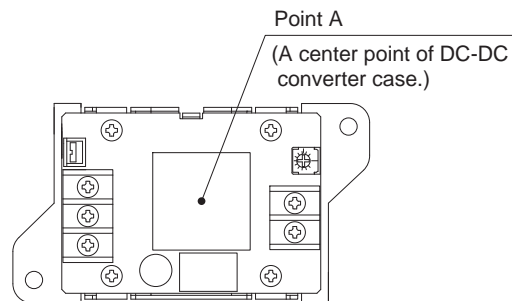
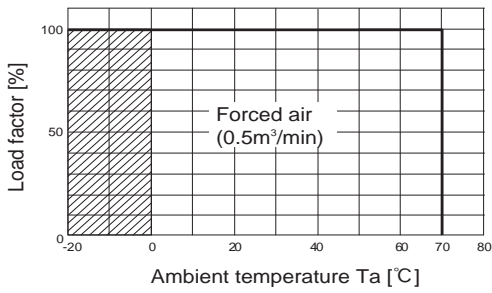
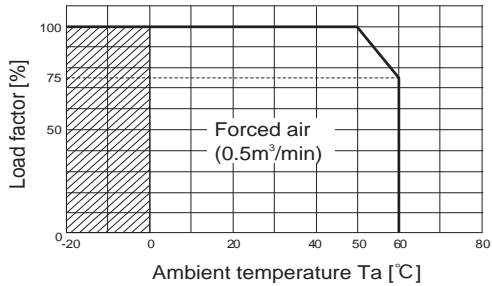


Fig.5.4 STMGFS15/STMGF15 Temperature Measuring Point



(1) Standard type (No Case cover type)



(2) Case cover type

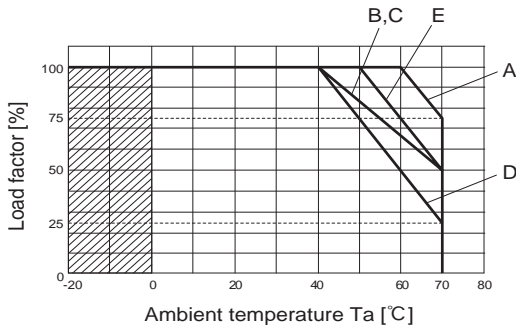
Fig.5.5 STMGFS15/STMGFW15 Derating Curve for Forced Air Cooling

5.3 STMGFS30/STMGFW30 Derating Curve

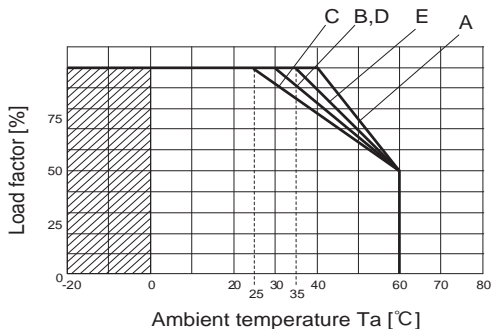
(1) In the case of Convection Cooling

■ If you derate the output current, you can use the unit in the temperature range from -20°C to the maximum temperature shown below.

* Specifications for ripple and ripple noise changes in the shaded area.



(1) Standard type (No Case cover type)



(2) Case cover type

Fig.5.6 STMGFS30/STMGFW30 Derating Curve for Convection Cooling

(2) In the case of Forced Air Cooling

■ In case of forced air cooling, please have sufficient ventilation to keep the temperature of point A in Fig.5.7 at 110°C or below.

Please also make sure that the ambient temperature does not exceed the range shown in Figure 5.8.

* Specifications for ripple and ripple noise changes in the shaded area.

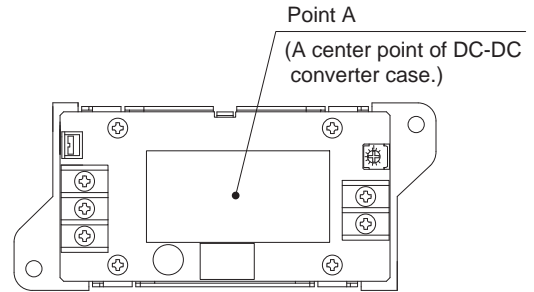
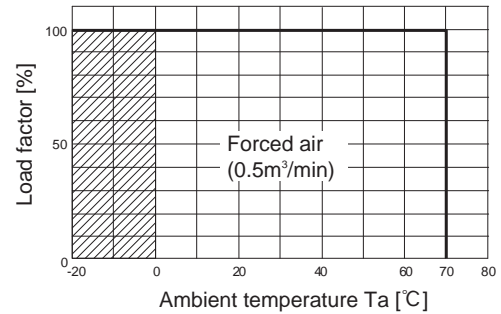
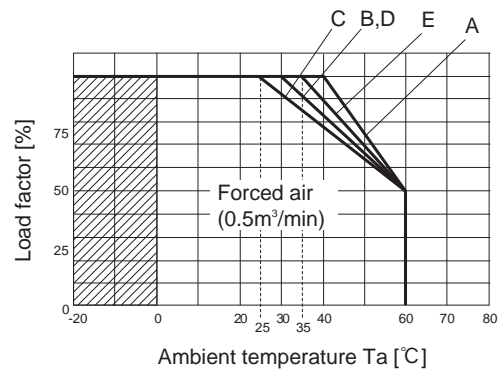


Fig.5.7 STMGFS30/STMGFW30 Temperature Measuring Point



(1) Standard type (No Case cover type)



(2) Case cover type

Fig.5.8 STMGFS30/STMGFW30 Derating Curve for Forced Air Cooling

5.4 Warranty

Table 5.1 Warranty STMGFS15/STMGFW15 Standard type (No Case cover type)

Mounting Method	Cooling Method	Average ambient temperature (year)	Warranty	
			$I_o \leq 75\%$	$75\% < I_o \leq 100\%$
A - E	Convection	Ta = 50°C or less	5years	5years
		Ta = 60°C	5years	3years
A - E	Forced air	Ta = 60°C or less	5years	5years
		Ta = 70°C	3years	3years

Table 5.2 Warranty STMGFS15/STMGFW15 Case cover type

Mounting Method	Cooling Method	Average ambient temperature (year)	Warranty	
			$I_o \leq 75\%$	$75\% < I_o \leq 100\%$
A - E	Convection	Ta = 40°C or less	5years	5years
	Forced air	Ta = 50°C	5years	3years

Table 5.3 Warranty STMGFS30/STMGFW30 Standard type (No Case cover type)

Mounting Method	Cooling Method	Average ambient temperature (year)	Warranty	
			$I_o \leq 75\%$	$75\% < I_o \leq 100\%$
A	Convection	Ta = 50°C or less	5years	5years
		Ta = 60°C	3years	3years
B, C, D	Convection	Ta = 30°C or less	5years	5years
		Ta = 40°C	5years	3years
E	Convection	Ta = 40°C or less	5years	5years
		Ta = 50°C	5years	3years
A - E	Forced air	Ta = 60°C or less	5years	5years
		Ta = 70°C	3years	3years

Table 5.4 Warranty STMGFS30/STMGFW30 Case cover type

Mounting Method	Cooling Method	Average ambient temperature (year)	Warranty	
			$I_o \leq 75\%$	$75\% < I_o \leq 100\%$
A	Convection	Ta = 30°C or less	5years	5years
	Forced air	Ta = 40°C	5years	3years
B, D	Convection	Ta = 20°C or less	5years	5years
	Forced air	Ta = 30°C	5years	3years
C	Convection	Ta = 15°C or less	5years	5years
	Forced air	Ta = 25°C	5years	3years
E	Convection	Ta = 25°C or less	5years	5years
	Forced air	Ta = 35°C	5years	3years

6 Note to use ±5V output

- If an output current is 0% to 5% of the rated current, the output is influenced by the other output load condition. 20% output voltage fluctuation may occur. To avoid the fluctuation, external bleeding resistor is required to draw sufficient current.

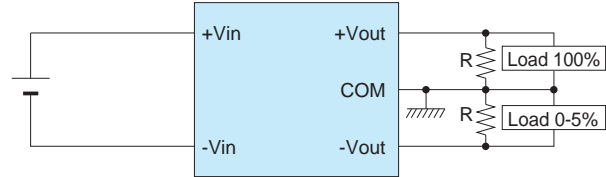


Fig.6.1 Example of decreasing the fluctuation of output voltage.

7 Options

7.1 Outline of Options

- * Please inquire us for details of specifications and delivery timing.
- * You can combine multiple options. Some options, however, cannot be combined with other options. Please contact us for details.

● -G

- Option -G units, removed the capacitor located in between input and output.

● -R

- Option -R units, a reversed logic (positive logic) for remote ON/OFF function (Refer to 1.6).

● -J

- Option -J units, the INPUT AND OUTPUT terminal block are changed to connector.
- Please do not apply more than 2.5A per 1 pin (STMGFS15/STMGFW15).
Please do not apply more than 5A per 1 pin (STMGFS30/STMGFW30).
- Ripple, ripple noise, the capacitor located within 150mm from output terminal
It is the value measured by the measuring plate provided 22μF.

● -N1

- Option -N1 units come with a cover (plastic).
- Only connector type is available in STMGFS15/STMGFW15 (Option -J).

● -N2

- Option -N2 units come with a dedicated DIN rail attachment.

● -N3

- Option -N3 units come with a cover (plastic) and DIN rail attachment.
- Only connector type is available in STMGFS15/STMGFW15 (Option -J).

● -V (STMGFS15/STMGFS30)

- Option -V units have connector (CN5) for external potentiometer instead of a built-in potentiometer.
 - The output voltage is adjustable through an external potentiometer VR. Adjust only within the range of $\pm 10\%$ of the rated voltage.
 - To increase the output voltage, turn the potentiometer clockwise and connect in such a way that the resistance value between 2 and 3 becomes small.
- To decrease the output voltage, turn the potentiometer counter-clockwise.

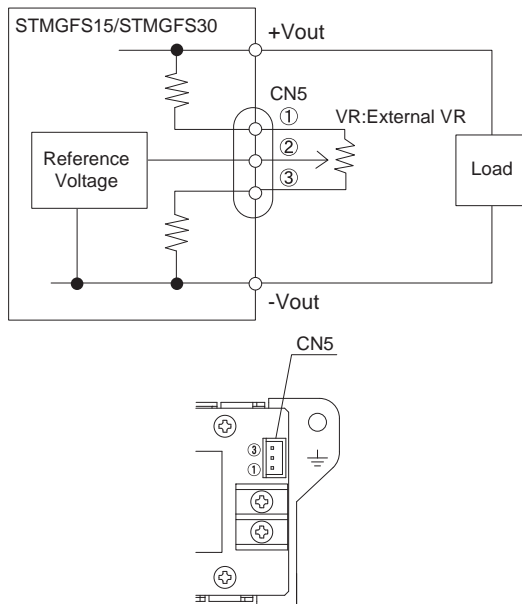


Fig.7.1 Connecting External Potentiometer

Table 7.1 List of External Potentiometer

Output Voltage	External VR
3.3V, 5V	1 [kΩ]
12V, 15V	5 [kΩ]