

5

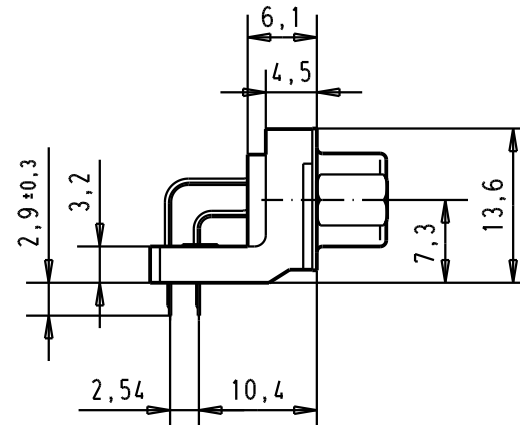
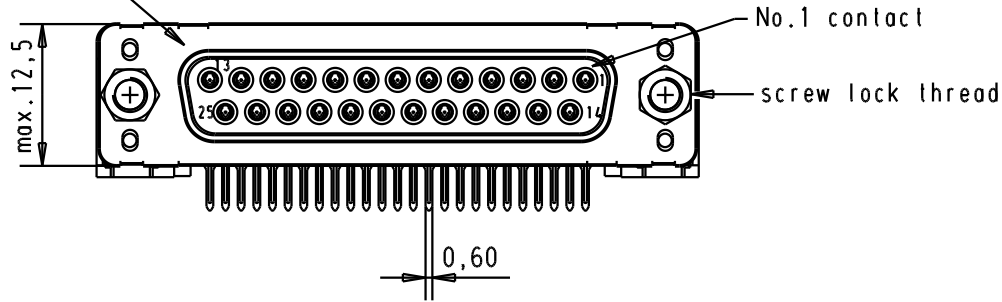
4

3

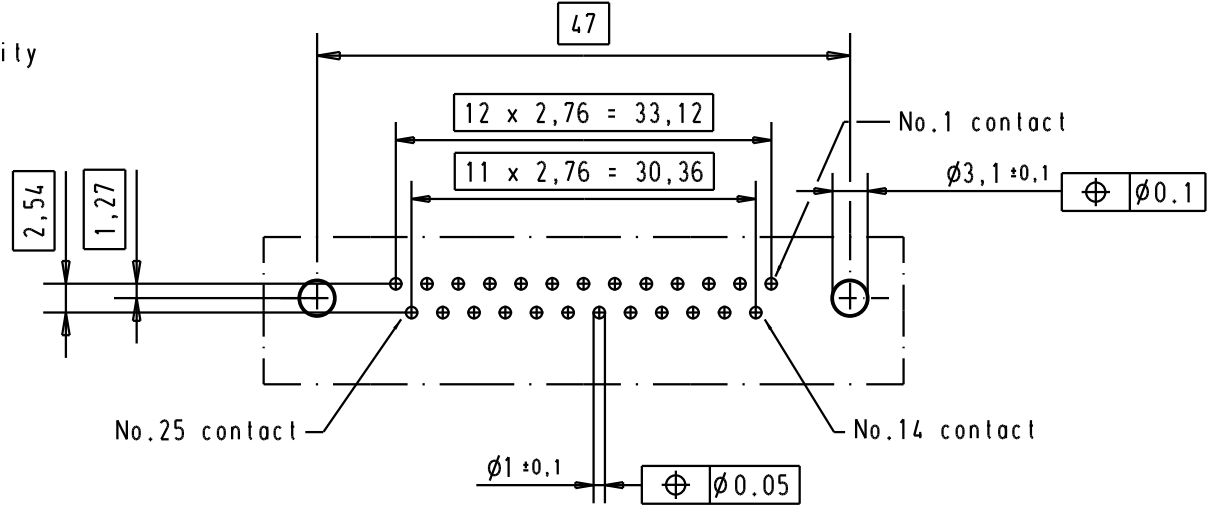
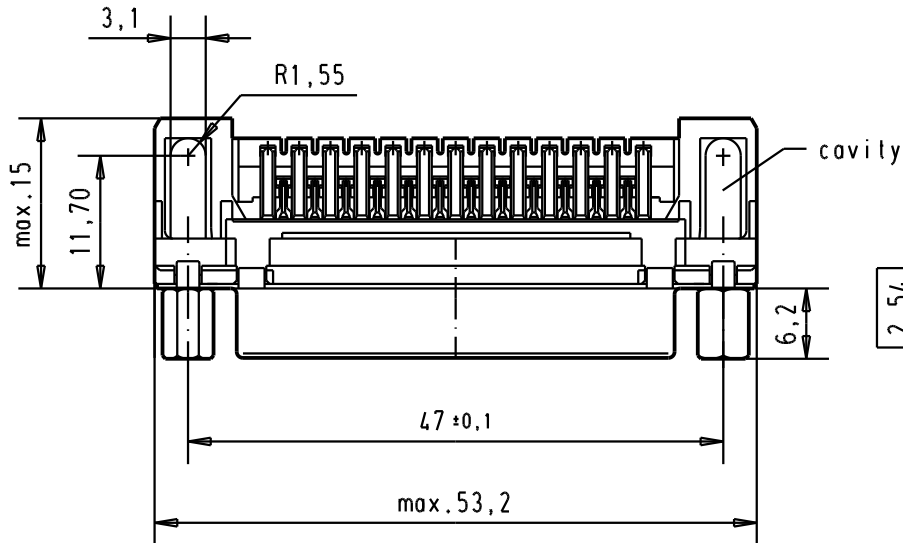
2

1

Mating face according to : MIL-C-24308 / DIN 41652 / CECC 75301-802



Printed board layout component side





D

C

B

A

						Det.	Name	 All Dim. in mm Orig. Size DIN A 4	D-Sub 25 poles standard angle female, solder pin with screw lock and hole Maßstab/Scale 1.5:1	
						Detail.	29/nov/00			ALSPACE
						Insp.				
09 66 312 3603	4-40 UNC	1	31892	05/05/04	JH	Stand.				
09 66 312 6603	4-40 UNC	2	29773	18-APR-02	CV	HARTING EURL F-95972 Paris				
09 66 312 7603	4-40 UNC	3	27960	29/nov/00	ALSPACE					
Part number	Screw lock thread	Performance level	Mod.	Dat.	Name			TB 0966312x60x Sub.	Blatt/ Page 3	