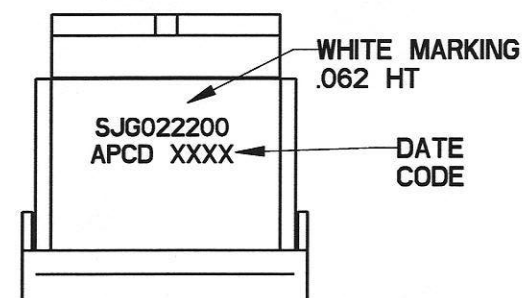
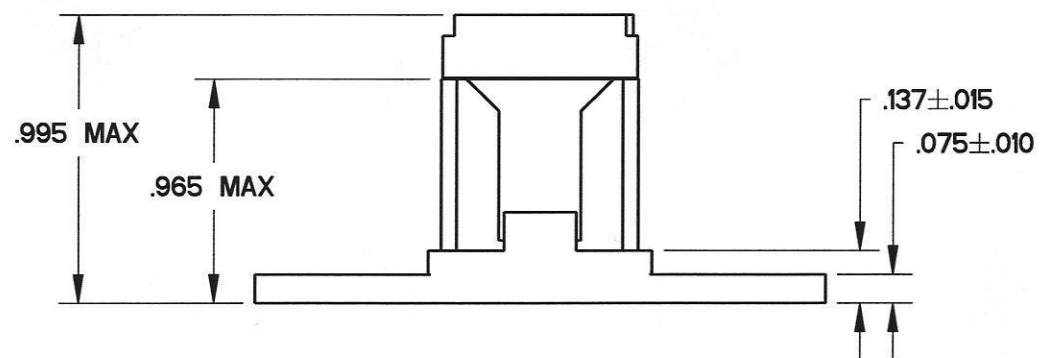
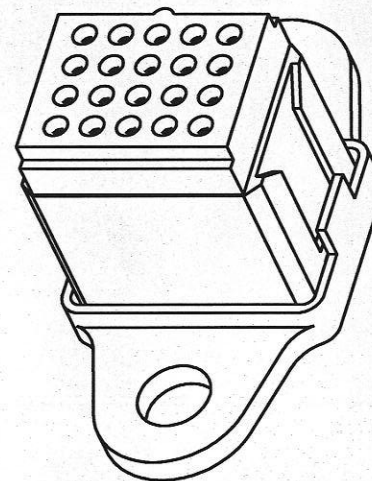
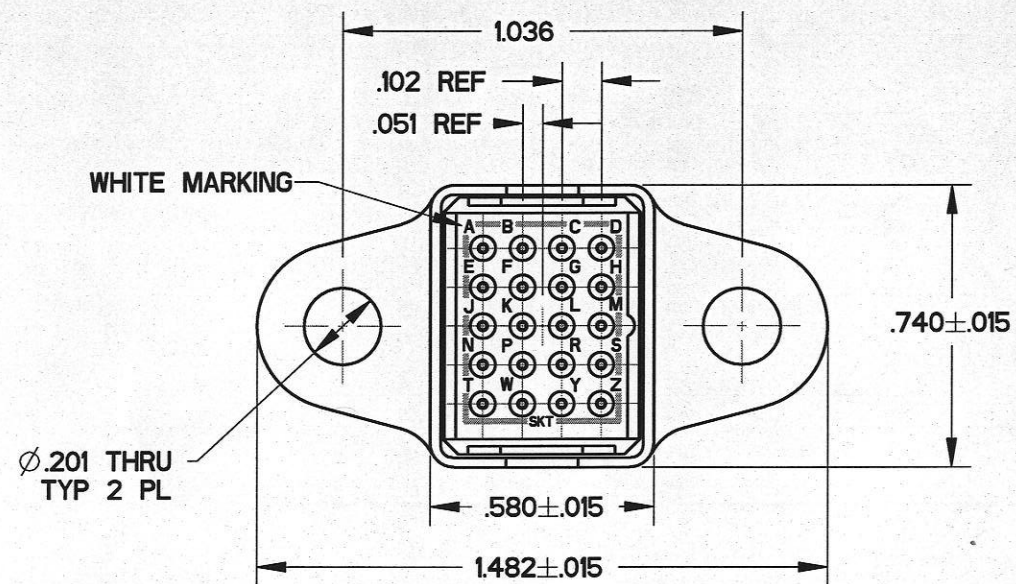


REV	ECN	APP'D
D	6024	JT 4-12-07



NOTES:

- MATERIALS:
 BODY: POLYETHERIMIDE PER ASTM-D5205.
 GROMMET: SILICONE BLEND ELASTOMER PER A-A-59588.
 CONTACT RETAINERS: STAINLESS STEEL.
 SHELL/STUD: COPPER ALLOY, TIN PER MIL-T-10727, TYPE 1
 MOUNTING HARDWARE: (SUPPLIED SEPARATELY)
 STEEL, CADMIUM FINISH PER SAE-AMS-QQ-P-416
- PERFORMANCE SPECIFICATIONS:
 MEETS ALL PERFORMANCE REQUIREMENTS OF MIL-T-81714.
- MODULE ACCEPTS M39029/22-191 CONTACTS AND
 MS27488-22-1 SEALING PLUGS. SEE TABLE
- ANTI ROTATION TAB SHALL ENTER INTO MOUNTING HOLE.

APCD P/N	SUPPLIED		MARKING
	SKTS	PLUGS	APCD PART NO.
SJG022200	21	2	SJG022200
SJG022201	-	-	

DIMENSIONS ANSI Y14.5M UNITS: INCHES Pro/E FILE	TOLERANCES .XX ±0.01 .XXX ±0.005 ANGLES ±2.0°	PROJECTION 	Amphenol Pcd SPECIFICATION DRAWING			TITLE SJG, SIZE 22, FLANGE GROUNDING MODULE TIN PLATED		
			DRWN R. SWAINE 02/15/07	ENGR 4/12/07	SIZE B	DWG NO. SJG022200	REV D	
ORIGINAL 	THIS DOCUMENT CONTAINS PROPRIETARY INFORMATION WHICH IS THE CONFIDENTIAL PROPERTY OF AMPHENOL PCD INC., PEABODY, MA			APPD 4-12-07	CODE: 58982	SCALE: 2:1	SHEET 1 OF 1	

SJG022200

SJG022200