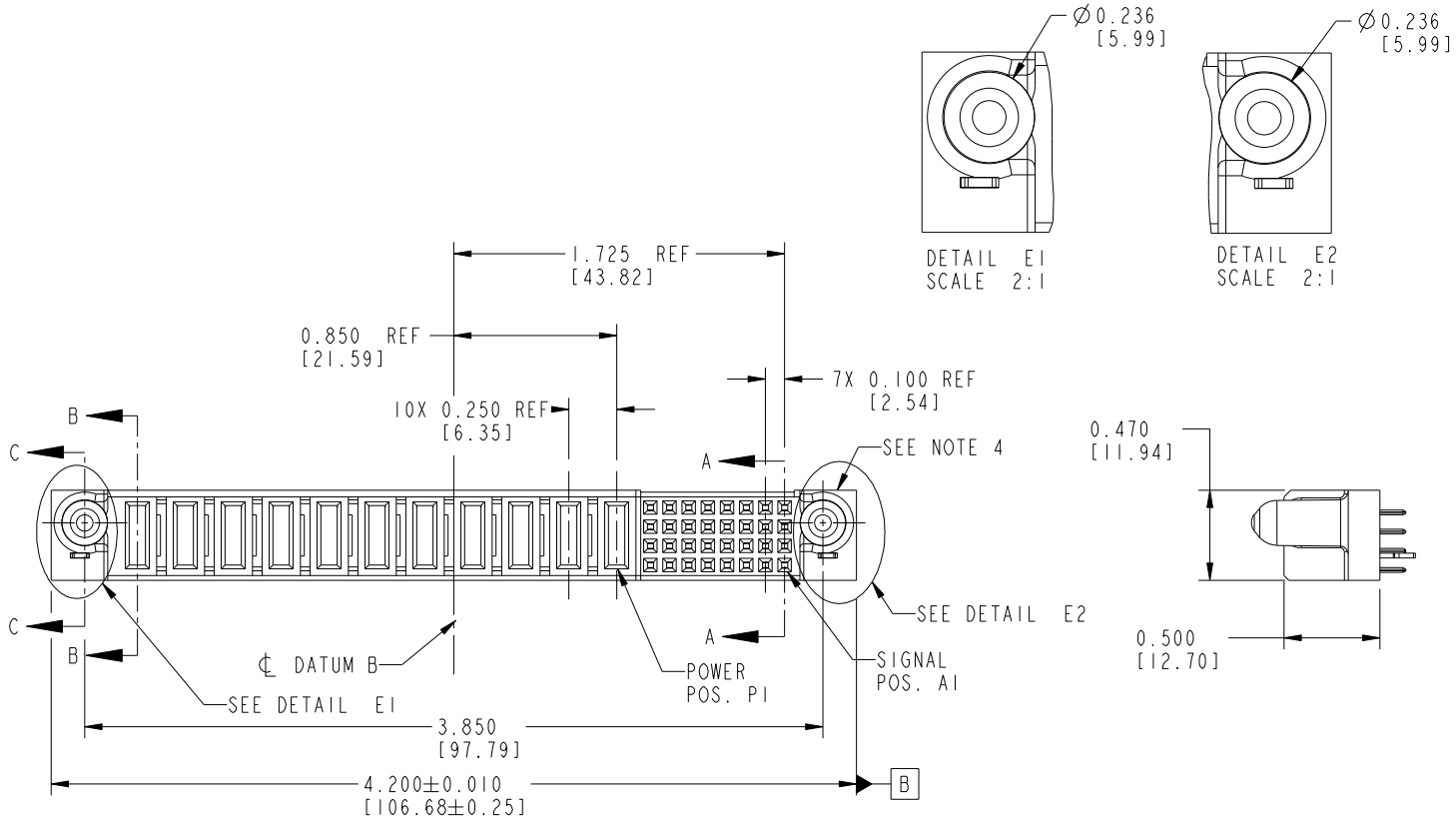


Tous droits strictement réservés. Reproduction ou communication a des tiers interdite sous quelque forme que ce soit sans autorisation écrite du propriétaire. Propriété de c FCI. Droits de reproduction FCI.

All rights strictly reserved. Reproduction or issue to third parties in any form whatever is not permitted without written authority from the proprietor. Property of FCI. Copyright FCI.



PRODUCT NO.	ROWS	POWER										SIGNAL											
		E2	P11	P10	P9	P8	P7	P6	P5	P4	P3	P2	P1	8	7	6	5	4	3	2	1	E1	
51751-007... (3)	D C B A		PD	PA	PD	PA	PD	PA	PD	PA	PD	PA	PD	PA	PD	PA	PD	PA	PD	PA	PD	PA	



CODE	DIM "M"	MATING LENGTH	CONTACT TYPE
E	N/A	[N/A]	SIGNAL
PA	0.042	[1.07]	POWER
PD	0.092	[2.34]	POWER
HA	N/A	[N/A]	HOLD-DOWN

mat'l code				SEE NOTE 2		tolerances unless otherwise specified		CUSTOMER			
ltr	ecn no.	dr	date	linear	.XX±.01/0.X±0.3	projection		COPY		www.fciconnect.com	
A	V03-0090	TAB	01/21/03		.XXX±.005/0.XX±0.13	INCH/MM		title		32S + 11P	
B	V03-0103	MEM	01/22/03	angles	.XXX±.0020/0.XXX±0.051	scale		product family		PwrBlade	
C	V03-0944	MEM	8/22/03		0°±2°	1:1		size		213	
D	V04-0915	TAB	09/17/04	dr	T. BRUNGARD 01/21/03	A		dwg no		51751-007	
E	V04-1133	TAB	12/02/04	engr	M. MOSTOLLER 01/21/03			sheet		1 of 4	
F	DG06-0367	JULIA	09/06/06	chr	M. MOSTOLLER 01/21/03			code			
				appd	M. MOSTOLLER 01/21/03						
sheet index		revision sheet		F	F	F	F				
		1 2									

B

B

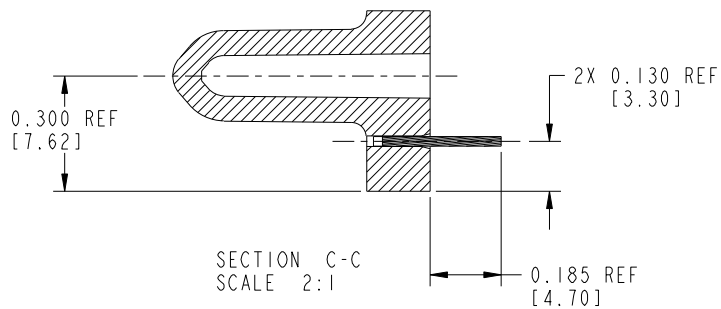
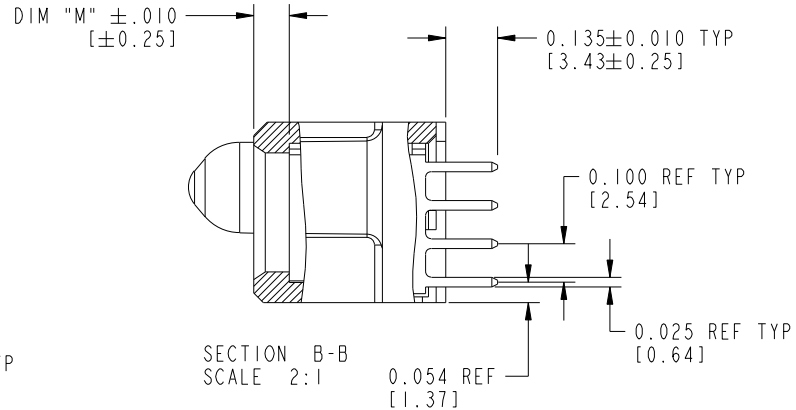
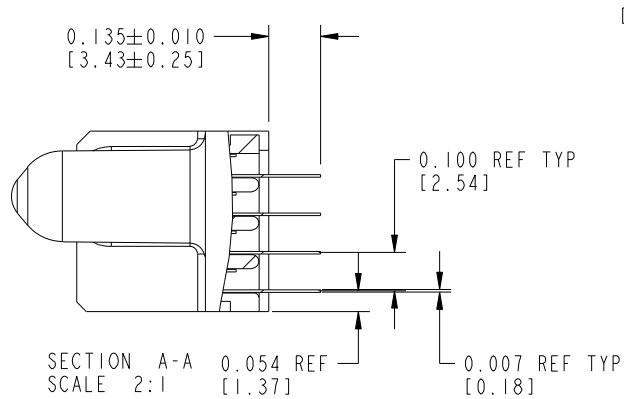
Tous droits strictement réservés. Reproduction ou communication a des tiers interdite sous quelque forme que ce soit sans autorisation écrite du propriétaire. Propriété de c FCI. Droits de reproduction FCI.

All rights strictly reserved. Reproduction or issue to third parties in any form whatever is not permitted without written authority from the proprietor. Property of FCI. Copyright FCI.



PRODUCT NUMBER

51751-007\_\_  
NOTE: 3



mat'l code		SEE NOTE 2		tolerances unless otherwise specified		CUSTOMER		FCI	
ltr	ecn no.	dr	date	linear	.XX±.01/0.X±0.3	COPY		www.fciconnect.com	
F					.XX±.005/0.XX±0.13	projection		title 32S + 11P	
				angles	.XXX±.0020/0.XXX±0.051	⊕ ↗		VERTICAL SOLDER RECEPT	
					0°±2°	INCH/MM		product family PwrBlade	
				dr	T. BRUNGARD 01/21/03	scale		code 213	
				engr	M. MOSTOLLER 01/21/03	1:1		size dwg no 2 of 4	
				chr	M. MOSTOLLER 01/21/03			sheet 2 of 4	
				appd	M. MOSTOLLER 01/21/03			A 51751-007	
sheet index	revision sheet								

Pro/E

PDM: Rev:F

STATUS: Released

Printed: Dec 20, 2010

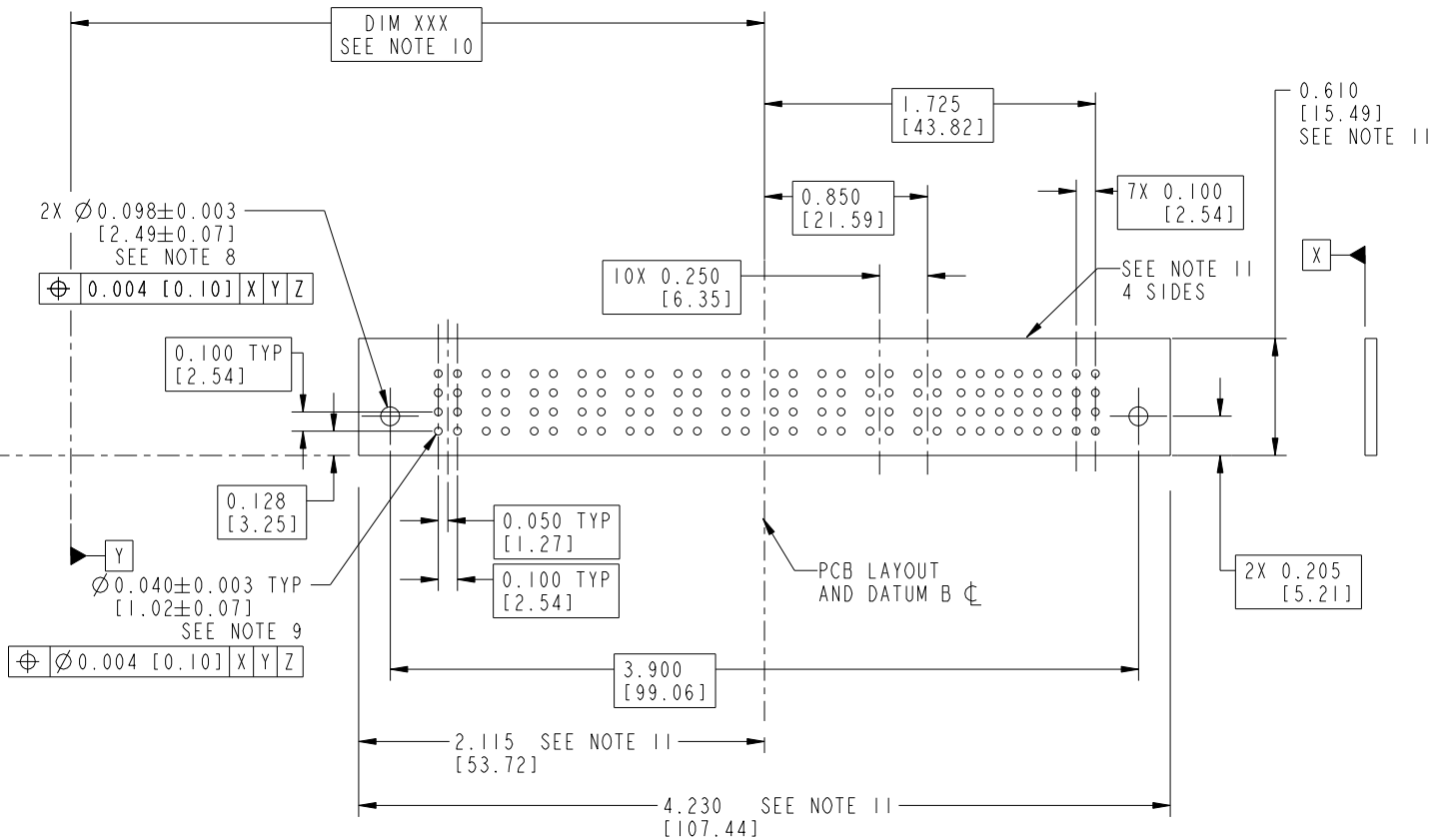
cage code 22556

Tous droits strictement réservés. Reproduction ou communication a des tiers interdite sous quelque forme que ce soit sans autorisation écrite du propriétaire. Propriété de c FCI. Droits de reproduction FCI.

All rights strictly reserved. Reproduction or issue to third parties in any form whatever is not permitted without written authority from the proprietor. Property of FCI. Copyright FCI.



PRODUCT NUMBER  
51751-007\_\_  
NOTE: 3



mat'l code		SEE NOTE 2		tolerances unless otherwise specified		CUSTOMER		FCI	
lbr	ecn no.	dr	date	linear	.XX±.01/0.X±0.3	COPY		www.fciconnect.com	
F				projection	.XXX±.005/0.XX±0.13			title 32S + IIP	
				angles	.XXX±.0020/0.XXX±0.051			VERTICAL SOLDER RECEPT	
				dr	0°±2°	INCH/MM		product family PwrBlade	
				enrg	T. BRUNGARD 01/21/03	scale		code 213	
				chr	M. MOSTOLLER 01/21/03	1:1		size dwg no 51751-007	
				appd	M. MOSTOLLER 01/21/03			sheet 3 of 4	
sheet index	revision sheet								

1 | 2

Pro/E

PDM: Rev:F

STATUS: Released

Printed: Dec 20, 2010

3 |

4

A

A

B

B

cage code 22556

4

PRODUCT NUMBER

51751-007\_\_  
NOTE: 3

NOTES:

1. DIMENSIONS AND TOLERANCES ARE IN ACCORDANCE WITH ASME Y14.5M, 1994 UNLESS OTHERWISE SPECIFIED.

CONNECTOR NOTES:

- 2 HOUSING MATERIAL: UL 94 V-0 GLASS FILLED  
HIGH-TEMP THERMOPLASTIC  
POWER CONTACT MATERIAL: COPPER ALLOY  
SIGNAL PIN MATERIAL: COPPER ALLOY
  - 3. 51751-007;51751-007LF;51751-007GLF PLATING SPEC. SEE PRINT:10064183
  - 4 MANUFACTURER'S NAME, P/N, AND DATE CODE TO APPEAR ON THIS SURFACE.
  - 5. PRODUCT SPECIFICATION GS-12-149.  
APPLICATION SPECIFICATION BUS-20-067.
  - 6. PACKAGED IN TRAYS.
- PCB NOTES:
- 7. ALL HOLE DIAMETERS ARE FINISHED HOLE SIZE.
  - 8 MOUNTING HOLES, WHERE APPLICABLE, ARE UNPLATED.
  - 9  $\varnothing .0453 \pm .0010$  [1.151 $\pm$ 0.025] DRILLED HOLES PLATED WITH .0003 [0.008] MIN SnPb OR Sn OVER .001 [0.03] TO .003 [0.08] Cu PLATING TO ACHIEVE  $\varnothing .040 \pm .003$  [1.02 $\pm$ .07] HOLE.
  - 10 "DIM XXX" TO BE DETERMINED BY THE CUSTOMER.
  - 11 CONNECTOR KEEP-OUT ZONE.

mat'l code		SEE NOTE 2		tolerances unless otherwise specified		CUSTOMER		FCJ	
lir	ecn no.	dr	date	linear	.XX $\pm$ .01/0.X $\pm$ 0.3	COPY		www.fciconnect.com	
F				projection	.XXX $\pm$ .005/0.XX $\pm$ 0.13	INCH/MM		title 32S + IIP	
				angles	.XXX $\pm$ .0020/0.XXX $\pm$ 0.051	scale		VERTICAL SOLDER RECEPT	
				dr	0 $^{\circ}$ $\pm$ 2 $^{\circ}$	1:1		product family PwrBlade	
				enrg	T. BRUNGARD 01/21/03	A		code 213	
				chr	M. MOSTOLLER 01/21/03	size		sheet	
				appd	M. MOSTOLLER 01/21/03	dwg no		4 of 4	
sheet index		revision sheet				51751-007			

Tous droits strictement réservés. Reproduction ou communication a des tiers interdite sous quelque forme que ce soit sans autorisation écrite du propriétaire. Propriete de c FCI. Droits de reproduction FCI.



All rights strictly reserved. Reproduction or issue to third parties in any form whatever is not permitted without written authority from the proprietor. Property of FCI. Copyright FCI.