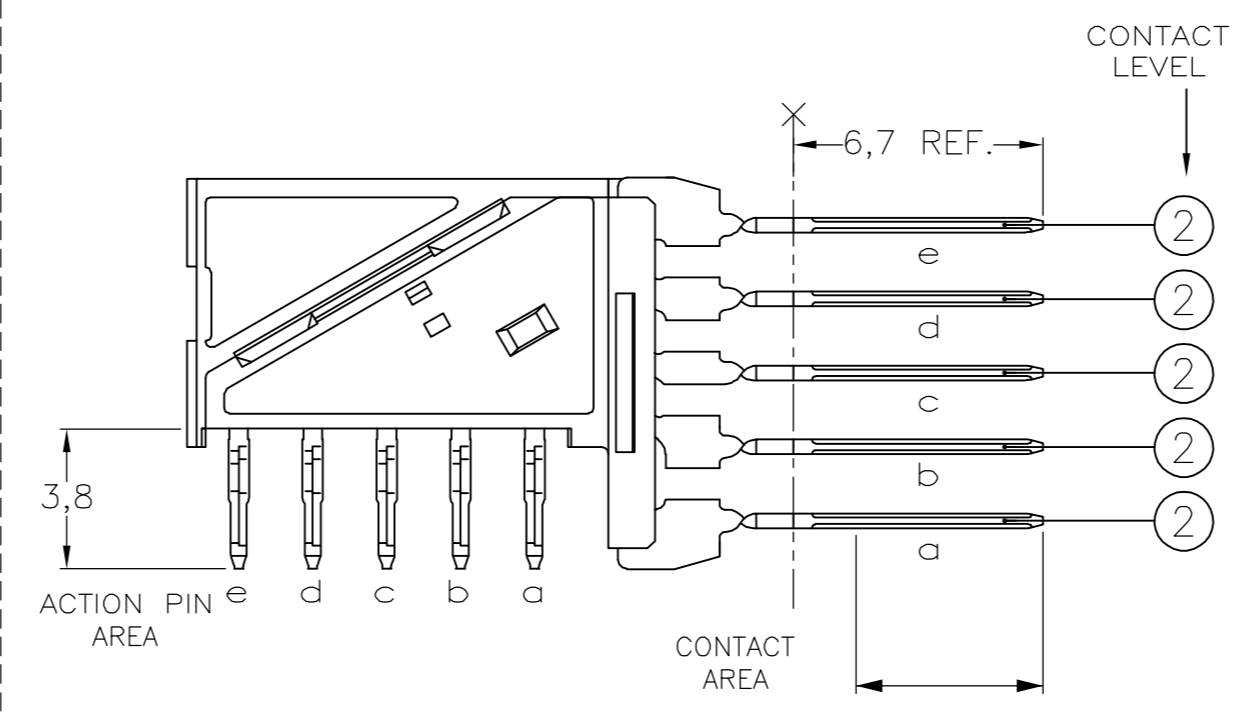
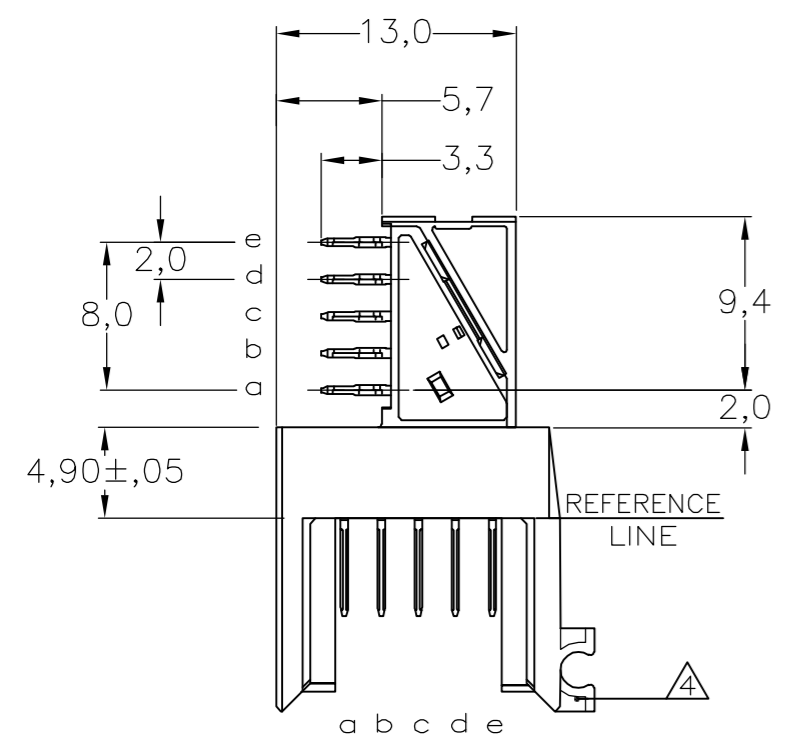


THIS DRAWING IS UNPUBLISHED. RELEASED FOR PUBLICATION
 © COPYRIGHT BY TYCO ELECTRONICS CORPORATION. ALL RIGHTS RESERVED.

LOC	DIST	REVISIONS					
		P	LTR	DESCRIPTION	DATE	DWN	APVD
H	-	C		EHC0-0195-04	29-06-04	DvdB	BM
		D		EH10-0680-05	06-06-05	BSV	BM
		D1		ECR-06-002635	07-02-06	BSV	BM

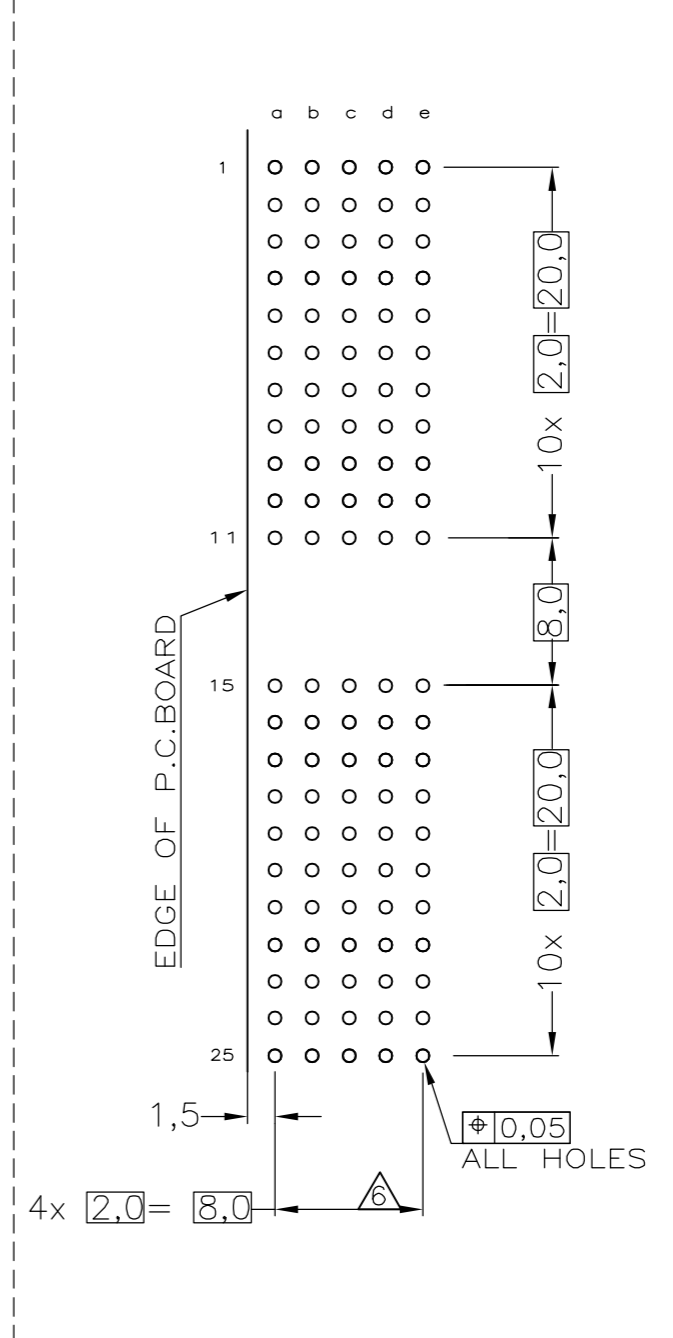
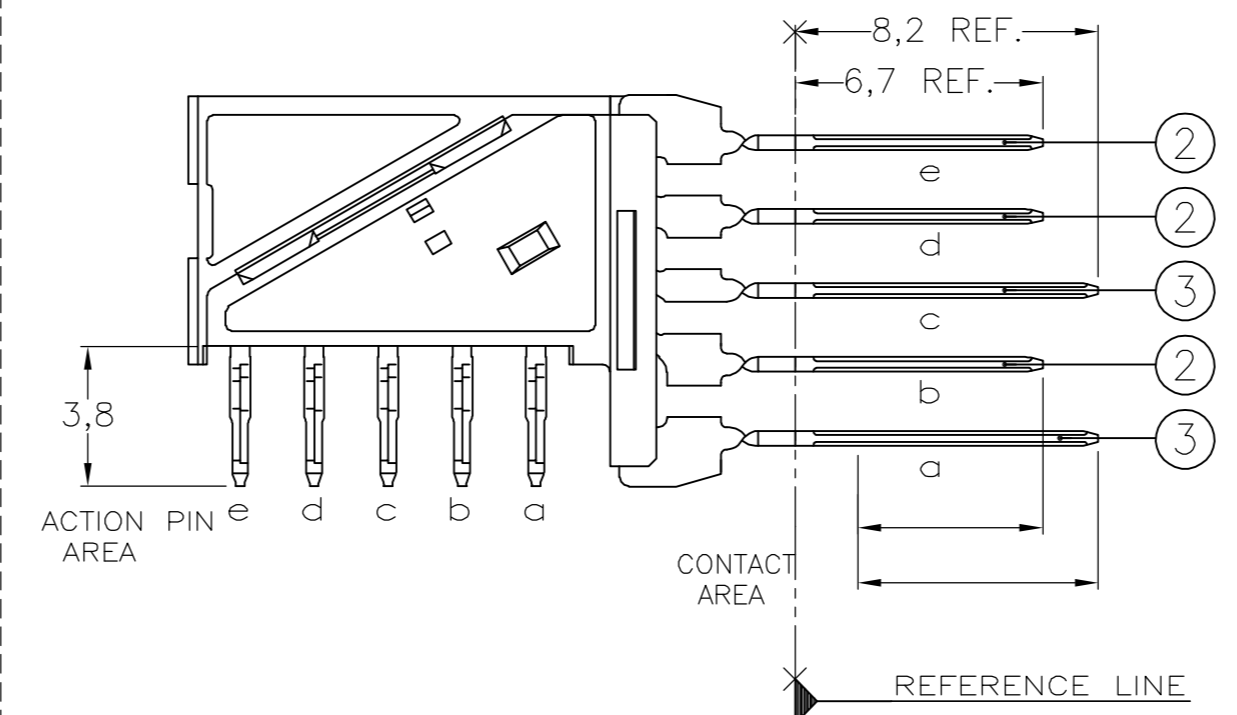
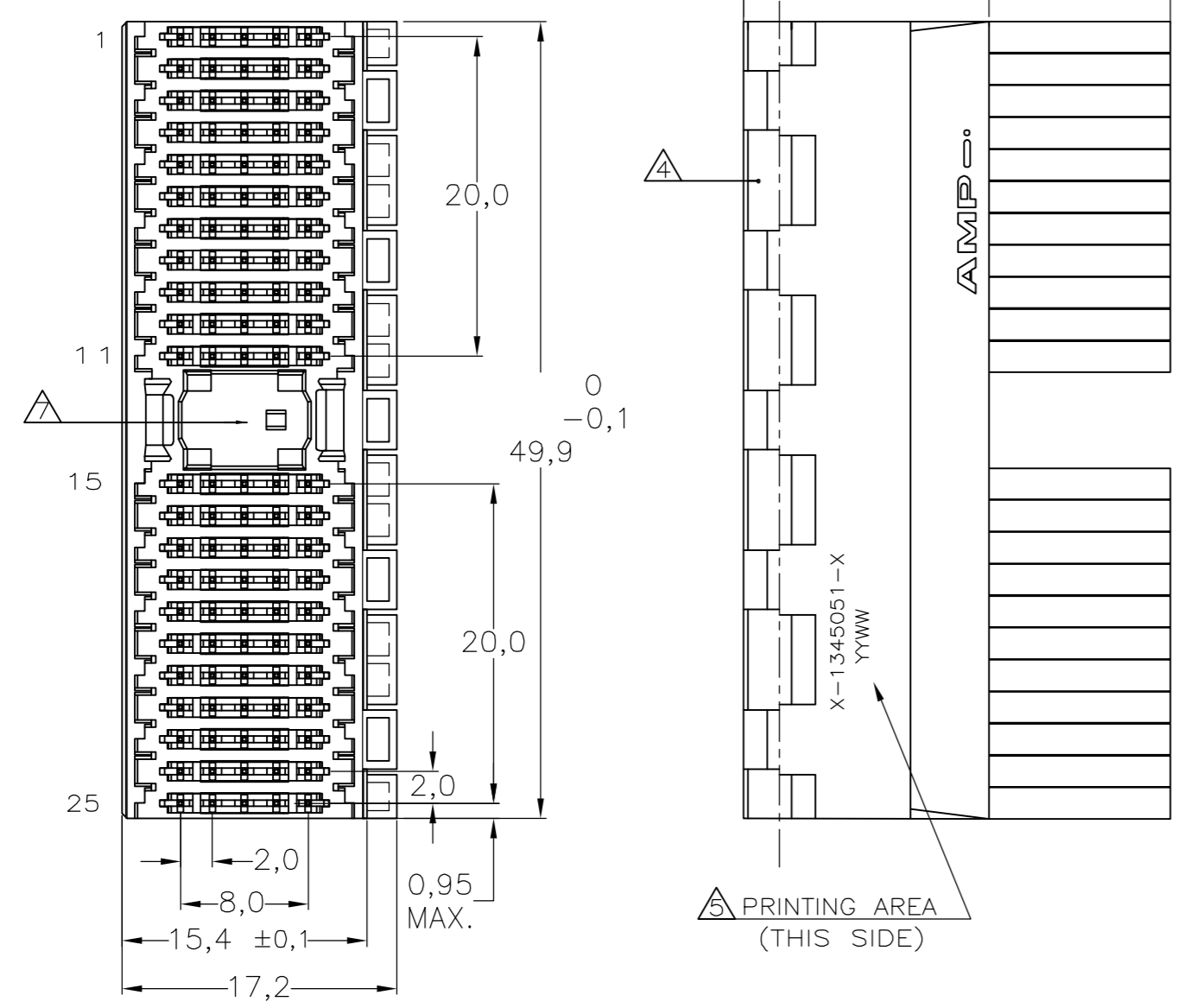
CONNECTOR ASSEMBLY EXEMPLARY LOADED

CONTACT DIMENSIONS



RECOMMENDED PCB-HOLE LAY-OUT COMPONENT SIDE SHOWN

CONTACT LAYOUT



	a	b	c	d	e
1	2	2	2	2	2
2	2	2	2	2	2
3	2	2	2	2	2
4	3	2	3	2	2
5	2	2	2	2	2
6	2	2	2	2	2
7	2	2	2	2	2
8	2	2	2	2	2
9	2	2	2	2	2
10	2	2	2	2	2
11	2	2	2	2	2
MULTI PURPOSE CENTRE					
15	2	2	2	2	2
16	2	2	2	2	2
17	2	2	2	2	2
18	2	2	2	2	2
19	2	2	2	2	2
20	2	2	2	2	2
21	2	2	2	2	2
22	2	2	2	2	2
23	2	2	2	2	2
24	3	2	3	2	2
25	2	2	2	2	2

P.C.B. HOLE DIM. ACTION PIN
FOR DETAILS SEE APPLICATION SPECIFICATION

NOTES:

- ① MATERIAL HOUSING : GREY GLASSFILLED POLYESTER
CONTACT : PHOSPHORBRONZE
- ② GENERAL PLATING SPECIFICATION: UNDERPLATING (ENTIRE CONTACT): 1,27µm NICKEL MIN. AND ACTION PIN: 0,5µm TIN-LEAD MIN. FOR PLATING OF MATING SURFACES SEE APPLICABLE SPECIFICATION REFERENCE FOR EACH DASH NUMBER.
- ③ CONFORMS TO ALL TESTING ACCORDING IEC 61076-4-101 PERFORMANCE LEVEL 2.
- ④ CONNECTOR ASSEMBLY WITH LATCH HINGE FOR CABLE CONNECTOR.
- ⑤ CONNECTOR PRINTED WITH PARTNUMBER AND DATECODE
- ⑥ PLATED-THROUGH HOLES AT 2x2mm SQUARE GRID.
- ⑦ AREA FOR KEYING PART (BASIC PART NUMBER 100525).

FINISH	MATERIAL	PARTNUMBER
① ②	①	1-1345051-1 ④
③ ④	①	1345051-1

THIS DRAWING IS A CONTROLLED DOCUMENT.		DWN 18MAY99	Tyco Electronics Corporation s-HertogenBosch, Netherlands,	
DIMENSIONS: MM		CHK D. TRUREN	NAME	
TOLERANCES UNLESS OTHERWISE SPECIFIED:		APVD F.v.KONINGSBRUGGE	PRODUCT SPEC	
0 PLC ± -		APPLICATION SPEC		
1 PLC ± -		114-19029		
2 PLC ± -		WEIGHT -		
3 PLC ± -		SIZE A2		
4 PLC ± -		CAGE CODE 00779		
ANGLES ± -		DRAWING NO C-1345051		
FINISH		RESTRICTED TO -		
-		CUSTOMER DRAWING		
		SCALE NTS		SHEET 1 OF 1
				REV D1