

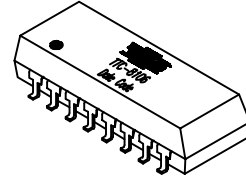
REV. Status  
PRELIMINARY  
01/09/01 LL



# 10/100 Base-T LAN Magnetic Module Single Port, 16 pin SMD

MODEL NUMBER  
**TTC-8106**

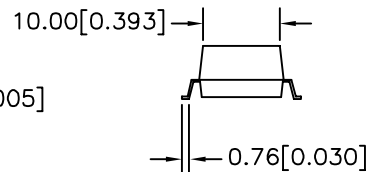
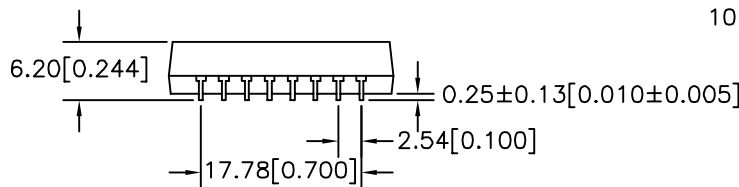
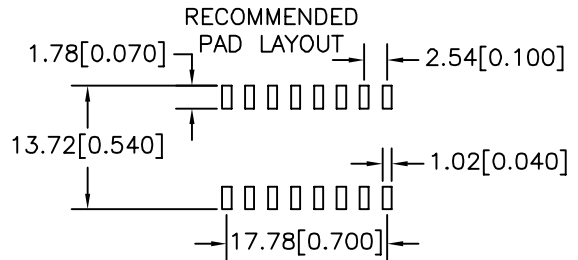
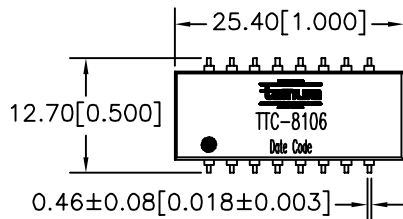
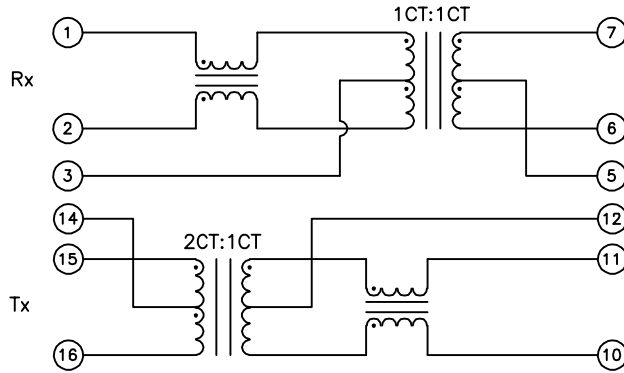
- Complies with IEEE 802.3 Standard
- Surface Mount Device withstands IR reflow profile process
- Operating temperature: 0°C to 70°C
- Enhanced Common Mode Attenuation



PRELIMINARY DRAWING

### Electrical Specification @ 25°C

Insertion Loss (dB Max)	Return Loss (dB Min)		CMRR (dB Min)	Crosstalk (dB Min)	OCL ( $\mu$ H Min)	Hipot (Vrms)	Leakage L ( $\mu$ H Max)	CWW (pF Max)
	0.1-30 MHz	60 MHz						
0.1-100 MHz	0.1-30 MHz	80 MHz	0.1-100 MHz	0.1-100 MHz	8mA DC Bias	60 sec	100KHz	100KHz
-1	-18	-14	-35	-35	350	1500	0.5	25



NOTE: Unless otherwise specified, all dimensions are mm[in] with tolerance of  $\pm 0.25[0.010]$

PREPARED BY:

D. Rund

ENGINEER:

L. Le

QUALITY CONTROL:

D. Kelley

APPROVED:

J. Coleman

DWG CONTROL NO. P-A1-12703  
ACAD\TTC\A1127031.DWG

REV PRE 10/100 Base-X LAN Magnetic Module  
Single Port, 16 pin SMD

**TAMURA CORPORATION OF AMERICA**  
43352 BUSINESS PARK DRIVE, TEMECULA, CA. 92590-6624  
(909) 699-1270 FAX 9096769482

**TTC-8106**

MODEL SPECIFICATION

DIM: mm(In) SCL: none SH: 1 OF 1

PROPRIETARY NOTICE: THIS DRAWING PRINT OR DOCUMENT AND SUBJECT MATTER DISCLOSED HEREIN ARE PROPRIETARY ITEMS TO WHICH TAMURA RETAINS THE EXCLUSIVE RIGHT OF DISSEMINATION, REPRODUCTION, MANUFACTURE AND SALE. THIS DRAWING, PRINT OR DOCUMENT IS SUBMITTED IN CONFIDENCE FOR CONSIDERATION BY THE RECIPIENT ALONE UNLESS PERMISSION FOR FURTHER DISCLOSURE IS EXPRESSLY GRANTED IN WRITING.