

THIS DRAWING IS UNPUBLISHED.

RELEASED FOR PUBLICATION

ALL RIGHTS RESERVED.

© COPYRIGHT - By -

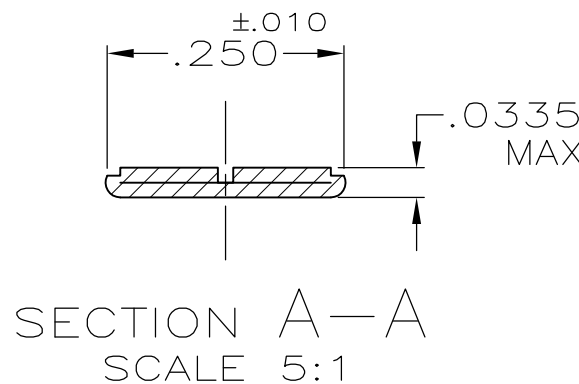
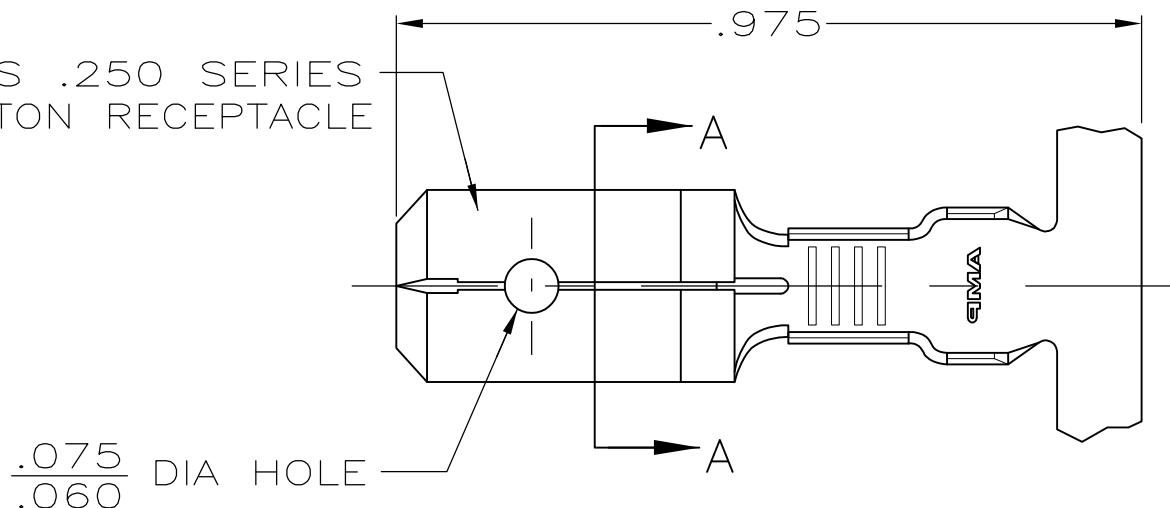
LOC
AF

DIST
50

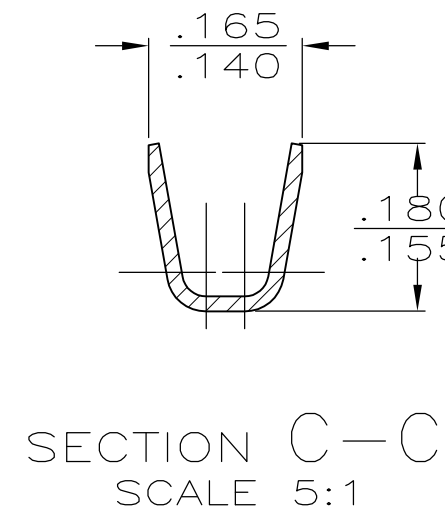
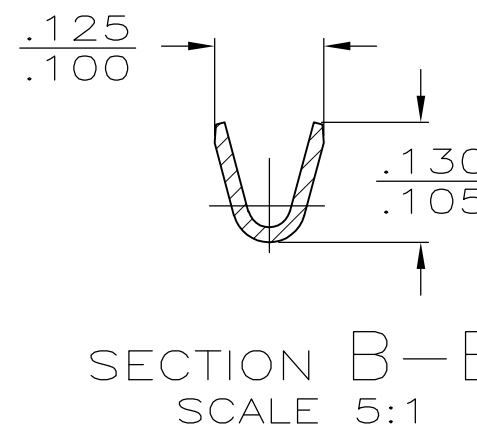
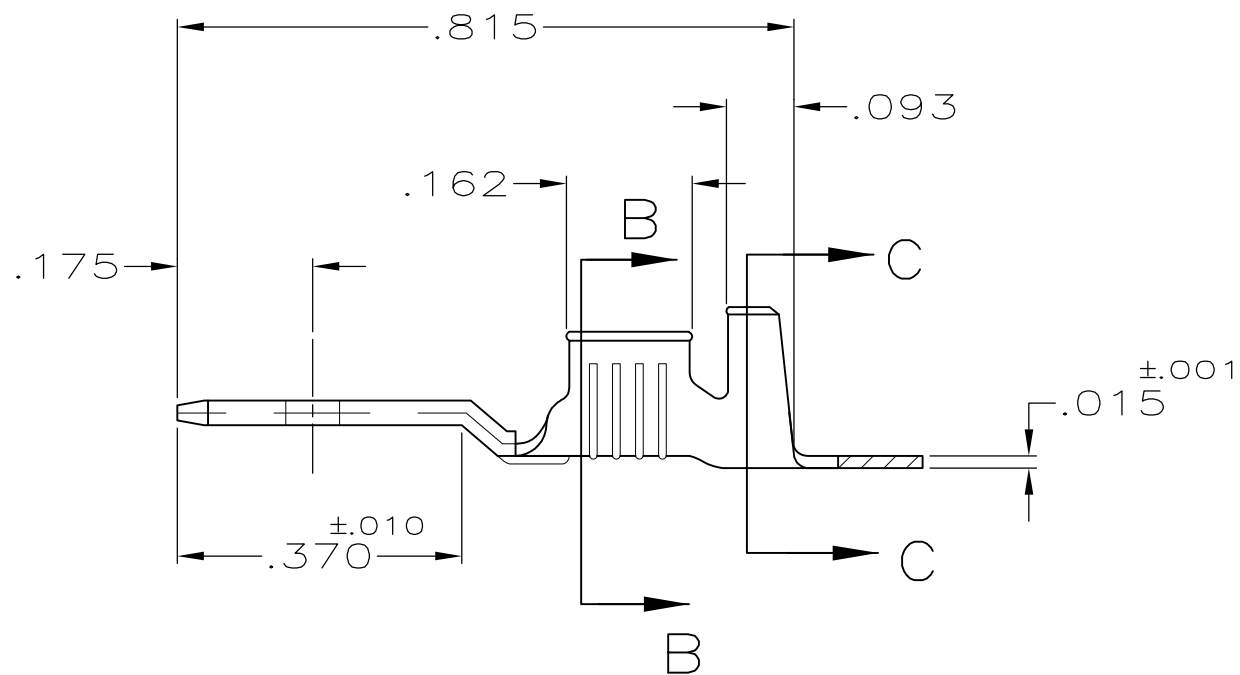
REVISIONS

| P | LTR | DESCRIPTION | DATE | DWN | APVD |
|---|-----|---------------------------|---------|-----|------|
| | H1 | REVISED PER ECO-11-004820 | 11MAR11 | RK | HMR |

FITS .250 SERIES FASTON RECEPTACLE



1. CONTINUOUS STRIP ON REELS.
2. FEED TO BE $.540 \pm .005$
3. REVERSED REEL OF 42475-1.
4. REVERSED REEL OF 42475-2.
5. FOREIGN PRODUCTION ONLY.



| FINISH | INSULATION RANGE | WIRE SIZE | PART NO |
|--------|------------------|-----------|---------|
| 4 TIN | .080-.120 DIA | 22-18 AWG | 42475-4 |
| 3 - | | | 42475-3 |
| 5 TIN | | | 42475-2 |
| 5 - | | | 42475-1 |

| | | | | | | | | | | | | | | | | | | |
|---|--------|-----------------------------|-------------------------------------|-----------------|------------------|-------|-----|-------|--------|-------|-----|--------|-----|-------------------|------------|--------------------|-----------------------|--------------------|
| THIS DRAWING IS A CONTROLLED DOCUMENT. | | DWN JR RUTH 1/31/91 | STE TE Connectivity | | | | | | | | | | | | | | | |
| DIMENSIONS: INCHES | | CHK MS FEHER 1/31/91 | | | | | | | | | | | | | | | | |
| TOLERANCES UNLESS OTHERWISE SPECIFIED: | | APVD C MEYERS 1/31/91 | NAME TAB, FASTON, .250 SERIES | | | | | | | | | | | | | | | |
| <table border="0"> <tr><td>0 PLC</td><td>± -</td></tr> <tr><td>1 PLC</td><td>± -</td></tr> <tr><td>2 PLC</td><td>± -</td></tr> <tr><td>3 PLC</td><td>± .015</td></tr> <tr><td>4 PLC</td><td>± -</td></tr> <tr><td>ANGLES</td><td>± -</td></tr> </table> | | 0 PLC | ± - | 1 PLC | ± - | 2 PLC | ± - | 3 PLC | ± .015 | 4 PLC | ± - | ANGLES | ± - | PRODUCT SPEC - | SIZE A3 | CAGE CODE 00779 | DRAWING NO C-42475 | RESTRICTED TO - |
| 0 PLC | ± - | | | | | | | | | | | | | | | | | |
| 1 PLC | ± - | | | | | | | | | | | | | | | | | |
| 2 PLC | ± - | | | | | | | | | | | | | | | | | |
| 3 PLC | ± .015 | | | | | | | | | | | | | | | | | |
| 4 PLC | ± - | | | | | | | | | | | | | | | | | |
| ANGLES | ± - | | | | | | | | | | | | | | | | | |
| MATERIAL #2H BRASS | | FINISH SEE TABLE | WEIGHT - | | CUSTOMER DRAWING | | | | | | | | | | | | | |
| | | | SCALE 4:1 | SHEET 1 OF 1 | REV H1 | | | | | | | | | | | | | |