

4

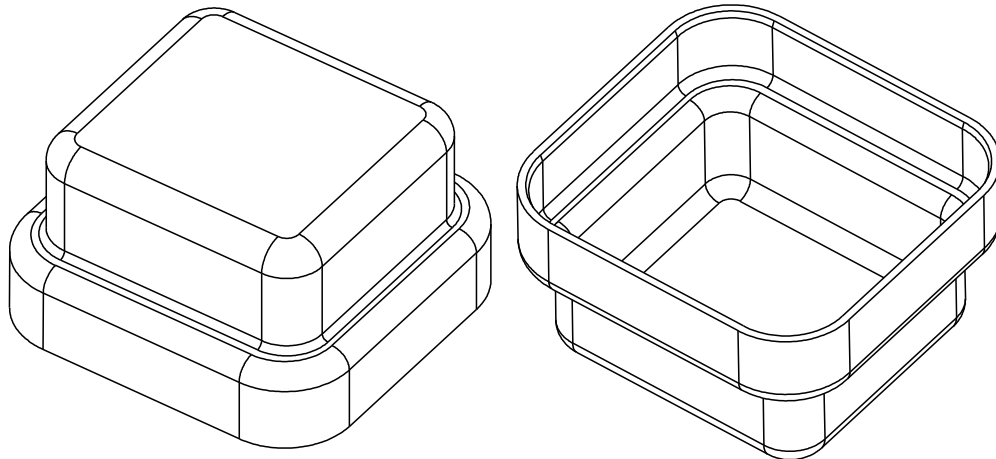
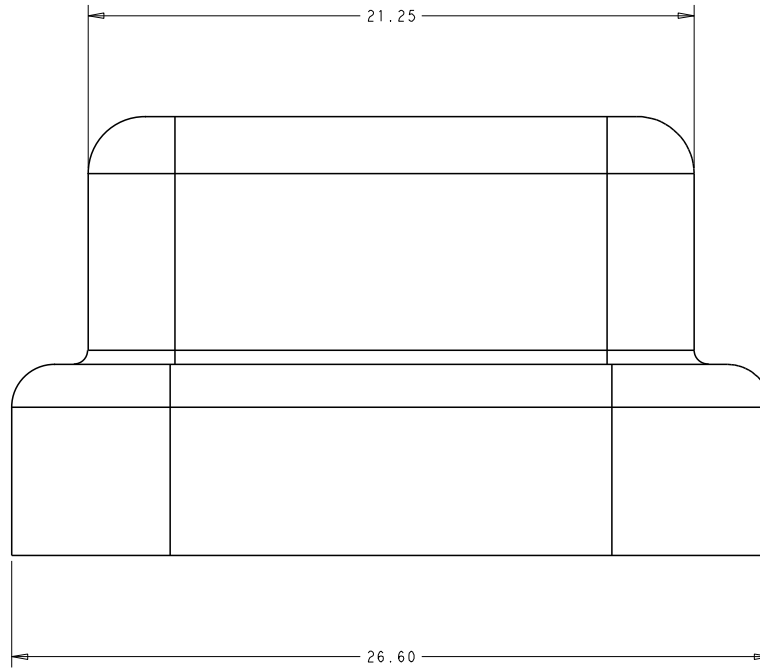
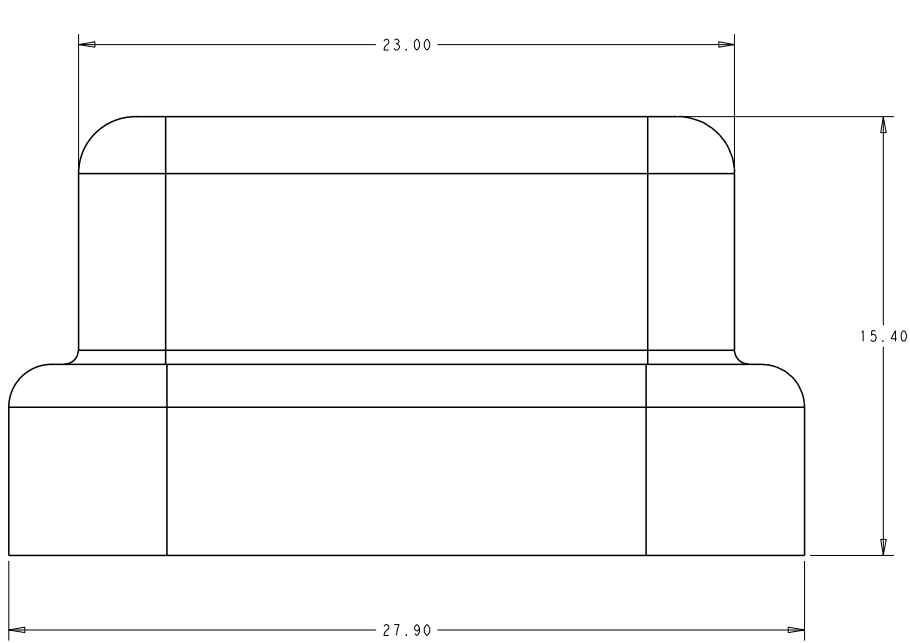
3

2

1

THIS DRAWING IS UNPUBLISHED. RELEASED FOR PUBLICATION 20
 © COPYRIGHT 20 BY - ALL RIGHTS RESERVED.

REVISIONS				
P	LYR	DESCRIPTION	DATE	DWN APVD
A		INITIAL RELEASED	12JUN2015	W. N/X. X



NOTES
 1 MATERIAL: FLEXIBLE PVC, COLOR: BLACK.
 2 2° MAX. DRAFT ANGLE EXCEPT SPECIFIED.
 3 COMPLY WITH DIRECTIVE 2002/95/EC (ROHS)

THIS DRAWING IS A CONTROLLED DOCUMENT.		DWN	19MAY2015	P/N		2271284-1	
		CHK	Ning Wang Kobby Zhao			TE Connectivity	
		APVD	Xiang Xu				
DIMENSIONS:		TOLERANCES UNLESS OTHERWISE SPECIFIED:		NAME		CUSTOMER DRAWING FOR MMC DUST CAP	
mm		D PLC ±		PRODUCT SPEC		RESTRICTED TO	
		1 PLC ±0.5		108-137039		-	
		2 PLC ±0.3		APPLICATION SPEC		-	
		3 PLC ±		114-137039		-	
		4 PLC ±		WEIGHT		-	
		ANGLES ±		CUSTOMER DRAWING		-	
		FINISH -		SCALE		2:1	
		-		SHEET		1 of 1	
				REV		A	