

6

5

4

3

2

1

DRWG. NO. CD-1906

PART NUMBERS ARE FOR LOOSE PIECE TO ORDER PARTS ON TAPE ADD A "T" TO END OF PART NUMBER

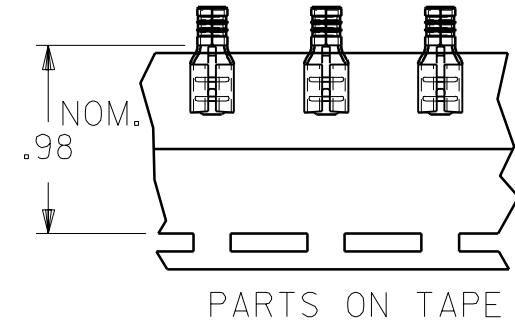
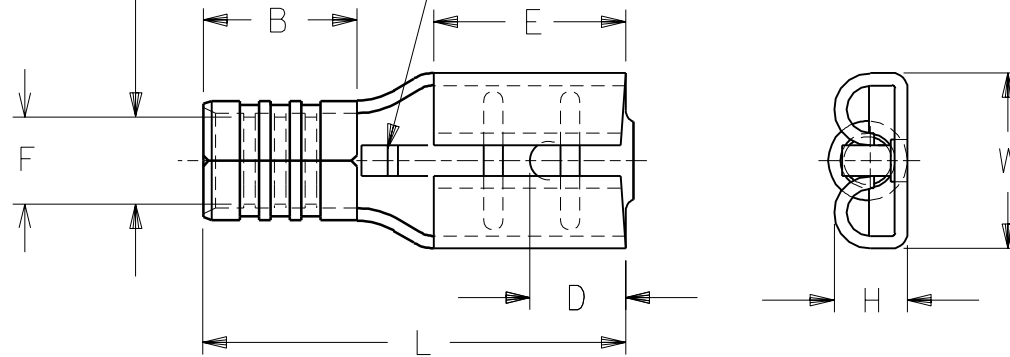
D

PART NUMBER	WIRE RANGE AWG	FITS MALE TAB SIZE MM <sup>2</sup>	STOCK THICK.	"L" MAX.	"B" ±.01	"W" MAX.	"D" ±.01	"H" ±.01	"E" NOM.	"F" MIN	
BB-1141	16-14	1.0-2.6	.250x.032	.016	.66	.190	.30	.156	.103	.31	∅.084

D

WIRE RANGE

WIRE STOP



MATERIAL: BRASS  
FINISH: ELECTRO-TIN PLATING

A	RELEASE OF NEW CUSTOMER DWG ETC70766 3/25 EDB
LTR.	REVISIONS

DIMENSIONS SHOWN (METRIC) INCH

UNLESS OTHERWISE SPECIFIED  
TOLERANCES: ANGULAR ± 1/2°

	INCH	METRIC
3 PLACE	± .005	± ---
2 PLACE	± .01	± 0.13
1 PLACE	± ---	± 0.25

DRAFT WHERE APPLICABLE MUST  
REMAIN WITHIN DIMENSIONS

DRWG. BY	EDB	CHK'D. BY	RWD
APP'D. BY	RWD	SCALE	:

REVISE ONLY ON CAD SYSTEM

TITLE

KRIMPTITE  
QUICK DISCONNECT  
BB-1141 16-14 AWG

**molex ETC INC.**  
PINELLAS PARK, FLA. 33781 U.S.A.

SHEET NO.	DATE
	97 / 3/24

PART NO.	DRWG. NO.
BB-1141	CD-1906

FILE NAME
CD1906 CST

THIS DRAWING CONTAINS INFORMATION THAT IS PROPRIETARY TO  
MOLEX-ETC INC. AND SHOULD NOT BE USED WITHOUT WRITTEN PERMISSION.

DIV.	SIZE
	A

6

5

4

3

2

1

A