

PRODUCT NUMBER	PITCH
KKxx61x200J0G	10.16 mm

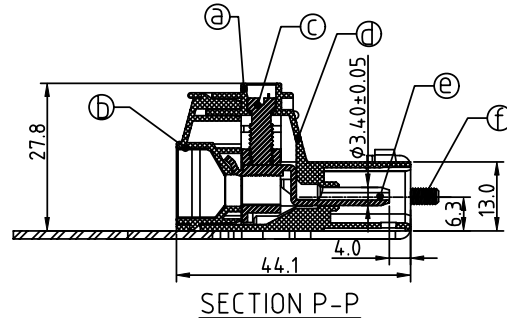
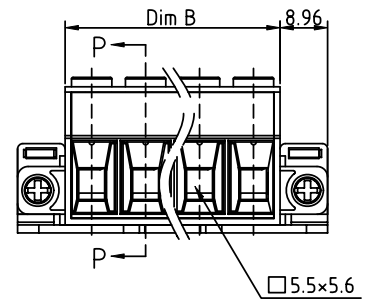
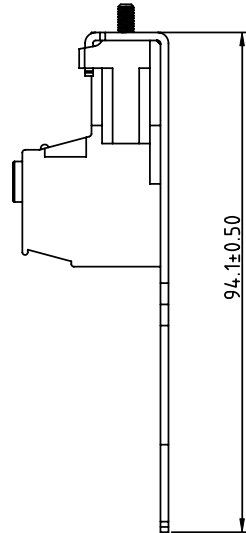
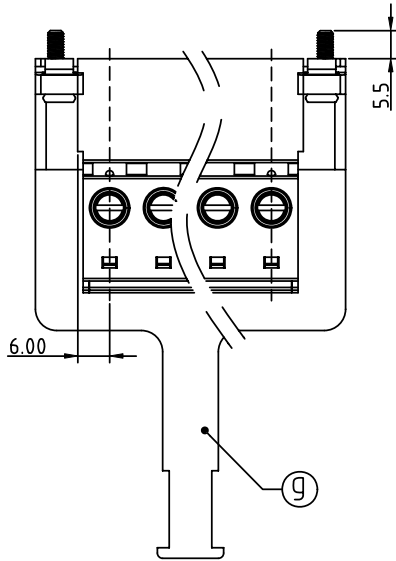
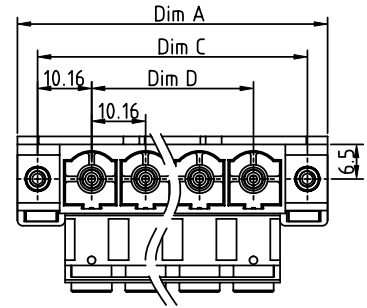
N=Number of poles

Dim A	$N \times 10.16 + 17.76$
Dim B	$N \times 10.16 - 0.16$
Dim C	$(N-1) \times 10.16 + 20.32$
Dim D	$(N-1) \times 10.16$

Poles	Tolerance
3P	±0.25
4P	

PART NO.: KK xx 61 x 2 00J0 G

Solid block	No. of poles	Color	RoHS compliant (lead<4%) In copper Alloy
0	2	Black (RAL9005)	
03	3 poles	Red (RAL3001/D)	
04	4 poles	Orange(RAL2011/P)	
		4 Yellow(RAL1018/A)	
		5 Green(RAL6018/T)	
		6 Blue (RAL5015/A)	
		8 Grey(RAL7035/D)	
		9 White(RAL1102)	
		C Green(RAL6018/U)	



Material:

- Item a Terminal body:Thermoplastic (UL94V-0)
- Item b Terminal cover:Thermoplastic (UL94V-0)
- Item c Terminal screw:Steel Zinc plating "-" slot type
- Item d Clamp:Brass, Ni plated
- Item e Pin:Copper Gold plated
- Item f With flange screw:Steel Zinc plating M3"+/-"combination type
- Item g With flange shaft :Steel Zinc plating

Electrical cULus

- Voltage rating: 300VAC
- Current rating: 55A
- Solid wire: 6-20
- Stranded wire: 6-20
- Torque: 18 Lb-In
- Screw: M4.5
- Wire strip length: 13-14mm
- Withstanding Voltage: 1.6KV
- Operating temperature: -40°C to +115°C
- Safety Approval:

mat'l. code		surface ASME Y14.5	tolerance ASME Y14.5	projection	product family
ltr ecn no dr date		tolerances unless otherwise specified			TERMINAL BLOCK
		angles	X.±0.5	MM	title
		X*±1"	X.X±0.3		TERMINAL BLOCK
			X.XX±0.1	scale	PLUGGABLE PLUG,WITH HANDLE,FLANGE WITH SCREW
		dr	EVIN ZHONG 050614		dwg no
		enr	EVIN ZHONG 050614		sheet 1 of 1
		chr	HANKE FENG 050614		size
		appd	SHI JUN 050614		KKxx61x200J0G
sheet index	revision sheet	A	1		type
					CUSTOMER Drawing